

HD362-TU

HD Series

Transfer Unit driven @
515 RPM

Gas

Nitrogen and Chloroform mix
n=1.3 approx.
sg=1.6 approx.

Inlet

+2" WC
Ambient Temperature

Outlet

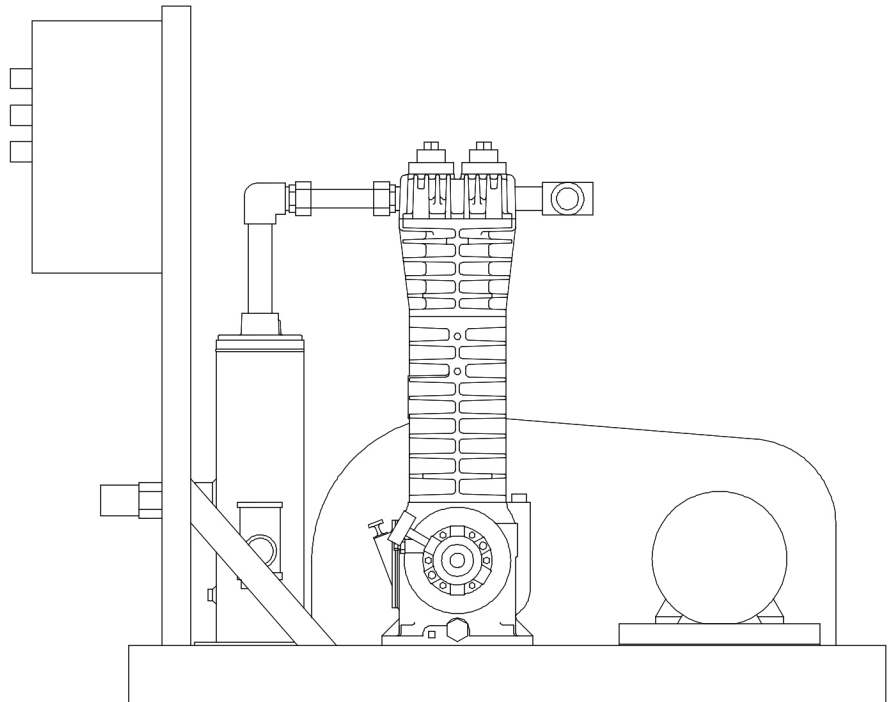
5 – 15 psig

Compressor Construction

PTFE O-rings
Iron Gaskets

Accessories

Suction strainer
Liquid trap with stainless steel float switch
High discharge pressure switch Low oil pressure switch
High discharge temperature switch with Thermowell
Control Panel with shutdown functions and lights
5HP motor. All electrical devices are NEMA 7, explosion proof.



AE90-98850-1 A

Installation Example

A chemical company in Kentucky has rail tank cars of chloroform located about 1,000 foot from a storage tank, which is blanketed with nitrogen to maintain tank pressure at 10 psig. A liquid pump transfers the chloroform liquid from the rail tank car to the storage tank at 110 gpm.

The HD362 is used to:

- 1) Recover displaced N₂/chloroform vapors from the storage tank and,
- 2) Compress them into the rail tank car providing makeup volume for the liquid being removed.

The HD362 provides pressure at the tank car thus reducing NPSH problems for the pump, and prevents excessive pressure build up in the storage tank during the transfer operation. The tank car's volume is 20,000 gal., and the storage tank is a 30,000 gal. vessel.