

BLACKMER PARTS LIST

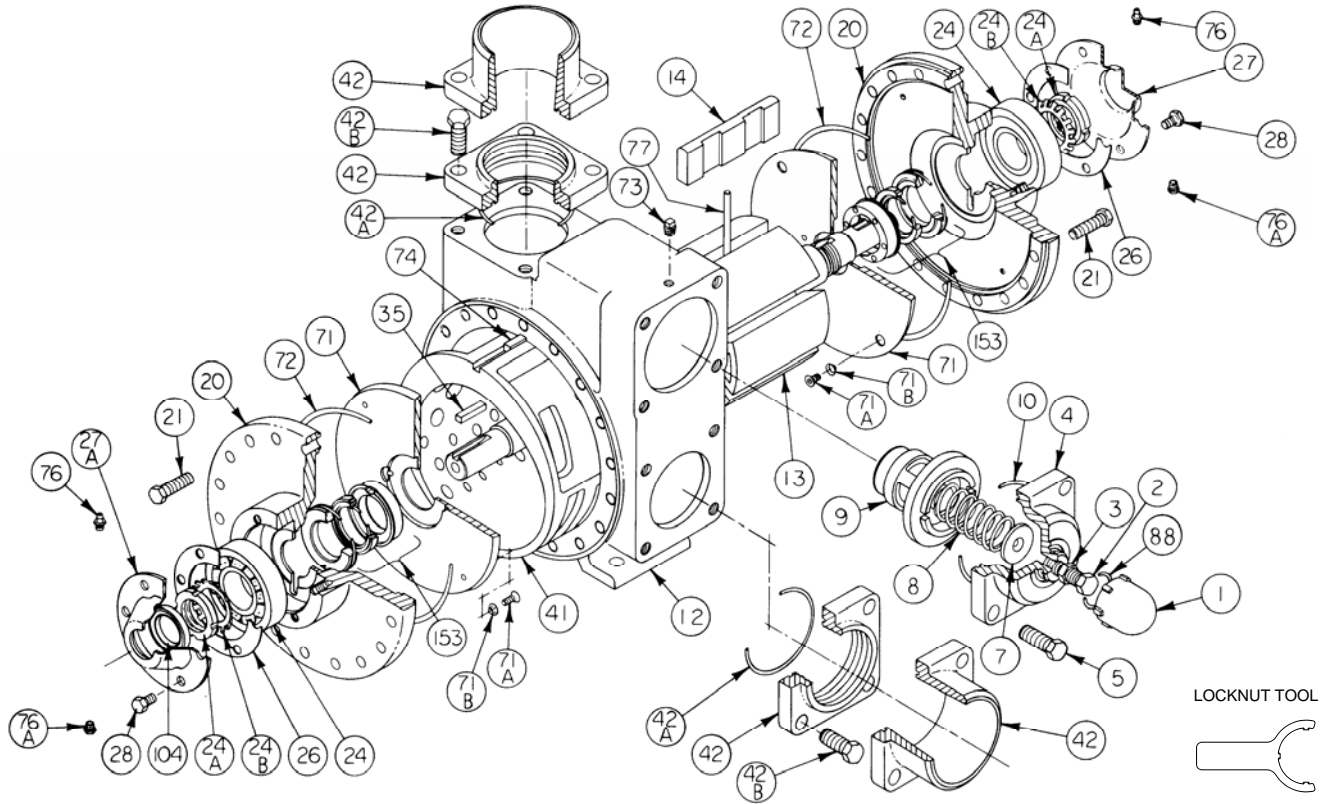
DISCONTINUED MODELS: XL4B, XL4A, XL4

April 2008: Discontinued Models, Parts Availability may be limited.

See Instructions 107-B00_oct07 for Installation, Operation and Maintenance

Section 107
Effective Mar 2008
Replaces Sept 2007

r2009oct



Ref. No.	Description	Parts per Pump	Part No.	Ref. No.	Description	Parts per Pump	Part No.
1	Cap - Relief Valve (R/V)	1	413952	28	Capscrews - Bearing Cover	12	920286
2	Adjusting Screw - R/V	1	NOTE 3	35	Key - Shaft	1	¹ 909183
3	Locknut - Adjusting Screw	1	NOTE 3	41	Liner	1	² 182000
4	Cover - R/V	1	412001	42	Flange - 3" NPT	1 - 2	652012
5	Capscrew - R/V Cover	4	920663		Flange - 3" Weld		652007
7	Spring Guide - R/V	1	426355		Flange - 4" Weld		652005
8	Spring - R/V (51 - 75 psi) (Std.)	1	NOTE 3	42A	O-Ring - Flange (FKM) (Std.)	2	¹ 701968
	Spring - R/V (76 - 125 psi)		NOTE 3		O-Ring - Flange (PTFE)		702101
	Spring - R/V (126 - 150 psi)		NOTE 3	42B	Capscrews - Weld Flange	8	920640
9	Valve - R/V	1	452001		Capscrews - NPT Flange		920663
10	O-Ring - R/V Cover (FKM) (Std.)	1	¹ 711909	71	Disc	2	² 062039
	O-Ring - R/V Cover (PTFE)		702099	71A	Machine Screw - Disc	8	² 920015
12	Casing	1	NOTE 3	71B	Lockwasher - Machine Screw	8	² 909634
13	Rotor & Shaft Assembly**	1	² 262023	72	O-Ring - Head (FKM) (Std.)	2	¹ 702106
	EC Rotor & Shaft Assembly**		262017		O-Ring - Head (PTFE)		702089
	(Both Include Ref. Nos. 24A & 24B)			73	Gage Plug	2	908198
14	Vane - Duravane (Std.)	6	¹ 092019	74	Key - Liner	1	² 182040
	Vane - EC Laminate		092029	76	Grease Fitting	2	317815
20	Head	2	⁵ 032041	76A	Grease Relief Fitting	2	701992
21	Capscrews - Head	⁵ 28-36	920532	77	Push Rods	3	¹ 122005
24	Ball Bearing (Std.)	2	¹ 903172	88	O-Ring - R/V Cap (FKM) (Std.)	1	¹ 702116
24A	Locknut - Bearing	2	² 903541		O-Ring - R/V Cap (PTFE)		702100
24B	Lockwasher - Bearing	2	¹ 903542	104	Grease Seal	1	¹ 331908
26	Gasket - Bearing Cover	2	¹ 385125		Tool - Locknut		903092
27	Bearing Cover - Outboard	1	041817		Kit - Maintenance		898965
27A	Bearing Cover - Inboard	1	041815		Kit - Rebuild		899065

¹ Included in Maintenance Kit and Rebuild Kit

² Included in Rebuild Kit Note 3 - See Table on other side for proper parts.

⁵ See note on opposite side. EC = Extra Clearance

Keep this parts list with Installation, Operation and Maintenance Instructions.

MECHANICAL SEALS

Ref. No.	Part Name	Parts Per Pump	Part No.
153*	Mechanical Seal Complete - (Std.) Hardened Steel Stationary Seat, Carbon Seal Face, FKM O-Rings. (SVCV)	2	¹ 332054
	Mechanical Seal Complete - Hardened Steel Stationary Seat, PTFE O-Ring, Carbon Seal Face w/ PTFE Seal Ring. (SACT)		332073
	Mechanical Seal Complete - Silicon Carbide Stationary Seat, PTFE O-Ring, Carbon Seal Face w/ PTFE Seal Ring. (LACT)		332049
	Mechanical Seal Complete - Silicon Carbide Stationary Seat, Carbon Seal Face, FKM O-Rings. (LVCV)		332048
153A**	Stationary Seat (Hardened Steel)	2	332005
	Stationary Seat (Silicon Carbide)		332047
153B**	Rotating Seal Face (Carbon)	2	331867
153C**	Jacket Assembly	2	331886
153D	O-Ring - Stationary (FKM)	2	701921
	O-Ring - Stationary (PTFE)		702056
153E	O-Ring - Rotating (FKM)	2	701962
	Seal Ring - Rotating (PTFE)		701963

¹ Included in Maintenance Kit and Rebuild Kit

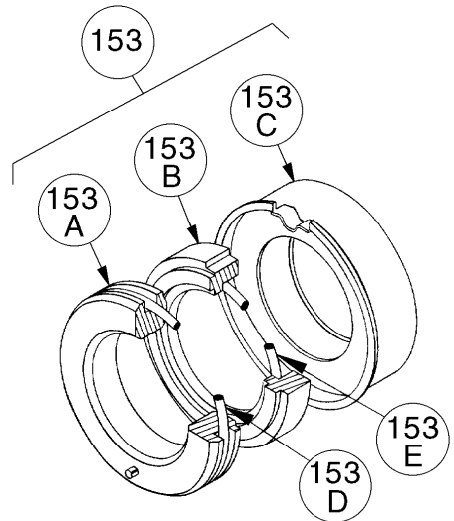
** Mechanical Seal Ref. No. 153 is only sold as a complete assembly.

Ref. Nos. 153A, 153B, 153C are not available as separate replacement parts.

Note 5 Some replacement parts will differ from those originally supplied:

Heads (20): new 032041 heads use 14 capscrews instead of 18.

New 032041 heads may be used on existing pumps, although only 14 capscrews will be used.



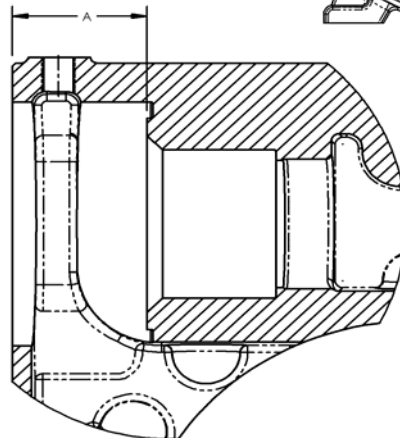
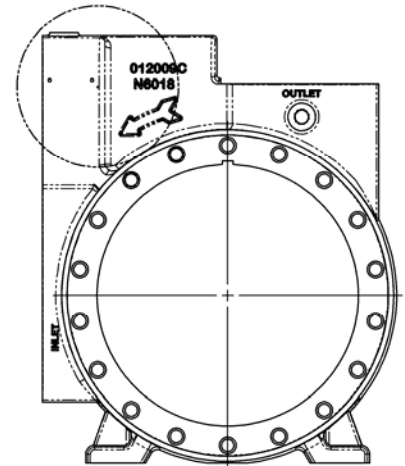
Use the table below to determine the proper parts for each model.

Ref. No	Part Name	Parts Per Pump	XL4B	Discontinued XL4, XL4A
			Part No.	Part No.
2	Adjusting Screw - R/V	1	436310	436307
3	Locknut - Adjusting Screw	1	432039	436355
8	Spring - R/V (51-75 psi)	1	472009	476309
8	Spring - R/V (76-125 psi)	1	472004	476304
8	Spring - R/V (126-150 psi)	1	472039	476305
12	Casing	1	012009	012000

Use Dimension 'A' as shown in the drawing to determine the pump model number.

The pump model number will also be shown on the nameplate.

Model	Dim 'A'	
XL4B	2.19 in.	5.56 cm.
XL4, XL4A	1.75 in.	4.45 cm.



1809 Century Avenue, Grand Rapids, Michigan 49503-1530, U.S.A.

Telephone: (616) 241-1611 / Fax: (616) 241-3752

E-Mail: blackmer@blackmer.com / Internet: www.blackmer.com

Parts List 107-B02

Page 2 of 2