

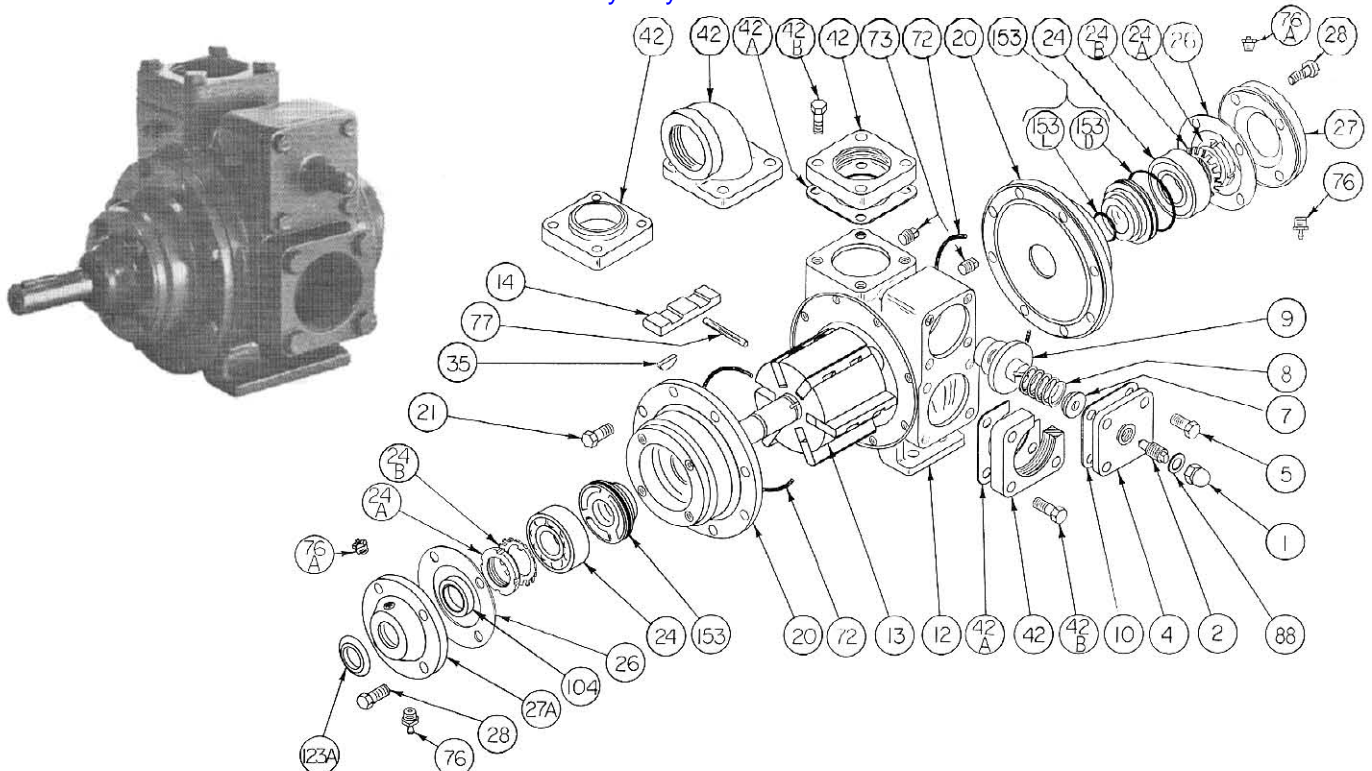
BLACKMER PUMP PARTS LIST

MODELS: X2½A, XS2½A

(See Instructions 185/C for Operation and Maintenance)
 Discontinued Models. Parts availability may be limited.

960217
PARTS LIST NO. 185/C11

Section | 100
 Effective | September 1993
 Replaces | November 1988



REF. NO.	PART NAME	PARTS PER PUMP	PART NO.	REF. NO.	PART NAME	PARTS PER PUMP	PART NO.
1	Cap - Relief Valve (R/V)	1	411452	24B	Lockwasher - Bearing	2	*903522
2	Adjusting Screw - Relief Valve	1	431401	26	Gasket - Bearing Cover	2	*383940#
4	Cover - Relief Valve	1	411607	27	Bearing Cover - Outboard	1	041433
5	Capscrew - R/V Cover	4	920316	27A	Bearing Cover - Inboard	1	041431
7	Spring Guide - R/V	1	423955	28	Capscrews - Bearing Cover	8	920285
8	Spring - R/V (35-40 psi)	1	471606	35	Key - Shaft	1	*909130
	Spring - R/V (41-50 psi)		471608	42	Flange - 2" NPT (Std.)	1-2	651603
	Spring - R/V (51-110 psi) (Std.)		*471631		Flange - 2½" NPT		651611
	Spring - R/V (111-125 psi) (Std.)		471614		Flange - 2½" Weld		651608
	SS Spring - R/V (41-50 psi) (XS)		471610		Flanged Elbow - 2" NPT		651607
	SS Spring - Valve (51-110 psi) (XS)		471632		Flanged Elbow - 2½" NPT		651609
	SS Spring - Valve (111-125 psi) (XS)		471615		42A		Gasket - Flange (Std.)
9	Valve - R/V (35-50 psi)	1	451609	42B	Capscrews - 2" NPT Flange (Std.), 2" NPT Elbow, 2½" NPT Elbow	4-8	920471
	Valve - R/V (51-125 psi) (Std.)		*451623		Capscrews - 2½" NPT Flange		920532
	Valve - R/V (35-125 psi) (Nickel Plated)		451624		Capscrews - 2½" Weld Flange		920491
10	Gasket - R/V Cover	1	*531603#	72	O-Ring - Head (Buna-N) (Std.)	2	*701947#
12	Cylinder - Pump	1	021605		O-Ring - Head (Viton)		701914
13	Rotor & Shaft Assembly (Includes Ref. Nos. 24A & 24B)	1	261667		73		O-Ring - Head (Teflon)
	EC Rotor & Shaft Assembly (Includes Ref. Nos. 24A & 24B)		261669	Gage Plug		2	908198
14	Vane - Duravane (Std.)	6	091619	76	Grease Fitting	2	317815
	Vane - Bronze		091624	76A	Grease Relief Fitting	2	701992
	Vane - Cast Iron		091621	77	Push Rod	3	*121607
	Vane - Laminate		091629	88	Gasket - R/V Cap	1	*701981#
	Vane - EC Laminate		091627	104	Grease Seal	1	*331918#
20	Head	2	031425	123A	Dirt Shield	1	701480
21	Capscrews - Head	16	920331		Pump Repair Kit (XS)		871172
24	Ball Bearing	2	*903156		Gasket Repair Kit		891455
24A	Locknut - Bearing	2	903521				

* Parts Included in Pump Repair Kit.

Parts Included in Gasket Repair Kit.

NOTE: Viton and Teflon are Registered Trademarks of E.I. DuPont.

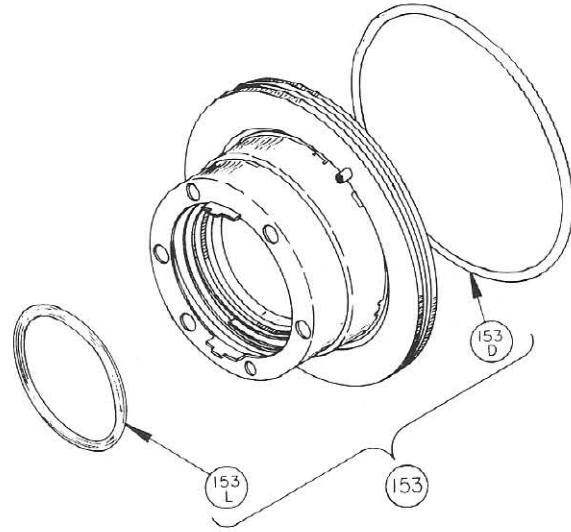
PARTS LIST NO. 185/C12

X2½ - MECHANICAL SEAL - STANDARD

REF. NO.	PART NAME	PARTS PER PUMP	PART NO.
153	Mechanical Seal Complete, Cast Iron Stationary Seat, Carbon Seal Face, Buna-N O-Rings.	2	331601
153D	O-Ring - Stationary (Buna-N)	2	701934
153L	O-Ring - Rotating (Buna-N)	2	701922

X2½ - MECHANICAL SEAL - OPTIONAL

REF. NO.	PART NAME	PARTS PER PUMP	PART NO.
153	Mechanical Seal Complete, Cast Iron Stationary Seat, Bronze Seal Face, Buna-N O-Rings.	2	331604
153D	O-Ring - Stationary (Buna-N)	2	701934
153L	O-Ring - Rotating (Buna-N)	2	701922



XS2½ - MECHANICAL SEAL - STANDARD

REF. NO.	PART NAME	PARTS PER PUMP	PART NO.
153	Mechanical Seal Complete, Cast Iron Stationary Seat, Buna-N O-Ring, Carbon Seal Face with Teflon Seal Ring.	2	*331602
153D	O-Ring - Stationary (Buna-N)	2	701934
153L	Seal Ring - Rotating (Teflon)	2	**

XS2½ - MECHANICAL SEAL - OPTIONAL

REF. NO.	PART NAME	PARTS PER PUMP	PART NO.
153	Mechanical Seal Complete, SS Stationary Seat, Carbon Seal Face, Viton O-Rings	2	331654
153D	O-Ring - Stationary (Viton)	2	701921
153L	O-Ring - Rotating (Viton)	2	701980

XS2½ - MECHANICAL SEAL - OPTIONAL

REF. NO.	PART NAME	PARTS PER PUMP	PART NO.
153	Mechanical Seal Complete, SS Stationary Seat, Buna-N O-Ring, Carbon Seal Face with Teflon Seal Ring.	2	331650
153D	O-Ring - Stationary (Buna-N)	2	701934
153L	Seal Ring - Rotating (Teflon)	2	**

XS2½ - MECHANICAL SEAL - OPTIONAL

REF. NO.	PART NAME	PARTS PER PUMP	PART NO.
153	Mechanical Seal Complete, Cast Iron Stationary Seat, Bronze Seal Face, Viton O-Rings.	2	331623
153D	O-Ring - Stationary (Viton)	2	701921
153L	O-Ring - Rotating (Viton)	2	701980

XS2½ - MECHANICAL SEAL - OPTIONAL

REF. NO.	PART NAME	PARTS PER PUMP	PART NO.
153	Mechanical Seal Complete, Cast Iron Stationary Seat, Carbon Seal Face, Viton O-Rings.	2	331655
153D	O-Ring - Stationary (Viton)	2	701921
153L	O-Ring - Rotating (Viton)	2	701980

XS2½ - MECHANICAL SEAL - OPTIONAL

REF. NO.	PART NAME	PARTS PER PUMP	PART NO.
153	Mechanical Seal Complete, Cast Iron Stationary Seat, Teflon O-Ring, Carbon Seal Face with Teflon Seal Ring.	2	331673
153D	O-Ring - Stationary (Teflon)	2	702056
153L	Seal Ring - Rotating (Teflon)	2	**

* Parts Included in Pump Repair Kit.

** Teflon Seal Ring is not available as a separate part.

blackmer

A DOVER RESOURCES COMPANY

1809 Century Avenue, Grand Rapids, Michigan 49509, U.S.A.
 (616) 241-1611 • Telex: 4320148 • Fax: (616) 241-3752