

BLACKMER PUMP PARTS LIST

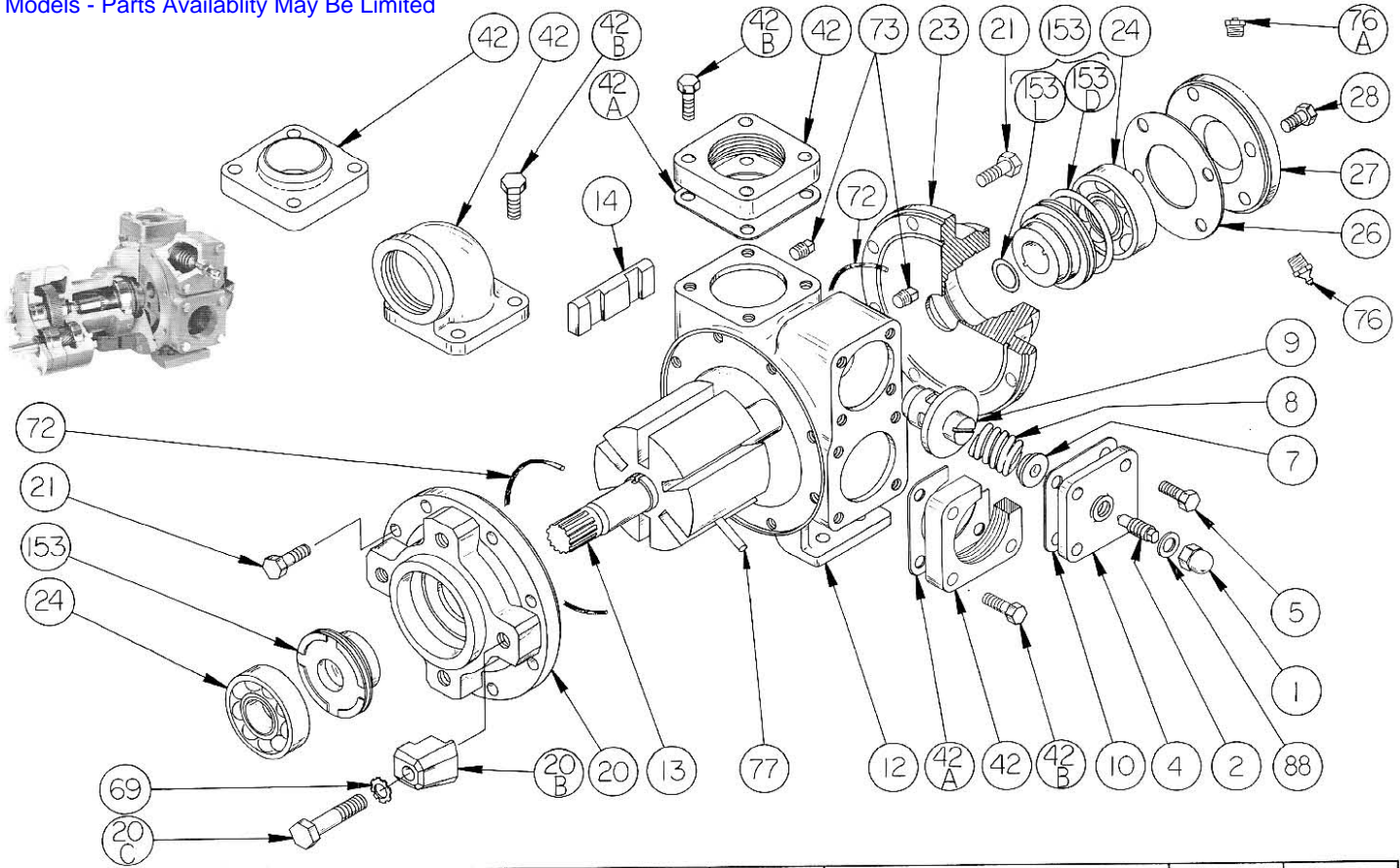
MODELS: GX2½A, GXS2½A

(See Instructions 185/C for Operation and Maintenance)

Obsolete Models - Parts Availability May Be Limited

960213
PARTS LIST NO. 185/C3

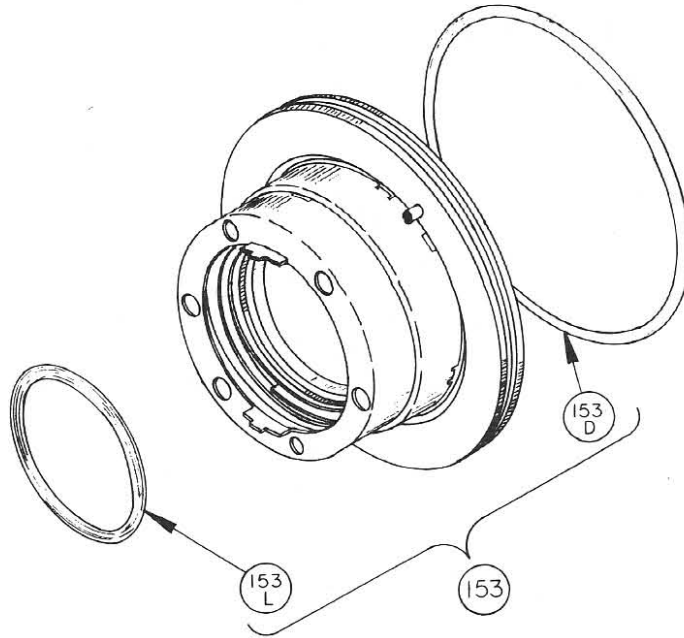
Section 100
Effective January 1991
Replaces November 1988



REF. NO.	PART NAME	PARTS PER PUMP	PART NO.	REF. NO.	PART NAME	PARTS PER PUMP	PART NO.	
1	Cap - Relief Valve (R/V)	1	411452	20C	Capscrews - Clamp	4	920547	
2	Adjusting Screw - R/V	1	431401	21	Capscrews - Head	16	920331	
4	R/V Cover	1	411607	23	Head - Outboard	1	031425	
5	Capscrew - R/V Cover	4	920316	24	Ball Bearing	2	*903156	
7	Spring Guide - R/V	1	423955	26	Gasket - Bearing Cover	1	*383940#	
8	Spring - R/V (35-40 psi)	1	471606	42	27	Bearing Cover	1	041433
	Spring - R/V (41-50 psi)		471608		28	Capscrews - Bearing Cover	4	920285
	Spring - R/V (51-110 psi) (Std.)		*471631			Flange - 2" NPT	1 - 2	651603
	Spring - R/V (111-125 psi)		471614			Flange - 2½" NPT		651611
	SS Spring - R/V (41-50 psi)(GXS)		471610			Flange - 2½" Weld		651608
	SS Spring - R/V (51-110 psi)(GXS)		471632			Flanged Elbow - 2" NPT		651607
SS Spring - R/V (111-125 psi)(GXS)	471615		Flanged Elbow - 2½"	651609				
9	Valve - R/V (35-50 psi)	1	451609	42A	Gasket - Flange	2	*381403#	
	Valve - R/V (51-125 psi)(Std.)		*451623	42B	Capscrew - 2" NPT Flange, 2" NPT Elbow, 2½" NPT Elbow	4 - 8	920471	
	Valve - R/V (Nickel Plated)		451624		Capscrew - 2½" NPT Flange	920532		
10	Gasket - R/V Cover	1	*531603#		Capscrew - 2½" Weld Flange	920491		
12	Cylinder	1	021605	69	Lockwasher - Clamp	4	909630	
13	Rotor & Shaft	1	221650		O-Ring - Head (Buna-N)(Std.)	2	*701947#	
14	Vane - Duravane (Std.)	6	*091619	72	O-Ring - Head (Viton)		701914	
	Vane - Bronze		091622		O-Ring - Head (Teflon)		702091	
	Vane - EC Bronze		091624	73	Gage Plug	908195		
	Vane - Cast Iron		091623	76	Grease Fitting	317815		
	Vane - EC Cast Iron		091621	76A	Grease Relief Fitting	701992		
	Vane - Laminate		091629	77	Push Rod	*121607		
Vane - EC Laminate	091627	88	Gasket - R/V Cap	*701981#				
20	Head - Inboard	1	031427		Gasket Repair Kit	891455		
20B	Clamp	4	834001		Pump Repair Kit GX(S)	871172		

* Parts Included in Pump Repair Kit. # Parts Included in Gasket Repair Kit. Note: Viton and Teflon are Registered Trademarks of E.I. DuPont.

MECHANICAL SEAL



GX2½ - MECHANICAL SEAL - STANDARD

REF. NO.	PART NAME	PARTS PER PUMP	PART NO.
153	Mechanical Seal Complete, Cast Iron Stationary Seat, Carbon Seal Face, Buna-N O-Rings.	2	331601
153D	O-Ring - Stationary (Buna-N)	2	701934
153L	O-Ring - Rotating (Buna-N)	2	701922

GXS2½ - MECHANICAL SEAL - OPTIONAL

REF. NO.	PART NAME	PARTS PER PUMP	PART NO.
153	Mechanical Seal Complete, Cast Iron Stationary Seat, Bronze Seal Face, Viton O-Rings.	2	331623
153D	O-Ring - Stationary (Viton)	2	701921
153L	O-Ring - Rotating (Viton)	2	701980

GX2½ - MECHANICAL SEAL - OPTIONAL

REF. NO.	PART NAME	PARTS PER PUMP	PART NO.
153	Mechanical Seal Complete, Cast Iron Stationary Seat, Bronze Seal Face, Buna-N O-Rings.	2	331604
153D	O-Ring - Stationary (Buna-N)	2	701934
153L	O-Ring - Rotating (Buna-N)	2	701922

GXS2½ - MECHANICAL SEAL - OPTIONAL

REF. NO.	PART NAME	PARTS PER PUMP	PART NO.
153	Mechanical Seal Complete, SS Stationary Seat, Carbon Seal Face, Viton O-Rings.	2	331654
153D	O-Ring - Stationary (Viton)	2	701921
153L	O-Ring - Rotating (Viton)	2	701980

GXS2½ - MECHANICAL SEAL - STANDARD

REF. NO.	PART NAME	PARTS PER PUMP	PART NO.
153	Mechanical Seal Complete, Cast Iron Stationary Seat, Buna-N O-Ring, Carbon Seal Face with Teflon Seal Ring.	2	*331602
153D	O-Ring - Stationary (Buna-N)	2	701934
153L	Seal Ring - Rotating (Teflon)	2	**

GXS2½ - MECHANICAL SEAL - OPTIONAL

REF. NO.	PART NAME	PARTS PER PUMP	PART NO.
153	Mechanical Seal Complete, SS Stationary Seat, Buna-N O-Ring, Carbon Seal Face with Teflon Seal Ring.	2	331650
153D	O-Ring - Stationary (Buna-N)	2	701934
153L	Seal Ring - Rotating (Teflon)	2	**

GXS2½ - MECHANICAL SEAL - OPTIONAL

REF. NO.	PART NAME	PARTS PER PUMP	PART NO.
153	Mechanical Seal Complete, Cast Iron Stationary Seat, Carbon Seal Face, Viton O-Rings.	2	331655
153D	O-Ring - Stationary (Viton)	2	701921
153L	O-Ring - Rotating (Viton)	2	701980

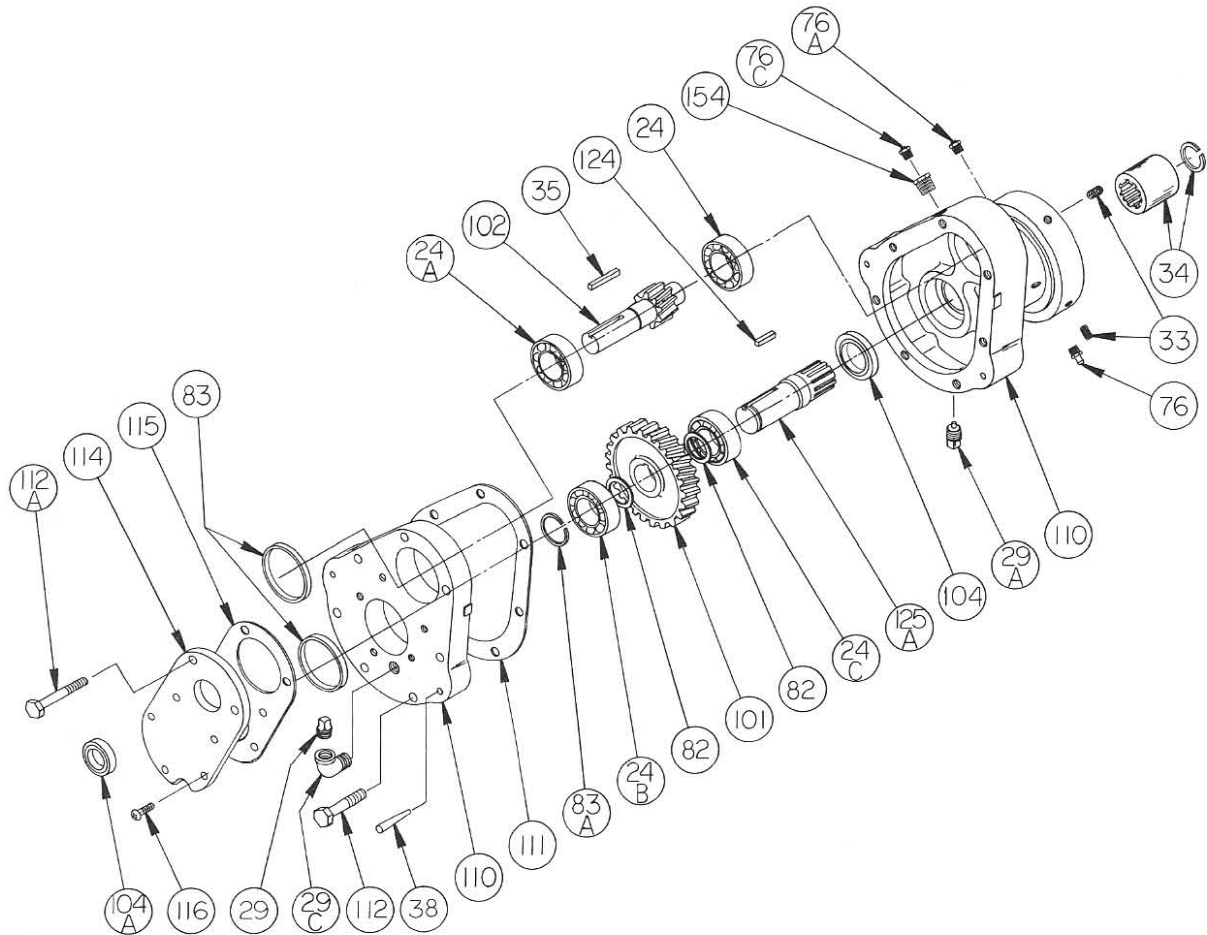
GXS2½ - MECHANICAL SEAL - OPTIONAL

REF. NO.	PART NAME	PARTS PER PUMP	PART NO.
153	Mechanical Seal Complete, Cast Iron Stationary Seat, Teflon O-Ring, Carbon Seal Face with Teflon Seal Ring.	2	331673
153D	O-Ring - Stationary (Teflon)	2	702056
153L	Seal Ring - Rotating (Teflon)	2	**

* Parts Included in Pump Repair Kit.

** Teflon Seal Ring is not available as a separate part.

HELICAL GEAR REDUCER MODEL: HRO



REF. NO.	PART NAME	PARTS PER UNIT	PART NO.	REF. NO.	PART NAME	PARTS PER UNIT	PART NO.
24	Bearing	1	903142	83A	Retaining Ring	1	903603
24A	Bearing - Shielded	1	903143	101	Gear	1	See Table
24B	Bearing	1	903116	102	Pinion & Shaft	1	See Table
24C	Bearing - Shielded	1	903117	104	Oil Seal	1	331925
29	Oil Level Plug	1	908185	104A	Oil Seal	1	331906
29A	Drain Plug	1	908105	110	Body & Cover Assembly (Includes Ref. Nos. 38, 111, & 112)	1	894041
29C	1/8" Street Elbow	1	908561	111	Gasket - Cover	1	814040
33	Set Screw	2	922190	112	Capscrews - Cover	5	920230
34	Splined Coupling (Includes Snap Ring)	1	906072	112A	Capscrews - Cover	2	920241
35	Key - Pinion	1	909166	114	Closure Plate	1	824041
38	Taper Pin	2	930095	115	Gasket - Closure Plate	1	814041
76	Grease Fitting	1	317815	116	Capscrews - Closure Plate	5	922765
76A	Grease Relief & Vent Fitting	1	701992	124	Key - Splined Shaft	1	909164
76C	Fill & Vent Plug	1	701988	125A	Splined Shaft (GX Models)	1	704050
82	Spacer Ring	2	374041	154	Bushing	1	908794
83	Retaining Ring	2	374043				

GEAR AND PINION SELECTION TABLE

RATIO	RPM	102 PINION NO.	QTY	101 GEAR NO.	QTY
2.24	780	915118	1	919918	1
2.72	640	915116	1	919916	1
3.32	520	915117	1	919917	1
4.10	420	915120	1	919920	1
4.94	350	915121	1	919921	1

NOTE: Speed is based on 1750 rpm input.

blackmer

A **DOVER** RESOURCES COMPANY

1809 Century Avenue, Grand Rapids, Michigan 49509 U.S.A.
Telephone: (616) 241-1611 • Fax: (616) 241-3752