

BLACKMER PUMP PARTS LIST

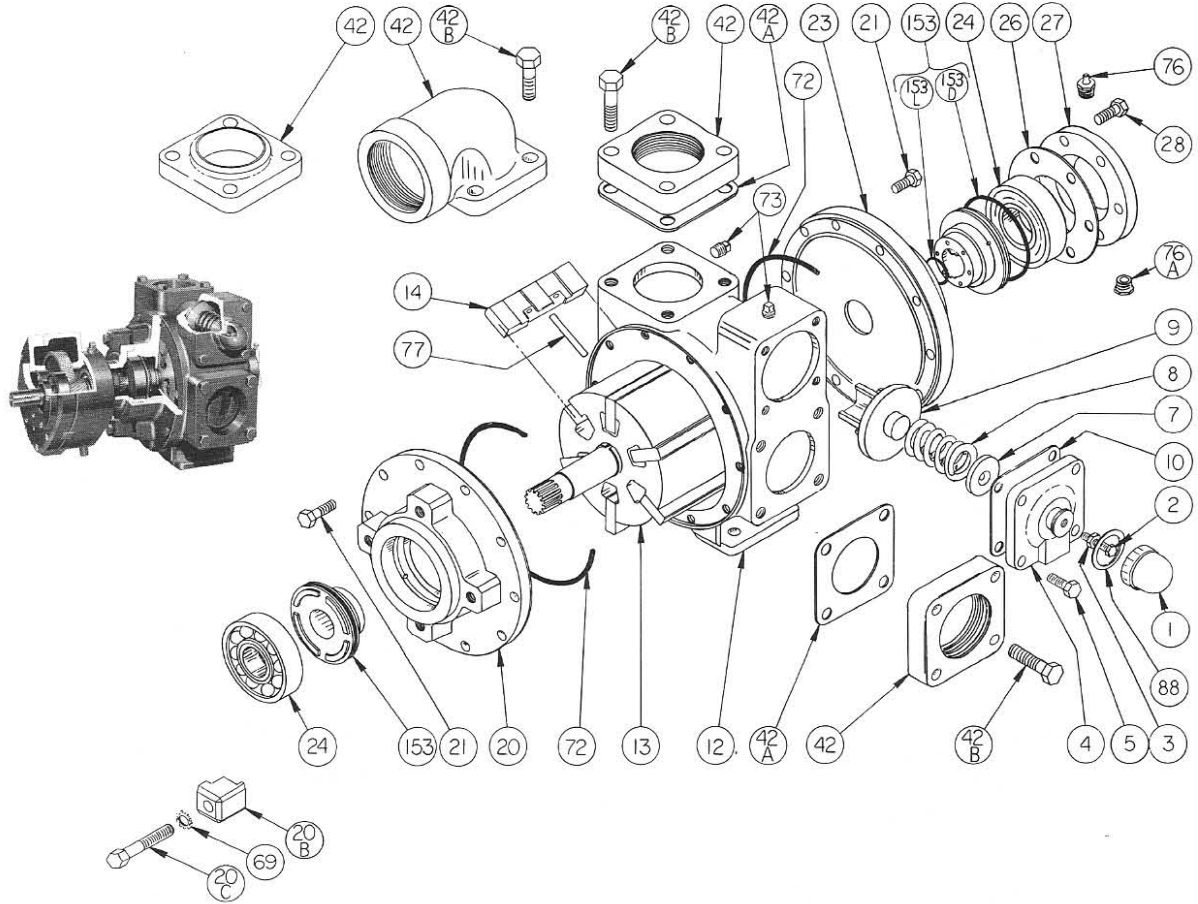
MODELS: GX3C, GXS3C

(See Instructions 185/C for Operation and Maintenance)

Obsolete Models - Parts Availability May Be Limited

960214
PARTS LIST NO. 185/C5A

Section 100
Effective November 1988
Replaces September 1974



REF. NO.	PART NAME	PARTS PER PUMP	PART NO.	REF. NO.	PART NAME	PARTS PER PUMP	PART NO.
1	Cap - Relief Valve (R/V)	1	413952	20B	Clamp	4	834001
2	Adjusting Screw - R/V	1	431808	20C	Capscrews - Clamp	4	920547
3	Locknut - Adjusting Screw	1	922923	21	Capscrews - Head	20	920369
4	Cover - R/V	1	411807	23	Head - Outboard	1	031807
5	Capscrew - R/V Cover	4	920331	24	Ball Bearing	2	*903172
7	Spring Guide - R/V	1	421805	26	Gasket - Bearing Cover	1	*385125#
8	Spring - R/V (30-35 psi)	1	471804	27	Bearing Cover	1	041817
	Spring - R/V (36-50 psi)		471805	28	Capscrews - Bearing Cover	6	920285
	Spring - R/V (51-110 psi)		*471806		Flange - 3" NPT		651803
	Spring - R/V (111-125 psi)		471809	42	Flange - 3" Weld	1 - 2	655106
	SS Spring - R/V (36-50 psi)(GX(S))		471815		Flanged Elbow - 3" NPT		651805
	SS Spring - R/V (51-110 psi)(GX(S))		471807	42A	Gasket - Flange	2	*381811#
	SS Spring - R/V (111-125 psi)(GX(S))	471808	42B	Capscrew - NPT Flange	4 - 8	920532	
9	Valve - R/V	1	*451807		Capscrew - Weld/Elbow Flange		920510
10	Gasket - R/V Cover	1	*531803#	69	Lockwasher - Clamp	4	909630
12	Cylinder	1	021805	72	O-Ring - Head (Buna-N)(Std.)	2	*701944#
13	Rotor & Shaft	1	261851		O-Ring - Head (Viton)		711938
14	Vane - Duravane (Std.)	6	*091819	73	Gage Plug	2	908195
	Vane - Bronze		091806	76	Grease Fitting	1	317815
	Vane - EC Bronze		091804	76A	Grease Relief Fitting	1	701992
	Vane - Cast Iron		091807	77	Push Rod	3	*121807
	Vane - EC Cast Iron		091821	88	Gasket - R/V Cap	1	*533908#
	Vane - Laminate		091809		Gasket Repair Kit		891888
	Vanc - EC Laminate	091829		Pump Repair Kit GX(S)		871173	
20	Head - Inboard	1	031825				

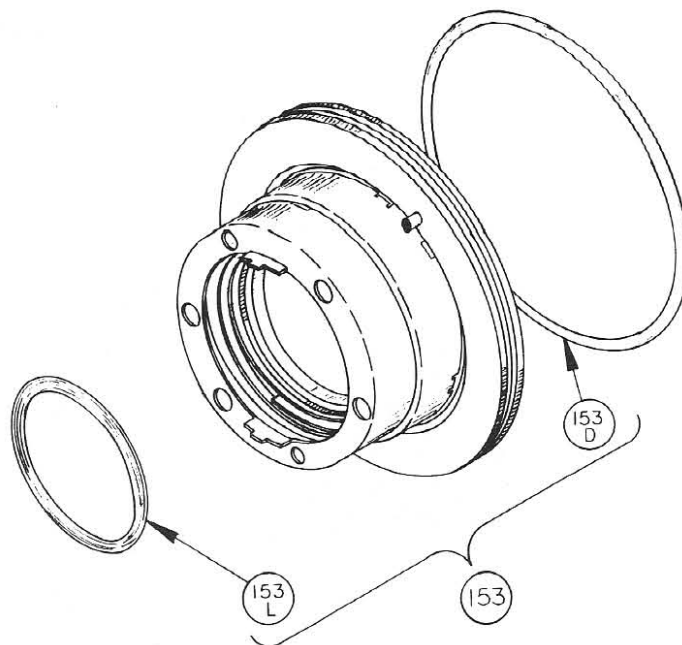
* Parts Included in Pump Repair Kit.

Parts Included in Gasket Repair Kit.

MECHANICAL SEAL

GX3 - MECHANICAL SEAL - STANDARD

REF. NO.	PART NAME	PARTS PER PUMP	PART NO.
153	Mechanical Seal Complete, Cast Iron Stationary Seat, Carbon Seal Face, Buna-N O-Rings.	2	331880
153D	O-Ring - Stationary (Buna-N)	2	701936
153L	O-Ring - Rotating (Buna-N)	2	711912



GX3 - MECHANICAL SEAL - OPTIONAL

REF. NO.	PART NAME	PARTS PER PUMP	PART NO.
153	Mechanical Seal Complete, Cast Iron Stationary Seat, Bronze Seal Face, Buna-N O-Rings.	2	331879
153D	O-Ring - Stationary (Buna-N)	2	701936
153L	O-Ring - Rotating (Buna-N)	2	711912

GXS3 - MECHANICAL SEAL - OPTIONAL

REF. NO.	PART NAME	PARTS PER PUMP	PART NO.
153	Mechanical Seal Complete, SS Stationary Seat, Carbon Seal Face, Viton O-Rings.	2	331885
153D	O-Ring - Stationary (Viton)	2	711931
153L	O-Ring - Rotating (Viton)	2	701962

GXS3 - MECHANICAL SEAL - STANDARD

REF. NO.	PART NAME	PARTS PER PUMP	PART NO.
153	Mechanical Seal Complete, Cast Iron Stationary Seat, Buna-N O-Ring, Carbon Seal Face with Teflon Seal Ring.	2	*331882
153D	O-Ring - Stationary (Buna-N)	2	701936
153L	Seal Ring - Rotating (Teflon)	2	**

GXS3 - MECHANICAL SEAL - OPTIONAL

REF. NO.	PART NAME	PARTS PER PUMP	PART NO.
153	Mechanical Seal Complete, Cast Iron Stationary Seat, Bronze Seal Face, Viton O-Rings.	2	331881
153D	O-Ring - Stationary (Viton)	2	711931
153L	O-Ring - Rotating (Viton)	2	701962

GXS3 - MECHANICAL SEAL - OPTIONAL

REF. NO.	PART NAME	PARTS PER PUMP	PART NO.
153	Mechanical Seal Complete, SS Stationary Seat, Buna-N O-Ring, Carbon Seal Face with Teflon Seal Ring.	2	331884
153D	O-Ring - Stationary (Buna-N)	2	701936
153L	Seal Ring - Rotating (Teflon)	2	**

GXS3 - MECHANICAL SEAL - OPTIONAL

REF. NO.	PART NAME	PARTS PER PUMP	PART NO.
153	Mechanical Seal Complete, Cast Iron Stationary Seat, Viton O-Ring, Carbon Seal Face with Teflon Seal Ring.	2	331872
153D	O-Ring - Stationary (Viton)	2	711931
153L	Seal Ring - Rotating (Teflon)	2	**

GXS3 - MECHANICAL SEAL - OPTIONAL

REF. NO.	PART NAME	PARTS PER PUMP	PART NO.
153	Mechanical Seal Complete, Cast Iron Stationary Seat, Carbon Seal Face, Viton O-Rings.	2	331883
153D	O-Ring - Stationary (Viton)	2	711931
153L	O-Ring - Rotating (Viton)	2	701962

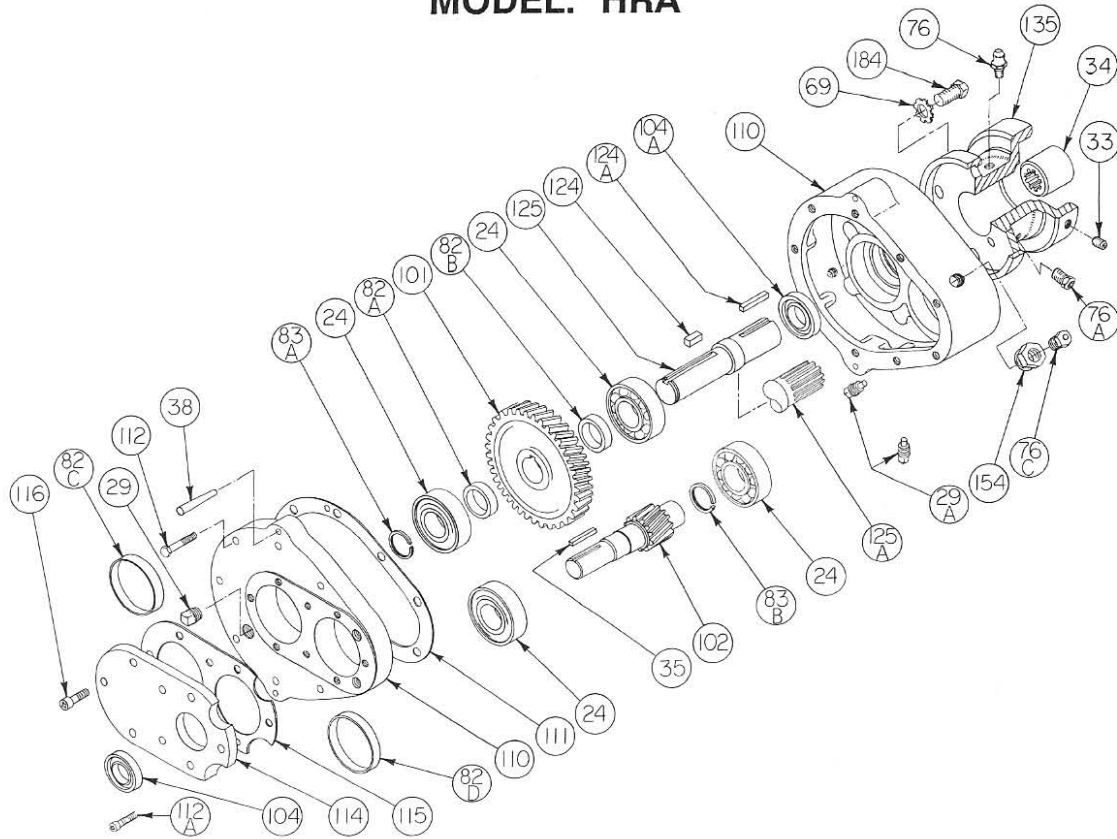
GXS3 - MECHANICAL SEAL - OPTIONAL

REF. NO.	PART NAME	PARTS PER PUMP	PART NO.
153	Mechanical Seal Complete, SS Stationary Seat, Viton O-Ring, Carbon Seal Face with Teflon Seal Ring.	2	331848
153D	O-Ring - Stationary (Viton)	2	711931
153L	Seal Ring - Rotating (Teflon)	2	**

* Parts Included in Pump Repair Kit.

** Teflon Seal Rings are not available as a separate part.

HELICAL GEAR REDUCER MODEL: HRA



REF. NO.	PART NAME	PARTS PER UNIT	PART NO.	REF. NO.	PART NAME	PARTS PER UNIT	PART NO.
24	Bearing	4	903150	101	Gear	1	See Table
29	Oil Level Plug	1	908185	102	Pinion & Shaft	1	See Table
29A	Drain Plug	2	908105	104	Oil Seal	1	331910
33	Set Screw	2	922190	104A	Oil Seal	1	331923
34	Splined Coupling (Includes Snap Ring)	1	906077	110	Body & Cover Assembly (Includes Ref. Nos. 38, 111, 112 & 112A)	1	894001
35	Key - Pinion	1	909177	111	Gasket - Cover	1	814000
38	Taper Pin	2	930160	112	Capscrews - Cover	7	920235
69	Lockwasher - Spool	4	909630	112A	Capscrews - Cover	2	920233
76	Grease Fitting	1	317815	114	Closure Plate	1	824002
76A	Grease Relief Fitting	1	701992	115	Gasket - Closure Plate	1	814002
76C	Fill & Vent Plug	1	701988	116	Capscrews - Closure Plate	8	922754
82A	Spacer Ring		See Table	124	Key - Splined Shaft	1	909175
82B	Spacer Ring	1	See Table	125A	Splined Shaft (GX Models)	1	704010
82C	Spacer Ring		See Table	135	Spool	1	834010
82D	Spacer Ring		See Table	154	Bushing	1	908794
83A	Retaining Ring	0 - 1	See Table	184	Capscrew - Spool	4	920316
83B	Retaining Ring		See Table				

GEAR AND PINION SELECTION TABLE

RATIO	RPM	102 PINION NO.	QTY	101 GEAR NO.	QTY	SPACERS						RETAINING RINGS					
						82A	QTY	82B	QTY	82C	QTY	82D	QTY	83A	QTY	83B	QTY
2.24	780	915131	1	919931	1	374002	1	374002	1	374003	1	374003	1	903618	1	NONE	-
2.76	640	915125	1	919928	1	374002	1	374002	1	374003	1	374003	1	903618	1	NONE	-
3.40	520	915126	1	919929	1	374002	1	374002	1	374003	1	374003	1	903618	1	NONE	-
4.19	420	915127	1	919930	1	374002	1	374002	1	374003	1	374003	1	903618	1	NONE	-
5.06	350	915132	1	919932	1	374001	1	374004	1	374003	1	NONE	1	903618	1	903618	1
6.27	280	915133	1	919933	1	374001	1	374004	1	374003	1	NONE	1	903618	1	903618	1
7.65	230	915122	1	919922	1	374001	1	374004	1	374003	1	NONE	1	903618	1	903618	1

NOTE: Speed is based on 1750 rpm input.

blackmer pump / A  **RESOURCES COMPANY**

1809 Century Avenue, Grand Rapids, Michigan 49509, U.S.A. • (616) 241-1611 • Telex: 4320148 • Fax: (616) 241-3752