

BLACKMER PUMP PARTS LIST

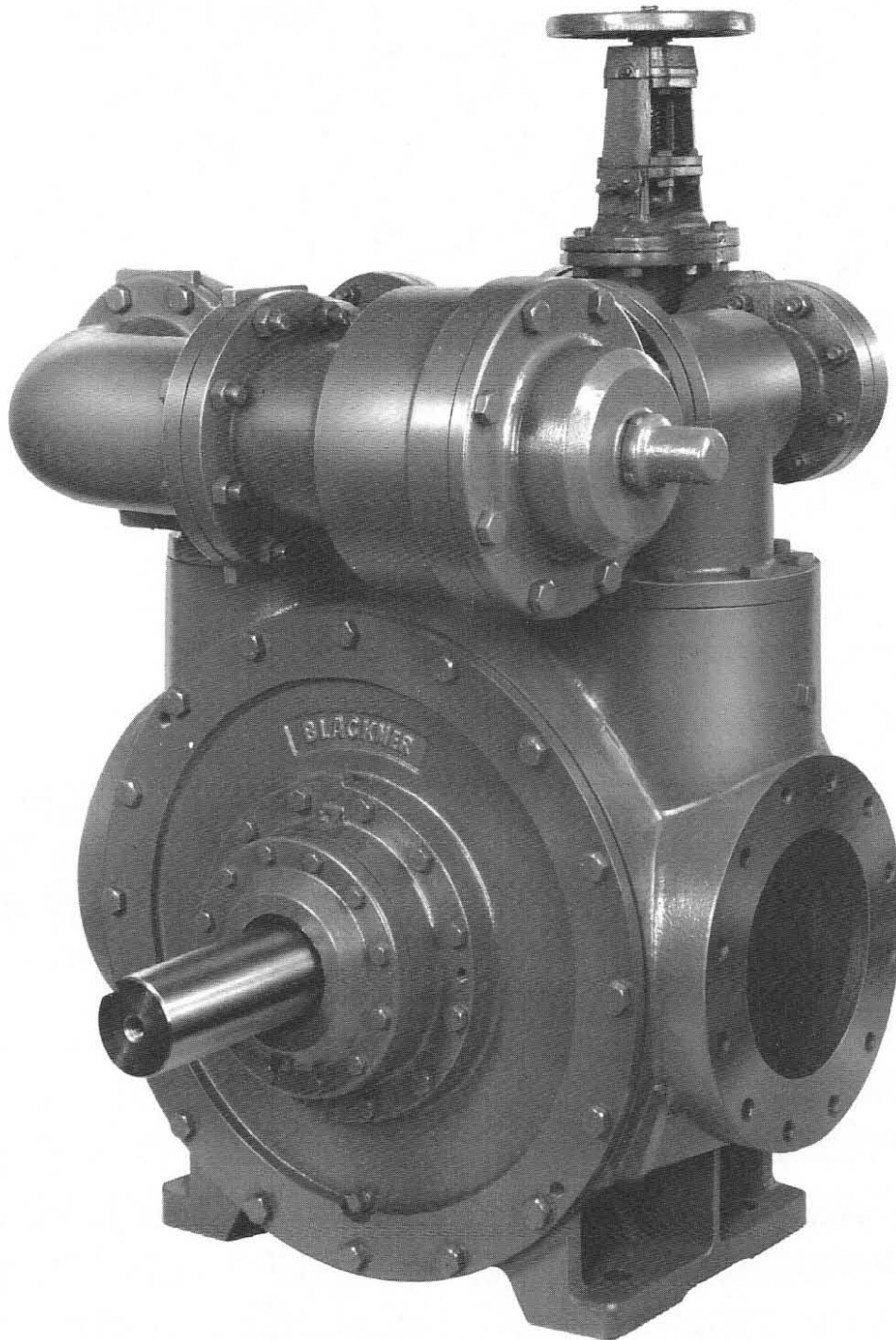
MODEL: HXL10E

NOTE: "E" model suffix indicates Viton replaces Buna-N as the standard elastomer.
(See Instructions 185/EE for Operation and Maintenance)

967604
PARTS LIST NO. 185/E 15

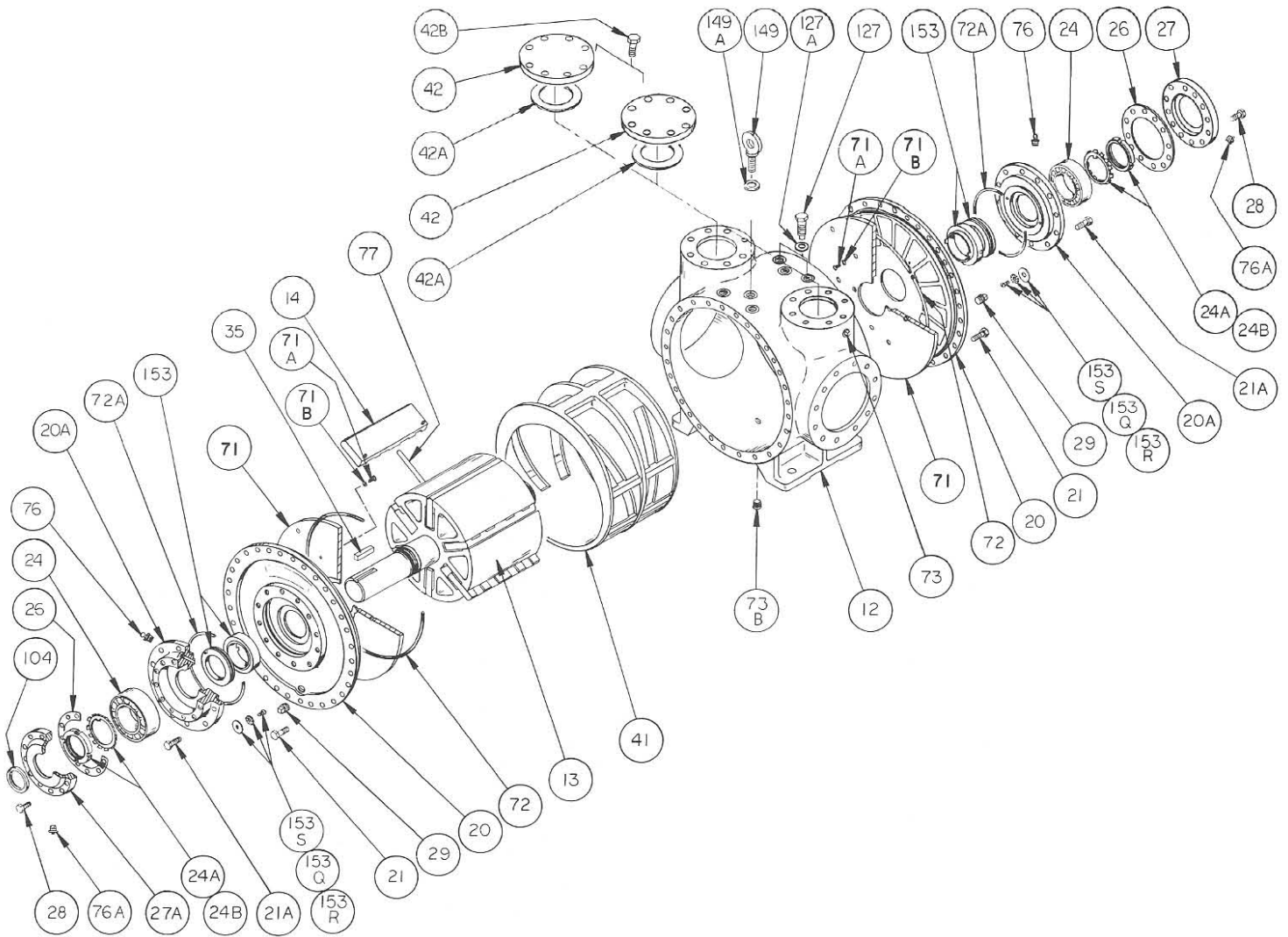
Section	100
Effective	October 1995
Replaces	June 1995

Discontinued Models. Parts Availability May be Limited.



IMPORTANT NOTE: This parts list should be kept with Installation, Operation and Maintenance Instructions 185/EE.

PUMP PARTS LIST



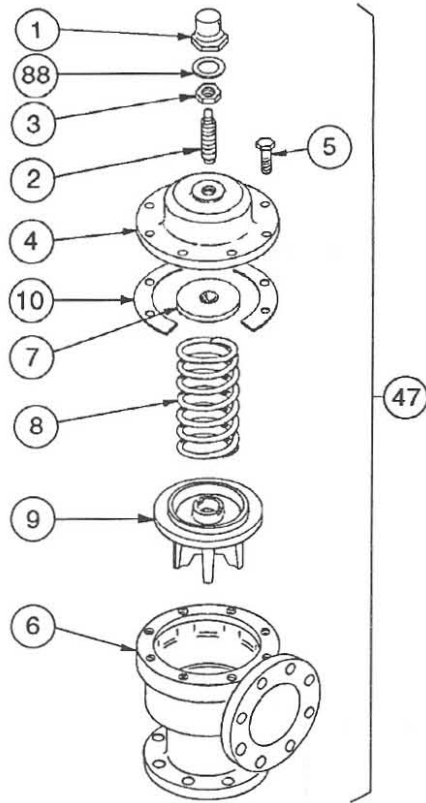
REF. NO.	PART NAME	PARTS PER PUMP	PART NO.	REF. NO.	PART NAME	PARTS PER PUMP	PART NO.
12	Casing	1	017601	42A	Gasket - Blanking Flange / R/V	2	387511
13	FS Rotor & Shaft	1	287611	42B	Capscrews - Blanking Flange / R/V	16	920780
	EC Rotor & Shaft		287615	71	Disc	2	067660
14	Vane - Polyvane (Std.)	6	097615	71A	Retaining Screw - Disc	12	920200
	Vane - EC Laminate		097626	71B	Lockwasher - Disc Retaining Screw	12	909643
	Vane - EC Cast Iron		097607	72	O-Ring - Head (Buna-N)	2	711951
	Vane - EC Bronze		097608		O-Ring - Head (Viton) (Std.)		711954
20	Head	2	037660	72A	O-Ring - Hub (Buna-N)	2	711952
20A	Hub	2	037661		O-Ring - Hub (Viton)		711953
21	Capscrews - Head	32	920781	73	Gage Plug	2	908235
21A	Capscrews - Hub	24	920640	73B	Drain Plug (3/4" NPT)	1	908223
24	Bearing	2	903141	76	Grease Fitting	2	317815
24A	Locknut - Bearing	2	903538	76A	Grease Relief Fitting	2	701992
24B	Lockwasher - Bearing	2	903539	77	Push Rods	3	127601
26	Gasket - Bearing Cover	2	387652	104	Grease Seal	1	331905
27	Bearing Cover - Outboard	1	047607	127	Retaining Screw - Liner	4	920792
27A	Bearing Cover - Inboard	1	047605	127A	Gasket - Liner Retaining Screw	4	387603
28	Capscrews - Bearing Cover	24	920510	149	Eyebolt	2	922601
29	Drain Plug	2	908225	149A	Gasket - Eyebolt	2	387603
35	Key - Shaft	1	909220	153Q	Retaining Screw - Seal	4	922764
41	Liner - Casing	1	187601	153R	Washer - Seal Retaining Screw	4	909627
42	Blanking Flange	1 - 2	657879	153S	Lockwasher - Seal Retaining Screw	4	909619

FS = Full Size.

EC = Extra-Clearance.

NOTE: Viton and Teflon are Registered Trademarks of E.I. DuPont.

OPTIONAL EXTERNAL RELIEF VALVE¹



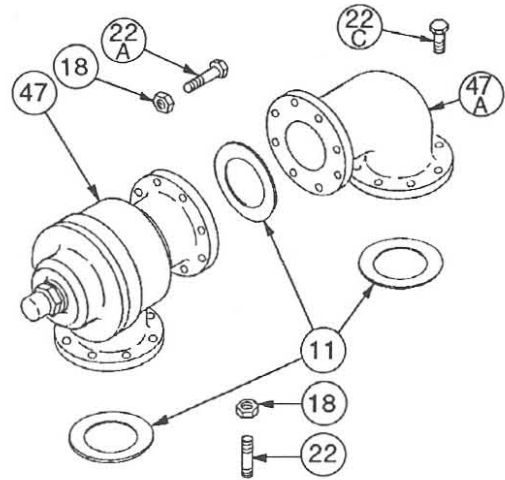
REF. NO.	PART NAME	PARTS PER PUMP	PART NO.
1	Cap - Relief Valve (R/V)	1	417710
2	Adjusting Screw - R/V	1	437205
3	Locknut - Adjusting Screw	1	436655
4	Cover - R/V	1	417600
5	Capscrews - R/V Cover	8	920761
6	Body - R/V	1	407600
7	Spring Guide - R/V	1	427250
8	Spring - R/V (35-50 psi)	1	477250
	Spring - R/V (51-100 psi)		477251
	Spring - R/V (101-150 psi)		*
9	Valve - R/V	1	457250
10	Gasket - R/V Cover	1	537250
47	Relief Valve Assembly - Complete	—	—
88	Gasket - R/V Cap	1	536652

* Use Springs 477250 and 477251 nested together.

NOTES:

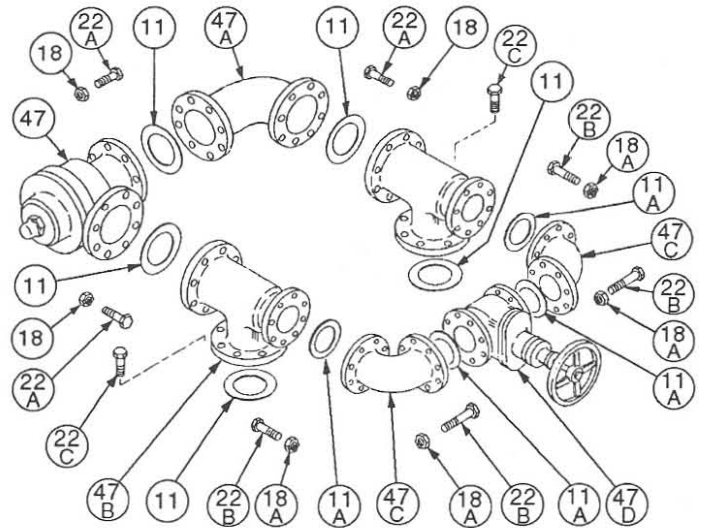
- Optional External Relief Valve** - relieves pressure back to source or upstream piping.
- Optional Internal Relief Valve** (typical design) - relieves pressure back to pump inlet.
- Optional Relief Valve / Manual Bypass** - Relief valve relieves pressure back to pump inlet; manual bypass valve, in parallel with relief valve, recirculates fluid back to suction to reduce flow and pressure.

OPTIONAL INTERNAL RELIEF VALVE²



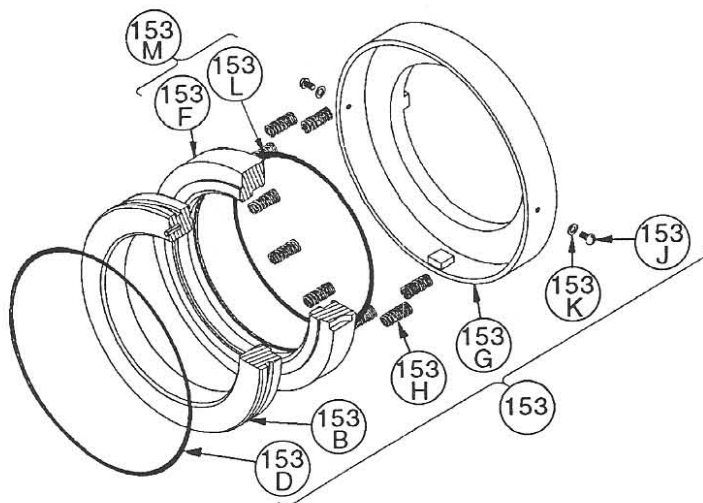
REF. NO.	PART NAME	PARTS PER PUMP	PART NO.
11	Gasket - Flange / R/V	3	387511
18	Nut	10	922875
22	Stud	2	921649
22A	Capscrews	8	920811
22C	Capscrews	14	920780
47A	Elbow Flange	1	908677

OPTIONAL RELIEF VALVE / MANUAL BYPASS VALVE ASSEMBLY³



REF. NO.	PART NAME	PARTS PER PUMP	PART NO.
11	Gasket - Flange	5	387511
11A	Gasket - Flange	4	386911
18	Nut	24	922875
18A	Nut	32	922865
22A	Capscrews	24	920819
22B	Capscrews	32	920720
22C	Capscrews	16	920780
47A	Elbow Flange	1	908677
47B	Reducing Tee	2	908678
47C	Elbow	2	908676
47D	Gate Valve	1	908067

MECHANICAL SEAL



MECHANICAL SEAL - STANDARD

REF. NO.	PART NAME	PARTS PER PUMP	PART NO.
153	Mechanical Seal Assy. (RVCV)	2	337665
153B	Stationary Seat (Ni-Resist)	2	337605
153D	O-Ring - Stationary (Viton)	2	711934
153F	Rotating Seal Face (Carbon)	2	337610
153G	Seal Jacket	2	337630
153H	Seal Springs	24	337716
153J	Screw - Seal Jacket	4	922740
153K	Lockwasher - Seal Jacket	4	909608
153L	O-Ring - Rotating (Viton)	2	711932

MECHANICAL SEAL - OPTIONAL

REF. NO.	PART NAME	PARTS PER PUMP	PART NO.
153	Mechanical Seal Assy. (RNCN)	2	337660
153B	Stationary Seat (Ni-Resist)	2	337605
153D	O-Ring - Stationary (Buna-N)	2	711903
153F	Rotating Seal Face (Carbon)	2	337610
153G	Seal Jacket	2	337630
153H	Seal Springs	24	337716
153J	Screw - Seal Jacket	4	922740
153K	Lockwasher - Seal Jacket	4	909608
153L	O-Ring - Rotating (Buna-N)	2	701945

MECHANICAL SEAL - OPTIONAL

REF. NO.	PART NAME	PARTS PER PUMP	PART NO.
153	Mechanical Seal Assy. (RVBV)	2	337664
153B	Stationary Seat (Ni-Resist)	2	337605
153D	O-Ring - Stationary (Viton)	2	711934
153F	Rotating Seal Face (Bronze)	2	337612
153G	Seal Jacket	2	337630
153H	Seal Springs	24	337716
153J	Screw - Seal Jacket	4	922740
153K	Lockwasher - Seal Jacket	4	909608
153L	O-Ring - Rotating (Viton)	2	711932

MECHANICAL SEAL - OPTIONAL

REF. NO.	PART NAME	PARTS PER PUMP	PART NO.
153	Mechanical Seal Assy. (RVCT)	2	337661
153B	Stationary Seat (Ni-Resist)	2	337605
153D	O-Ring - Stationary (Viton)	2	711934
153G	Seal Jacket	2	337630
153H	Seal Springs	24	337716
153J	Screw - Seal Jacket	4	922740
153K	Lockwasher - Seal Jacket	4	909608
153M	Rotating Seal Face & Seal Ring Assembly (Carbon/Teflon)	2	337644

blackmer

A **DOVER** RESOURCES COMPANY

1809 Century Avenue, Grand Rapids, Michigan 49509 U.S.A.
 Telephone: (616) 241-1611 • Fax: (616) 241-3752