

BLACKMER PUMP PARTS LIST

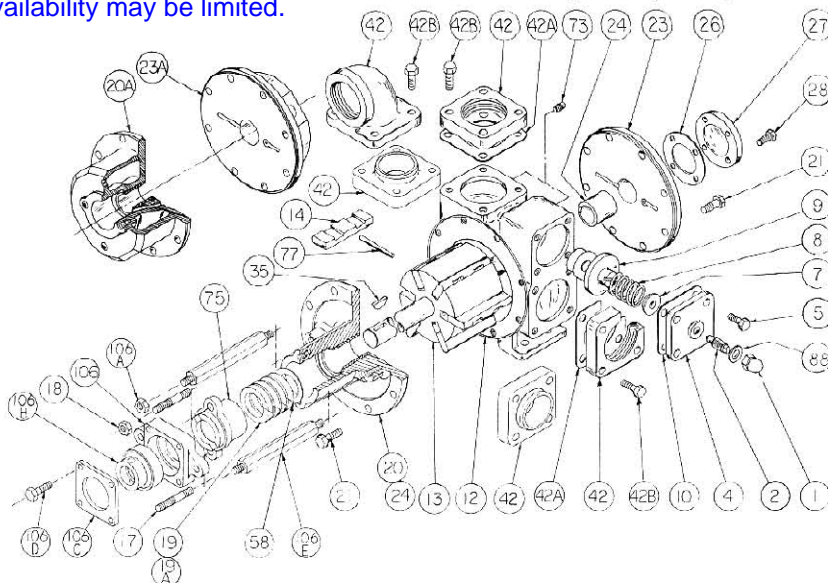
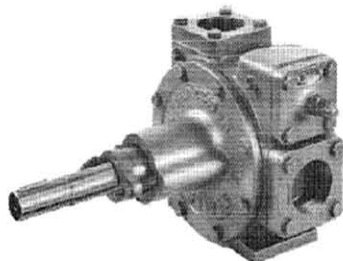
960243
PARTS LIST NO. 185/F5

MODELS: NP2½, NPJ2½

(See Instructions 185/F for Operation and Maintenance)

Discontinued Models. Parts availability may be limited.

Section 100
Effective November 1988
Replaces August 1978



REF. NO.	PART NAME	PARTS PER PUMP	PART NO.	REF. NO.	PART NAME	PARTS PER PUMP	PART NO.
1	Cap - Relief Valve (R/V)	1	411452	23	Head & Bushing Asy. - Outboard	1	031653
2	Adjusting Screw - R/V	1	431401	23A	Head & Bushing Asy. - Outboard (Jacketed)	1	031657
4	Cover - R/V	1	411607	24	Sleeve Bearing	2	161600
5	Capscrew - R/V Cover	4	920316	26	Gasket - Bearing Cover	1	381815#
7	Spring Guide - R/V	1	423955	27	Bearing Cover	1	041821
8	Spring - R/V (35-40 psi)	1	471606	28	Capscrews - Bearing Cover	4	920178
	Spring - R/V (41-50 psi)		471608	35	Key - Shaft (1 1/8")	1	909130
	Spring - R/V (51-110 psi) (Std.)		471631		Key - Shaft (1 1/16")	1	909135
	Spring - R/V (111-150 psi)		471614	42	Flange - 2" NPT	1 - 2	651603
	SS Spring - R/V (41-50 psi) 1		471610		Flange - 2 1/2" NPT		651611
	SS Spring - R/V (51-110 psi) 1		471632		Flange - 2 1/2" Weld		651608
	SS Spring - R/V (111-150 psi) 1		471615		Flanged Elbow - 2" NPT		651607
9	Valve - R/V (51-150 psi) (Std.)	1	451623	42A	Flanged Elbow - 2 1/2" NPT	651609	
	Valve - R/V (35-50 psi)		451609		Gasket - Flange (Fiber)	2	381403#
10	Gasket - R/V Cover (Composition)	1	531650#		Gasket - Flange (Composition)		381650#
12	Cylinder	1	021605	42B	Capscrew - NPT Flange	4 - 8	920471
13	Rotor & Shaft (NP - Std.) (1 1/8" X 13")	1	261619		Capscrew - Flanged Elbow		920532
	EC Rotor & Shaft (NPJ - Std.) (1 1/8" X 13") 3		261621		Capscrew - 2 1/2" Flanged Elbow		920471
	Rotor & Shaft (1 1/16" X 15 3/4") 2		261623		Capscrew - Weld Flange		920491
	EC Rotor & Shaft (1 1/16" X 15 3/4") 2,3		261625	73	Gage Plug	2	908195
14	Vane - Duravane (Std. - NP)	6	091619	77	Push Rod	3	121607
	Vane - Laminate		091629	88	Gasket - R/V Cap	1	701981#
	Vane - Cast Iron		091623		Shaft Support Bearing Kit 4		891669
	Vane - Bronze		091622	106	Flange - Bearing	1	652251
	Vane - EC Laminate 3		091627	106A	Locknut - Bearing Flange	2	922428
	Vane - EC Cast Iron 3		091621	106B	Bearing & Collar Asy.	1	903123
	Vane - EC Bronze (Std. - NPJ) 3		091624	106C	Cover - Bearing Flange	1	651853
20	Head & Bushing Asy. - Inboard	1	031652	106D	Capscrews - Bearing Flange	4	920178
20A	Head & Bushing Asy. - Inboard (Jacketed)	1	031656	106E	Rod - Flange	2	652252
21	Capscrews - Head	16	920331		Gasket Repair Kit		891457

1 Optional Stainless Steel Spring (Over 300°F/149°C).

Parts included in Gasket Repair Kit.

2 Used for V-Belt drive. A commercial shaft support bearing must be added.

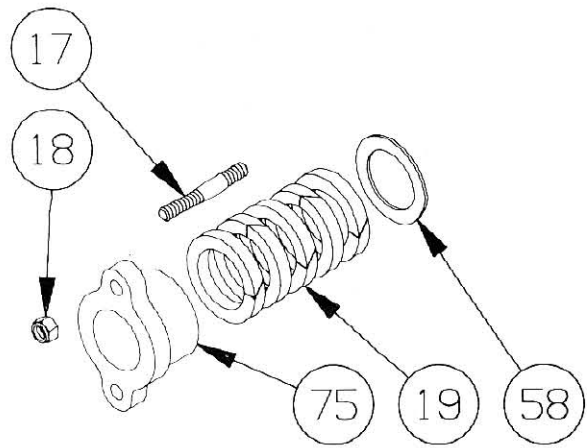
3 Use for viscosities over 20,000 SSU (4250 Cs), and/or jacket option. (Indicated by markings on outboard shaft ends and on vanes).

4 Use with 1 1/8" shaft only.

PARTS LIST NO. 185/F6

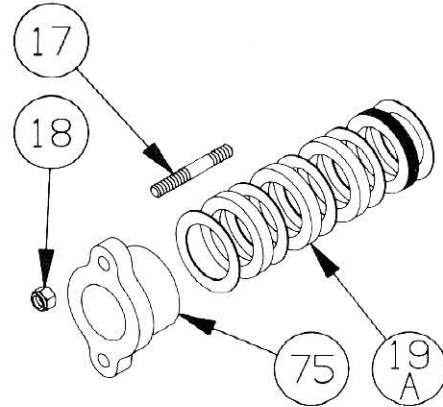
NP(J)2½ - PACKING - STANDARD

REF. NO.	PART NAME	PARTS PER PUMP	PART NO.
17	Stud - Packing Follower	2	921450
18	Nut - Packing Follower Stud	2	922428
19	Packing	1	325176
58	Pack Washer	1	355107
75	Packing Follower	1	141803



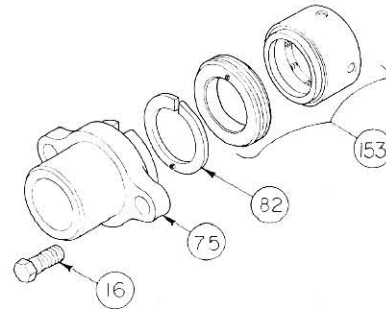
NP(J)2½ - TEFLON LIP SEAL - OPTIONAL

REF. NO.	PART NAME	PARTS PER PUMP	PART NO.
17	Stud - Packing Follower	2	921450
18	Nut - Packing Follower Stud	2	922428
19A	Lip Seal	1	331678
75	Packing Follower	1	141803



NP(J)2½ - MECHANICAL SEAL - OPTIONAL

REF. NO.	PART NAME	PARTS PER PUMP	PART NO.
16	Capscrew - Seal Follower	2	920316
75	Follower - Seal	1	141803
82	Spacer Assembly	1	371803
153	Mechanical Seal - (Crane #9)	1	331849



OPTIONAL PARTS FOR SHEAR SENSITIVE LIQUIDS - NP2½ MODEL
(Must be used as a group)

REF. NO.	PART NAME	PARTS PER PUMP	PART NO.
13	Rotor & Shaft (1½" X 13")	1	261600
14	Vane - EC Iron	6	091621
20	Head & Bushing Asy. - Inboard	1	031654
23	Head & Bushing Asy. - Outboard	1	031655

OPTIONAL PARTS FOR SHEAR SENSITIVE LIQUIDS - NPJ2½ MODEL
(Must be used as a group)

REF. NO.	PART NAME	PARTS PER PUMP	PART NO.
13	Rotor & Shaft (1½" X 13")	1	261600
14	Vane - EC Iron	6	091621
20	Head & Bushing Asy. - Inboard	1	031658
23	Head & Bushing Asy. - Outboard	1	031659