

BLACKMER PUMP PARTS LIST

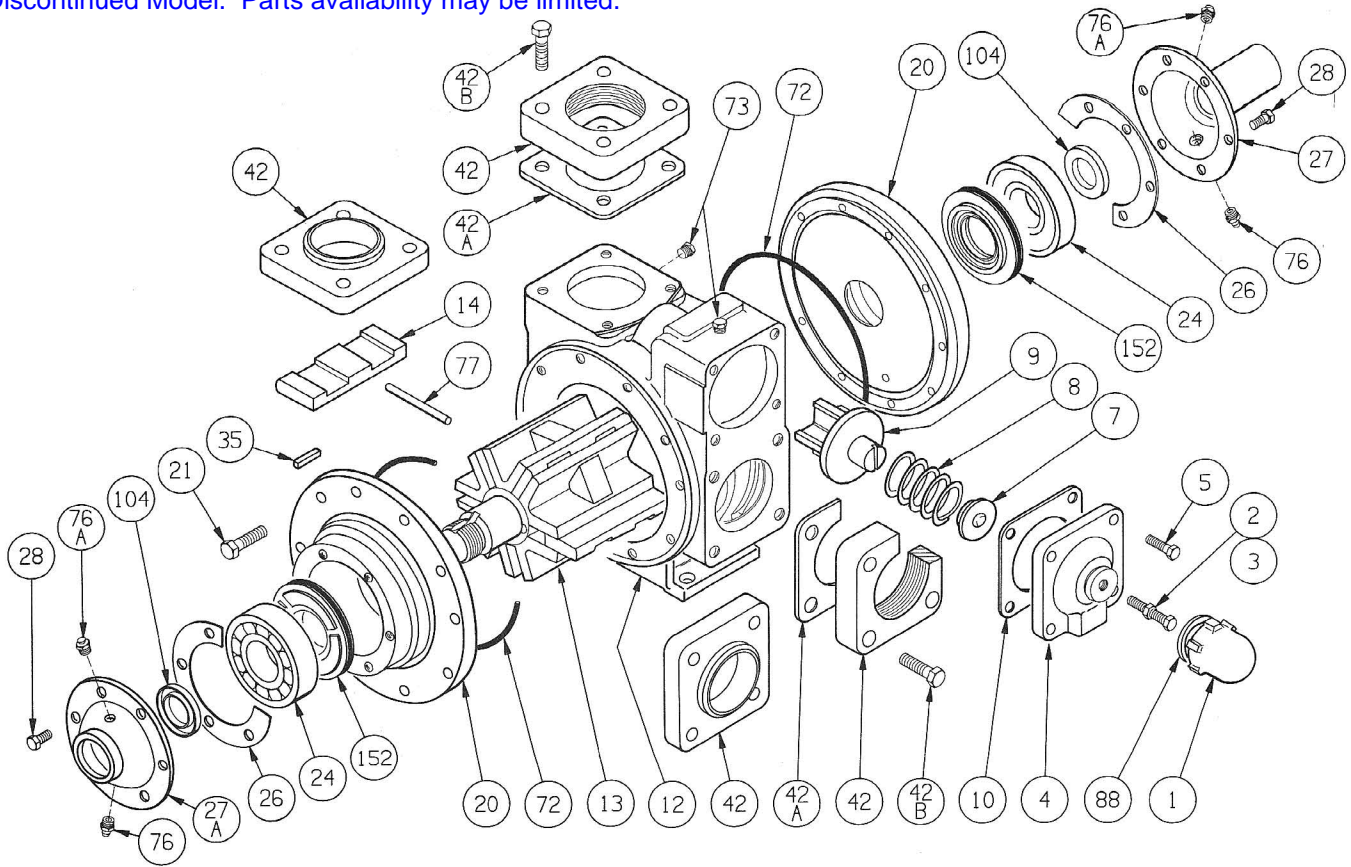
MODEL: TXV3

(See Instructions 285/C for Operation and Maintenance)

961807
PARTS LIST NO. 285/C19

Section	200
Effective	October 1993
Replaces	New

Discontinued Model. Parts availability may be limited.



REF. NO.	PART NAME	PARTS PER PUMP	PART NO.	REF. NO.	PART NAME	PARTS PER PUMP	PART NO.
1	Cap - Relief Valve (R/V)	1	413952	24	Ball Bearing	2	903172
2	Adjusting Screw - R/V	1	431808	26	Gasket - Bearing Cover	2	381817
3	Locknut - Adjusting Screw	1	922923	27	Bearing Cover - Outboard	1	341800
4	Cover - R/V	1	411807	27A	Bearing Cover - Inboard	1	041815
5	Capscrew - R/V Cover	4	920331	28	Capscrews - Bearing Cover	12	920285
7	Spring Guide - R/V	1	421805	35	Key - Shaft	1	909178
8	Spring - R/V (51-110 psi)(Std.)	1	471806	42	Flange - 3" NPT (Std.)	2	651803
	Spring - R/V (111-125 psi)		471809	Flange - 3" Weld	655106		
	SS Spring - R/V (51-110 psi) ¹		471807	42A	Gasket - Flange	2	381816
	SS Spring - R/V (111-125 psi) ¹		471808	42B	Capscrew - NPT Flange	8	920532
9	Valve - R/V (Std.)	1	451807	Capscrew - Weld Flange			920510
	Valve - R/V (Nickel Plated)		451808	72	O-Ring - Head (Viton) (Std.)	2	711938
10	Gasket - R/V Cover	1	531803		O-Ring - Head (Teflon)		702233
12	Cylinder	1	021805	73	Gage Plug	2	908198
13	Rotor & Shaft - Double Ended	1	261824	76	Grease Fitting	2	317815
14	Vane - Bronze (Std.)	6	091804	76A	Grease Relief Fitting	2	701992
	Vane - Cast Iron		091821	77	Push Rod	3	121807
	Vane - Duravane		091819	88	Gasket - R/V Cap	1	533908
	Vane - Laminate		091829	104	Grease Seal	2	331908
20	Head with Drain (Std.)	2	031815	152	Lip Seal Assembly	2	See Backside
21	Capscrews - Head	20	920369				

¹ Stainless Steel Spring

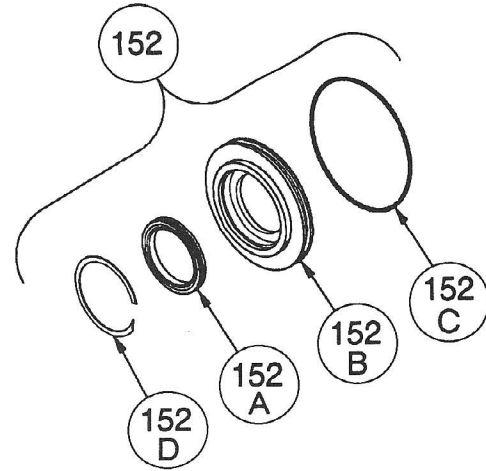
Viton and Teflon are Registered Trademarks of E.I. DuPont.

IMPORTANT NOTE: This parts list should be kept with Installation, Operation and Maintenance Instructions 285/C.

PARTS LIST NO. 285/C20

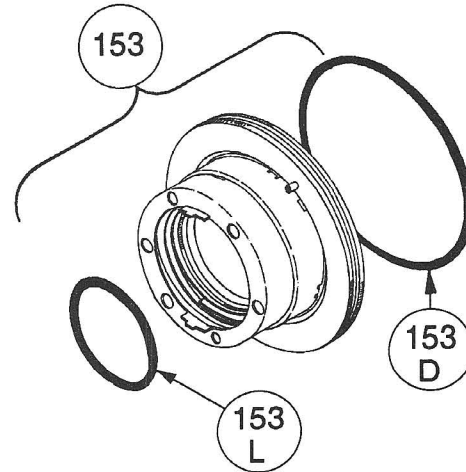
LIP SEAL - STANDARD

REF. NO.	PART NAME	PARTS PER PUMP	PART NO.
152	Lip Seal Complete - Lip Seal, Housing w/ Viton O-Ring. (Std.)	2	331852
	Lip Seal Complete - Lip Seal, Housing w/ Teflon O-Ring.		331875
152A	Lip Seal	2	331856
152B	Housing - Lip Seal	2	331857
152C	O-Ring - Housing (Viton)	2	711931
	O-Ring - Housing (Teflon)		702080
152D	Retaining Ring - Lip Seal	2	903561



MECHANICAL SEAL - OPTIONAL

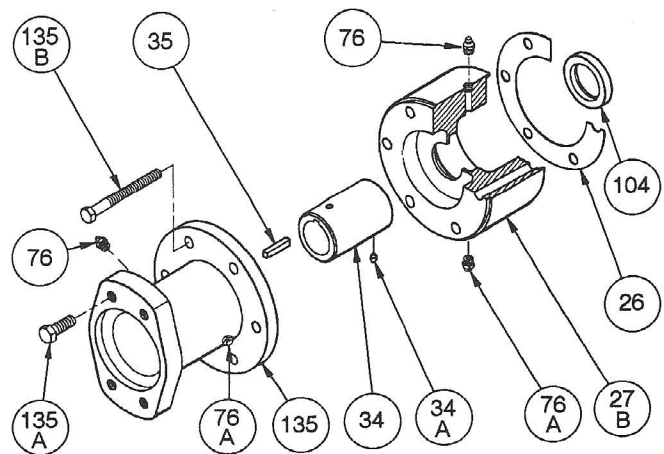
REF. NO.	PART NAME	PARTS PER PUMP	PART NO.
153	Mechanical Seal Complete - Cast Iron Stationary Seat, Carbon Seal Face, Viton O-Rings.	2	331883
	Mechanical Seal Complete - Cast Iron Stationary Seat, Teflon O-Ring, Carbon Seal Face w/ Teflon Seal Ring.		331873
153D	O-Ring - Stationary (Viton)	2	711931
	O-Ring - Stationary (Teflon)		702080
153L	O-Ring - Rotating (Viton)	2	701962
	Seal Ring - Rotating (Teflon)		**



** Teflon Rotating Seal Ring is not available as a separate part.

OPTIONAL HYDRAULIC ADAPTER PARTS

REF. NO.	PART NAME	PARTS PER PUMP	PART NO.
26	Gasket - Bearing Cover	1	385125
27B	Bearing Cover	1	835137
34	Coupling	1	906926
34A	Setscrew - Coupling	1	922075
35	Key - Coupling	1	909184
76	Grease Fitting	2	317815
76A	Grease Relief Fitting	2	701992
104	Grease Seal	1	331908
135	Hydraulic Motor Adapter	1	041801
135A	Capscrew - Adapter/Motor	4	920457
135B	Capscrew - Adapter/Bearing Cover	6	920438



blackmer

A **DOVER** RESOURCES COMPANY

1809 Century Avenue, Grand Rapids, Michigan 49509, U.S.A.
 (616) 241-1611 • Telex: 4320148 • Fax: (616) 241-3752