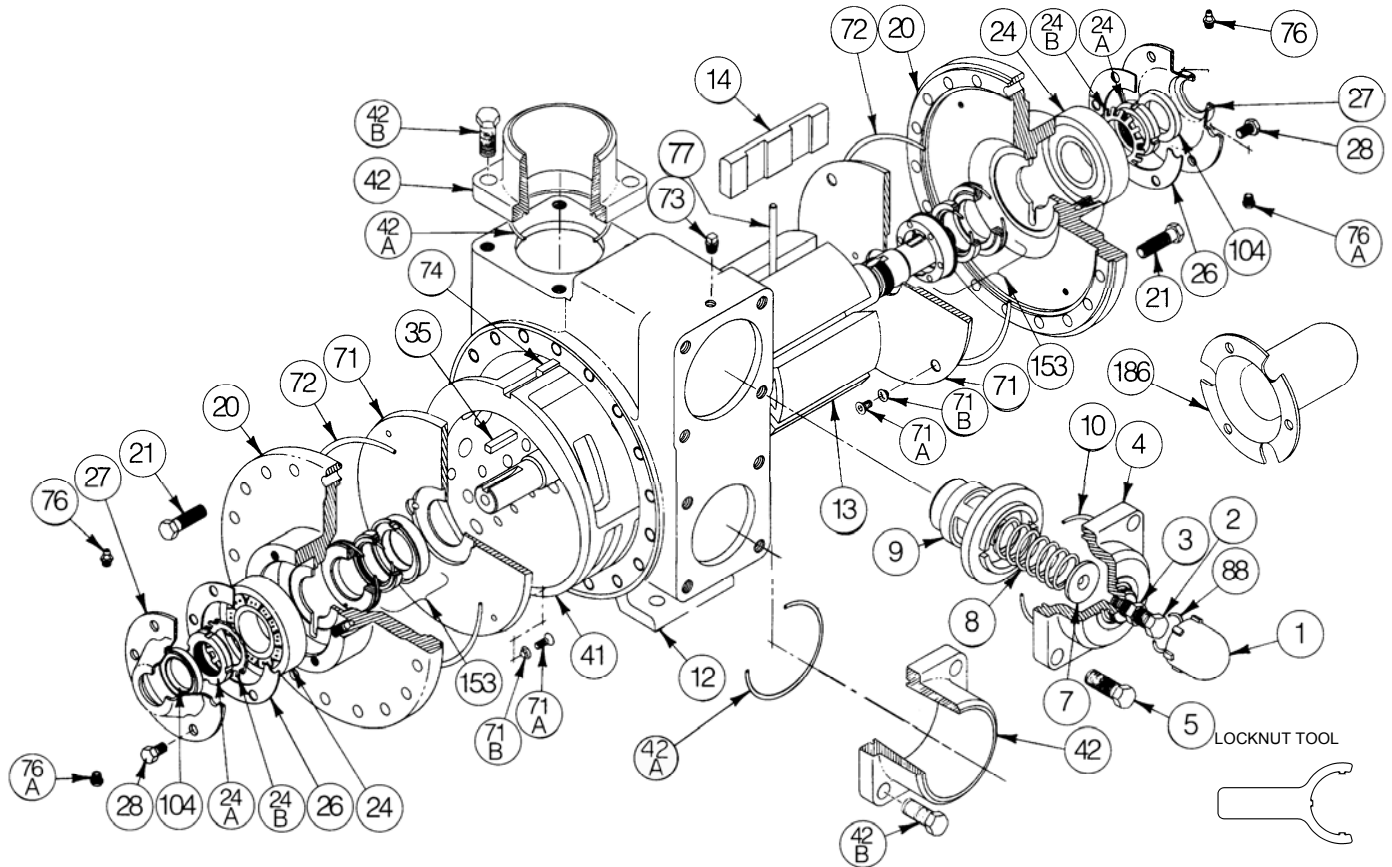


BLACKMER PARTS LIST

PUMP MODELS: CCLGLD4A

Keep with Instructions 501-M00 for Installation, Operation and Maintenance

Section 501
Effective May 2018
Replaces New



Ref. No.	Description	Parts per Pump	Part No.	Ref. No.	Description	Parts per Pump	Part No.
1	Relief Valve (R/V) Cap	1	412157	42	Weld Flange – 4"	1	652005
2	R/V Adjusting Screw	1	436310	42A	O-Ring Flange (NBR-LT)	2	¹ 712015
3	R/V Adjusting Screw Locknut	1	432039	42B	Capscrew – Weld Flange	8	920670
4	R/V Cover	1	412100	71	Disc	2	² 062039
5	R/V Cover Capscrews	4	920673	71A	Machine Screw – Disc	8	² 920015
7	R/V Spring Guide	1	426355	71B	Lockwasher – Disc	8	² 909634
8	R/V Spring (126-150 psi)	1	472039	72	O-Ring Head (NBR-LT)	2	¹ 712013
9	R/V Valve	1	452001	73	Gage Plug (1/4" NPT)	2	908198
10	O-Ring R/V Cover (NBR-LT)	1	¹ 712016	74	Key – Liner	1	² 182040
12	Casing	1	012100	76	Grease Fitting	2	317815
13	Rotor & Shaft (Includes 24A & 24B)	1	² 262044	76A	Grease Relief Fitting	2	701992
14	Duravane (STD)	6	¹ 092019	77	Push Rod - composite	3	122009
20	Head	2	032100	88	O-Ring R/V Cap (NBR-LT)	1	¹ 712014
21	Head Capscrews	28	920572	104	Grease Seal	2	¹ 331908
24*	Ball Bearing	2	¹ 903172	186	Shaft Protector	1	341801
24A	Bearing Locknut	2	² 903541	—	Tool - Locknut	—	903092
24B	Bearing Lockwasher	2	¹ 903542	—	Kit – Maintenance	—	898991
26	Bearing Cover Gasket	2	¹ 385125	—	Kit – Rebuild	—	899096
27	Bearing Cover	2	041815				
28	Bearing Cover Capscrews	12	920217				
35	Shaft Key	1	¹ 909183				
41	Liner	1	² 182000				

¹ Included in Maintenance Kit and Rebuild Kit ² Included in Rebuild Kit

MECHANICAL SEAL

Ref. No.	Part Name	Parts Per Pump	Part No.
153	Mechanical Seal Assembly (STD) Hardened Steel Stationary Seat, Custom Carbon Rotating Seal Face, HNBR O-Rings (SJCJ)	2	1 332071
153A	Stationary Seat	2	332005
153B	Rotating Seal Face	2	335267
153C	Jacket Assembly	2	331886
153D	O-Ring Stationary (NBR-LT) (STD)	2	712017
153E	O-Ring Rotating (NBR-LT) (STD)	2	712018

¹ Included in Maintenance Kit and Rebuild Kit.

**Mechanical Seal Ref. No. 153 is only sold as a complete assembly.

Ref. Nos. 153A, 153B, 153C are not available as separate replacement parts.

