

HD172B PARTS LIST

Discontinued Model – parts availability may be limited.

Serial # _____

ID# _____

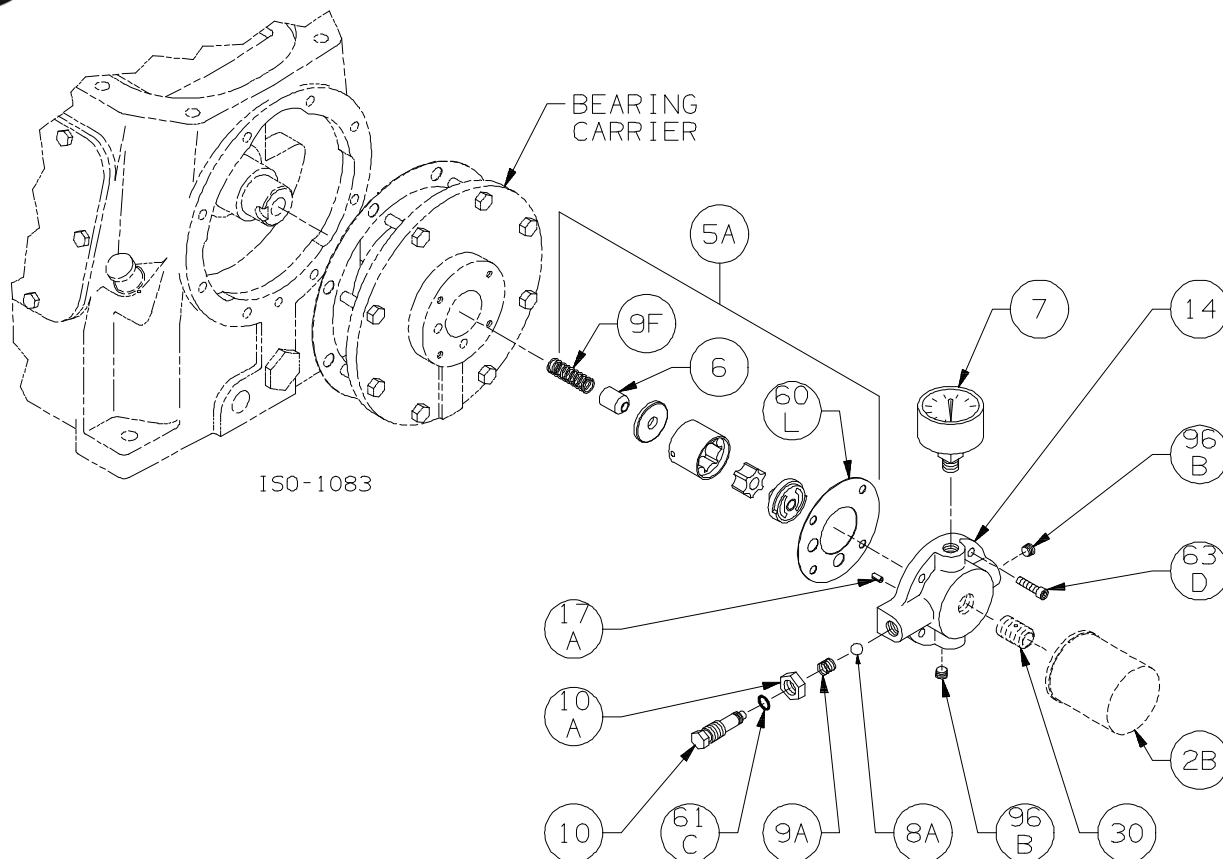
Gasket Sets and Special Tools

Gasket Set	Buna-N & Iron	792460
	PTFE & Iron	792461
	FKM & Iron	792462
	Neoprene & Iron	792463
	Ethylene Propylene & Iron	792464
Packing Installation Tool		790536
Spanner Wrench, 1/4" Adjustable		790316
Wrench for Valve Holdown Screw		790535
Tool Kit		790199

Bulletins Needed For Complete Parts List

This page	9E-041
Crankcase	9F-011
Oil Pump	9G-011
Flywheel	9H-010
Crosshead	9J-021
Cylinder	9L-030
Head	9M-030
Head with Unloaders	9M-040
Intercooler	9P-010

Notes:



Oil Pump Detail for Models:

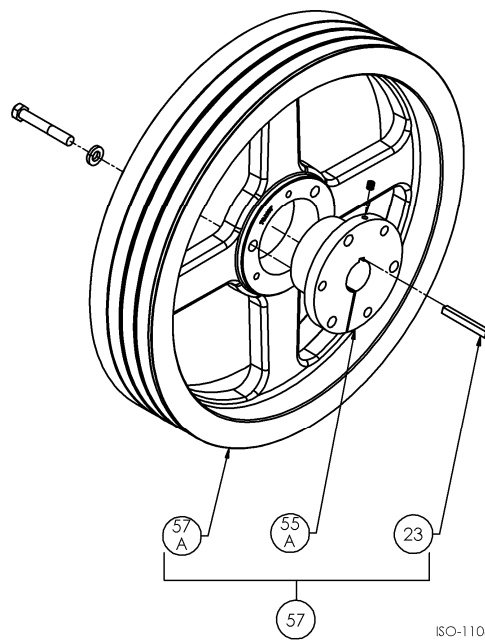
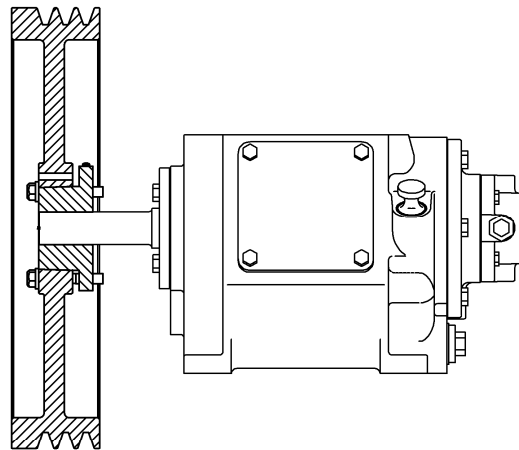
HD161C, HD161B, HD162C, HD162B, HD163C, HD163B,
 HD172C, HD172B, HD173C, HD173B,
 HDL341B, HDL342B, HDL343B, HDL341C, HDL342C, HDL343C,
 HD361C, HD361B, HD362C, HD362B, HD363C, HD363B
 HDL361B, HDL362B, HDL363B, HDL361C, HDL362C, HDL363C,
 HD372C, HD372B, HDL372C, HDL372B, HD373C, HD373B, HDL373C, HDL373B,
 HD601B, HD602B, HD603B, HDL601B, HDL602B, HDL603B,
 HD612B, HDL612B, HD613B, HDL613B,
 HD942A and HDL942A

ISO1083

Ref	Description	Qty	Part No
2B	Oil Filter	1	794726
5A	Oil Pump Kit (w/ 6, 9F, 60L)		794760
6	Oil Pump Cone	1	794750
7	Oil Pressure Gauge	1	790012
8A	Oil Pressure Adj. Ball	1	792154
9A	Oil Pressure Adj. Spring	1	792153
9F	Oil Pump Spring	1	794751
10	Oil Pressure Adj. Screw	1	792148
10A	Locknut	1	792152

Ref	Description	Qty	Part No
14	Oil Pump Cover Assembly - For Filter	1	794764
	with 17A, 96B		
	Oil Pump Cover Assembly - w\ 17A, 96B		794763
17A	Roll Pin	1	794753
30	Oil Filter Fitting	1	794725
60L	Gasket - Oil Pump Cover *	1	794721
61C	O-Ring - Adjusting Screw *	1	792168
63D	Capscrew - Soc. Hd	4	790559
96B	Pipe Plug	2	790309

* Included in Gasket Sets



ISO-1106

Models:

HD161C, HD161B

HD162C, HD162B

HD163C, HD163B

HD172C, HD172B

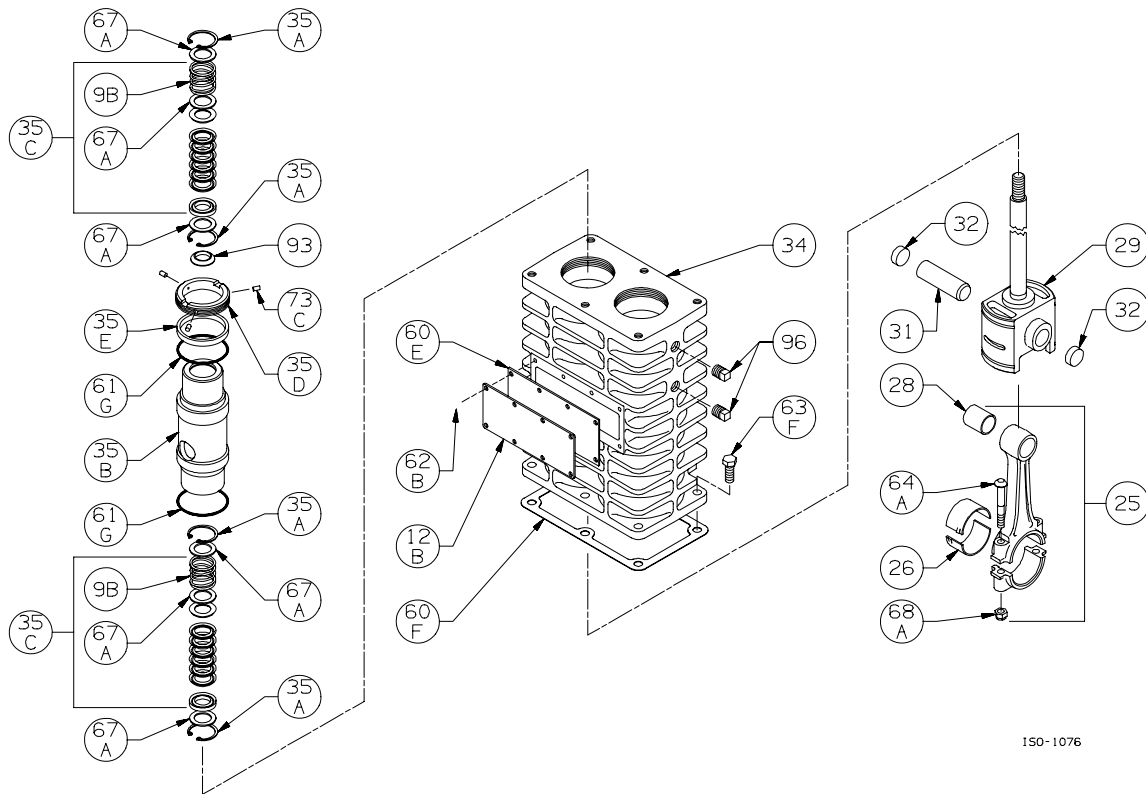
HD173C, HD173B

HDL172C, HDL173C

HDS172C

Ref	Description	Qty	Part No
23	Key	1	792167
55A	Hub	1	790563
57	Flywheel Assembly	1	792073
57A	Flywheel	1	792197

Note: Earlier HD172C, HD172B, HD173C and HD173B air-cooled compressors had a fan fitted to the flywheel.



150-1076

Crosshead Assembly: HD162B, HD172A, HD172B

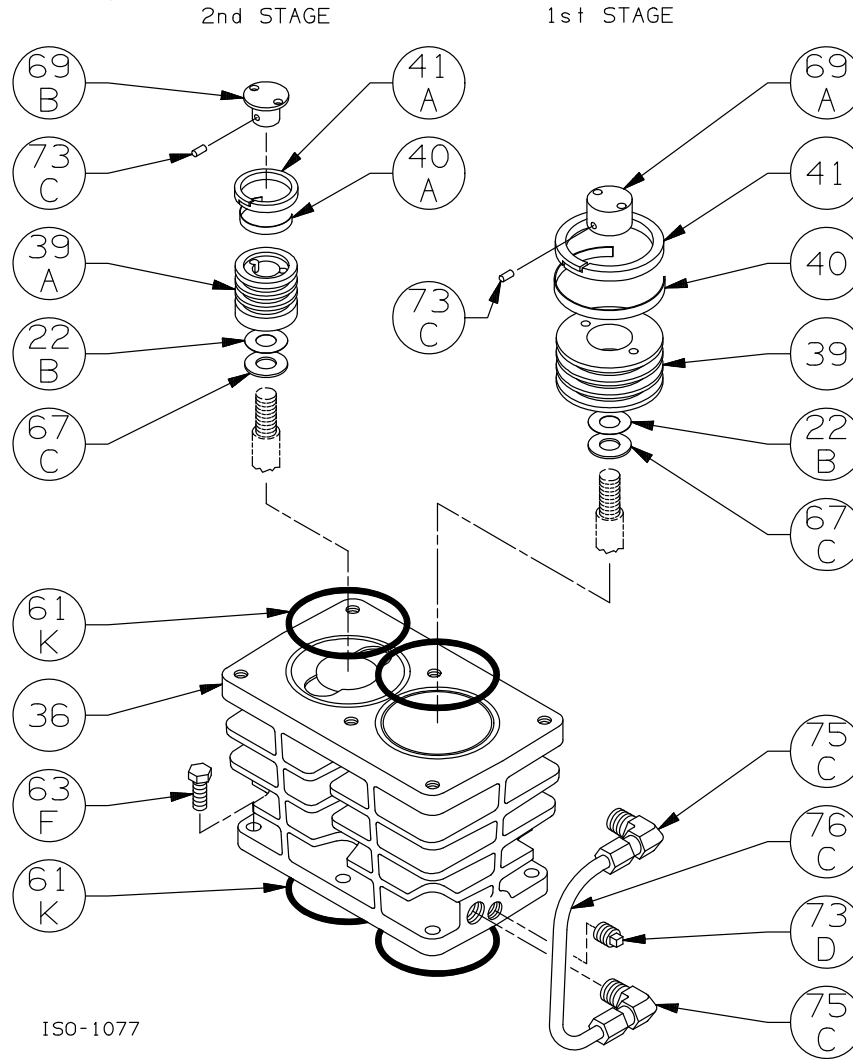
ISO1076

Ref	Description	Qty	Part No
9B	Packing Spring	4	792077
12B	Inspection Plate	1	792017
25	Connecting Rod Assembly	2	792009
26	Connecting Rod Bearing	2	792012
28	Wrist Pin Bushing **	2	792013
29	Crosshead Assembly	2	792429
31	Wrist Pin	2	792014
32	Wrist Pin Plug	4	792178
34	Crosshead Guide	1	792455
35A	Retainer Ring	8	793404
35B	Packing Box Packing Box TNT-12	2	792403 792883
35C	Packing Set	4	793510
35D	Hold-down Ring Hold-down Ring TNT-12	2	793220 792810
35E	Spacer Ring Spacer Ring TNT-12	2	793402 792821

Ref	Description	Qty	Part No
60E	Gasket - Inspection Plate *	1	792092
60F	Gasket - Crankcase *	1	792121
61G	O-Ring (Buna-N) Std *	4	792125
	O-Ring (FKM) *		793213
	O-Ring (PTFE) *		793211
	O-Ring (Neoprene) *		793215
	O-Ring (Ethylene Propylene) *		793207
62B	Machine Screw - Inspection Plate	8	793096
63F	Capscrew - Hex Hd	6	792093
64A	Connecting Rod Bolt	4	792006
67A	Washer - Packing Box	12	792087
68A	Connecting Rod Bolt Nut	4	792005
73C	Lock Plug *	6	792030
93	Oil Deflector Ring	2	793478
96	Pipe Plug	4	793498

*Included in Gasket Sets

** Must be honed after installing



ISO-1077

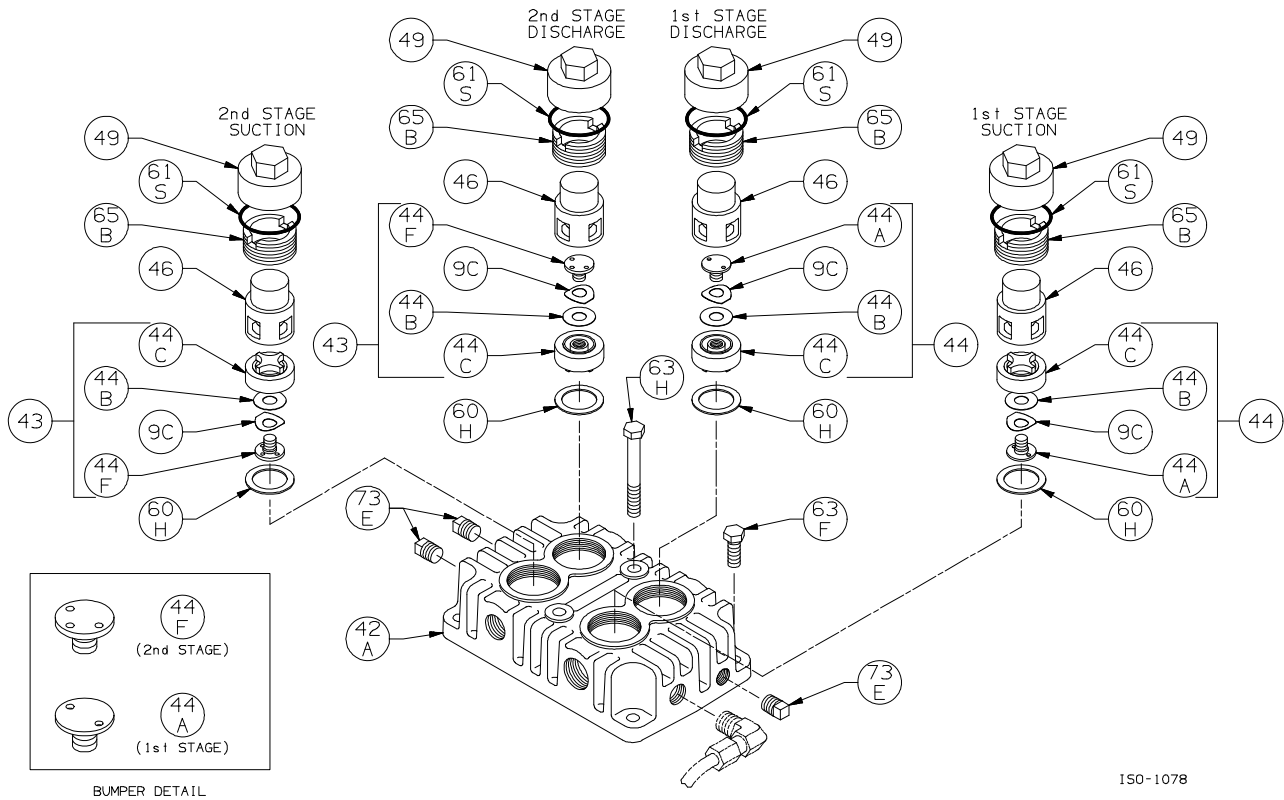
Cylinder Assembly: HD172A, HD172B, HD172C, HD173B, HD173C

ISO1077

Ref	Description	Qty	Part No
22B	Piston Shim - 0.015	as req.	792034
	Piston Shim - 0.007		792050
36	Cylinder Cylinder TNT-12	1	792457 792878
39	Piston Piston TNT-12	1	792431 792807
39A	Piston Piston TNT-12	1	792458 792880
40	Expander	3	794615
40A	Expander	3	792409
41	Piston Ring – Glass/Moly Filled, Std Piston Ring - Poly Filled	3	792420 792421
41A	Piston Ring – Glass/Moly Filled, Std Piston Ring - Poly Filled	3	792407 792408

* Included in Gasket Sets

Ref	Description	Qty	Part No
61K	O-Ring (Buna-N) Std *	4	792112
	O-Ring (FKM) *		792213
	O-Ring (PTFE) *		792210
	O-Ring (Neoprene) *		792110
	O-Ring (Ethylene Propylene) *		792206
63F	Capscrew - Hex Hd	6	792093
67C	Thrust Washer	2	792033
69A	Piston Nut Piston Nut TNT-12	1	793022 792808
69B	Piston Nut Piston Nut TNT-12	1	792459 792881
73C	Lock Plug *	4	793028
73D	Pipe Plug	1	793498
75C	Tube Elbow	2	790552
76C	Tube	1	790553



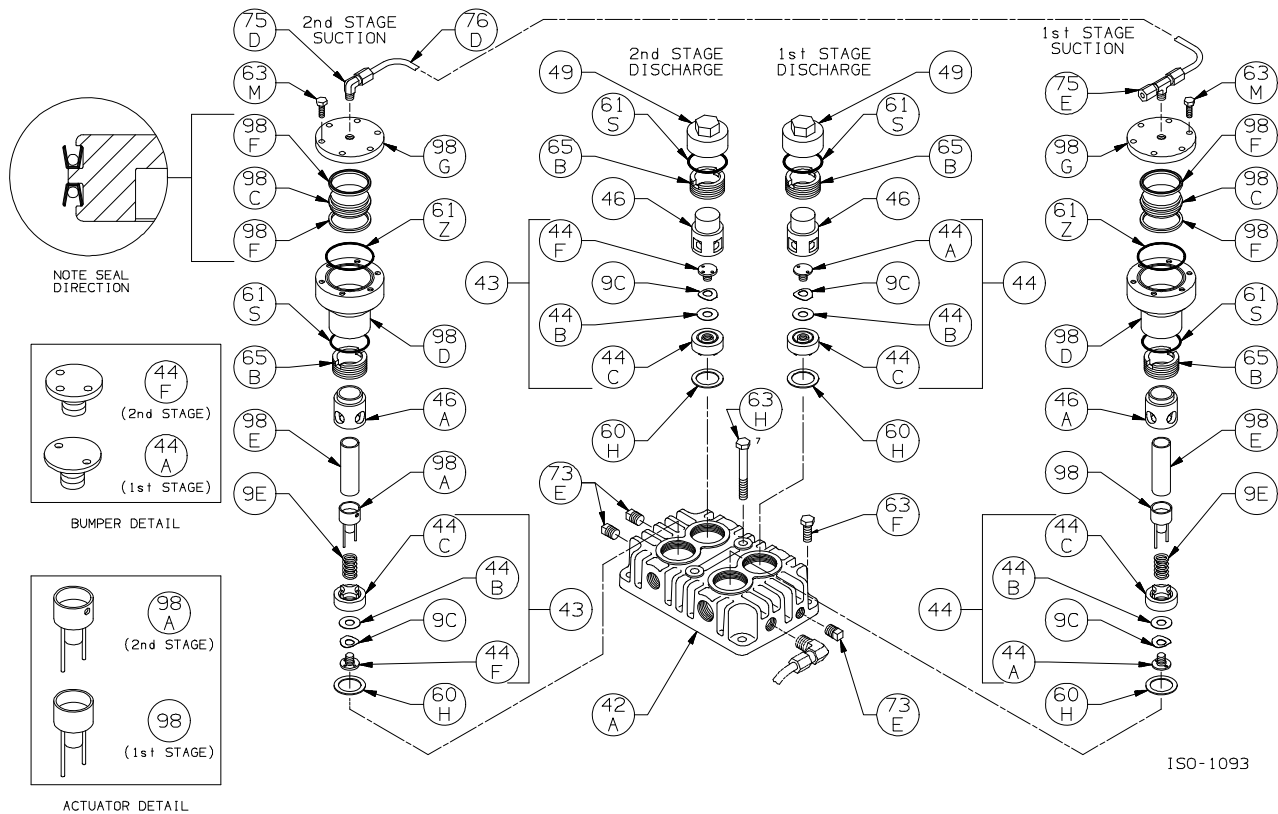
Head Assembly: HD172A, HD172B, HD172C, HD173B, HD173C

ISO1078

Ref	Description	Qty	Part No
9C	Valve Spring	4	792038
42A	Head Head TNT-12	1	792456 792879
43	Valve Assembly - 2nd Stage	2	792064
44	Valve Assembly - 1st Stage	2	792056
44A	Valve Bumper - 1st Stage	2	792054
44B	Valve Disc	4	792037
44C	Valve Body	4	792055
44F	Valve Bumper - 2nd Stage	2	792066
46	Cage Cage TNT-12	2	792051 792803
49	Valve Cap Valve Cap TNT-12	2	792003 792804

Ref	Description	Qty	Part No
60H	Gasket - Valve *	4	792201
61S	O-Ring (Buna-N) Std *	4	792306
	O-Ring (FKM) *		792308
	O-Ring (PTFE) *		792307
	O-Ring (Neoprene) *		792309
	O-Ring (Ethylene Propylene) *		792310
63F	Capscrew - Hex Hd	4	792093
63H	Capscrew - Hex Hd	2	792095
65B	Valve Holddown Screw Valve Holddown Screw TNT-12	4	792002 792806
73E	Pipe Plug	3	793498

* Included in Gasket Sets



Head Assembly with Unloaders: HD172A, HD172B, HD172C, HD173B, HD173C

ISO1093

Ref	Description	Qty	Part No
9C	Valve Spring	4	792038
9E	Unloader Spring	2	793293
42A	Head Head TNT-12	1	792456 792879
43	Valve Assembly - 2nd Stage	2	792064
44	Valve Assembly - 1st Stage	2	792056
44A	Valve Bumper - 1st Stage	2	792054
44B	Valve Disc	4	792037
44C	Valve Body	4	792055
44F	Valve Bumper - 2nd Stage	2	792066
46	Cage Cage TNT-12	2	792051 792803
46A	Cage	2	792282
49	Valve Cap Valve Cap TNT-12	2	792003 792804
60H	Gasket - Valve *	4	792201
61S	O-Ring (Buna-N) Std * O-Ring (FKM) * O-Ring (PTFE) * O-Ring (Neoprene) * O-Ring (Ethylene Propylene) *	4	792306 792308 792307 792309 792310

Ref	Description	Qty	Part No
61Z	O-Ring (Buna-N) Std * O-Ring (FKM) * O-Ring (PTFE) * O-Ring (Neoprene) * O-Ring (Ethylene Propylene) *	2	792311 792313 792312 792314 792320
63F	Capscrew - Hex Hd	4	792093
63H	Capscrew - Hex Hd	2	792095
63M	Capscrew - Hex Hd	12	790053
65B	Valve Holddown Screw Valve Holddown Screw TNT-12	4	792002 792806
73E	Pipe Plug	3	793498
75D	Tube Elbow	1	790355
75E	Tube Tee	1	790356
76D	Tube	1	790192
98	Actuator Assembly - 1 st Stage	1	792296
98A	Actuator Assembly - 2 nd Stage	1	792295
98C	Unloader Piston	2	793288
98D	Unloader Body	2	792286
98E	Unloader Plunger	2	793290
98F	Unloader Seal	4	792284
98G	Unloader Cap	2	793287

* Included in Gasket Sets

Suggested Spare Parts for HD172B compressors:

Part #	Description	Qty./Unit	Comm. Qty.	Spare Qty.
792460	Gasket Set - Buna-N	1	1	1
792461	Gasket Set - PTFE *			
792462	Gasket Set - FKM *			
792463	Gasket Set - Neoprene *			
792464	Gasket Set - Ethylene Propylene *			
792056	Stage 1 Suction Valve	1		1
792064	Stage 2 Suction Valve	1		
792056	Stage 1 Discharge Valve	1		1
792064	Stage 2 Discharge Valve	1		1
792284	Unloader Seal *	4		4
792420	Stage 1 Piston Ring - Standard	3	3	3
792421	Stage 1 Piston Ring - Poly Filled *			
794615	Stage 1 Piston Ring Expander	3	3	3
792407	Stage 2 Piston Ring - Standard	3		3
792408	Stage 2 Piston Ring - Poly Filled *			
792409	Stage 2 Piston Ring Expander	3		3
793510	Packing Set	4	4	4
794726	Oil Filter *	1		6
792014	Wrist Pin	2		2
792013	Wrist Pin Bushing	2	2	2
792012	Conrod Bearing	2	2	2
The following parts would normally be required only for major compressor overhaul.				
793142	Bearing Cone	2		2
793126	Bearing Cup	2		2
792429	Crosshead Assembly	2		1
792009	Conrod Assembly	2		1
794760	Oil Pump Repair Kit	1		
792157	Crankshaft Assembly	1		
793133	Bearing Adjustment Shim Kit	1		
792457	Cylinder	1		
792878	Cylinder, TNT-12 PTFE / Nickel Treated *			

* Optional Equipment on New Compressors