

HD603B PARTS LIST

Discontinued Model – parts availability may be limited.

Serial # _____

ID# _____

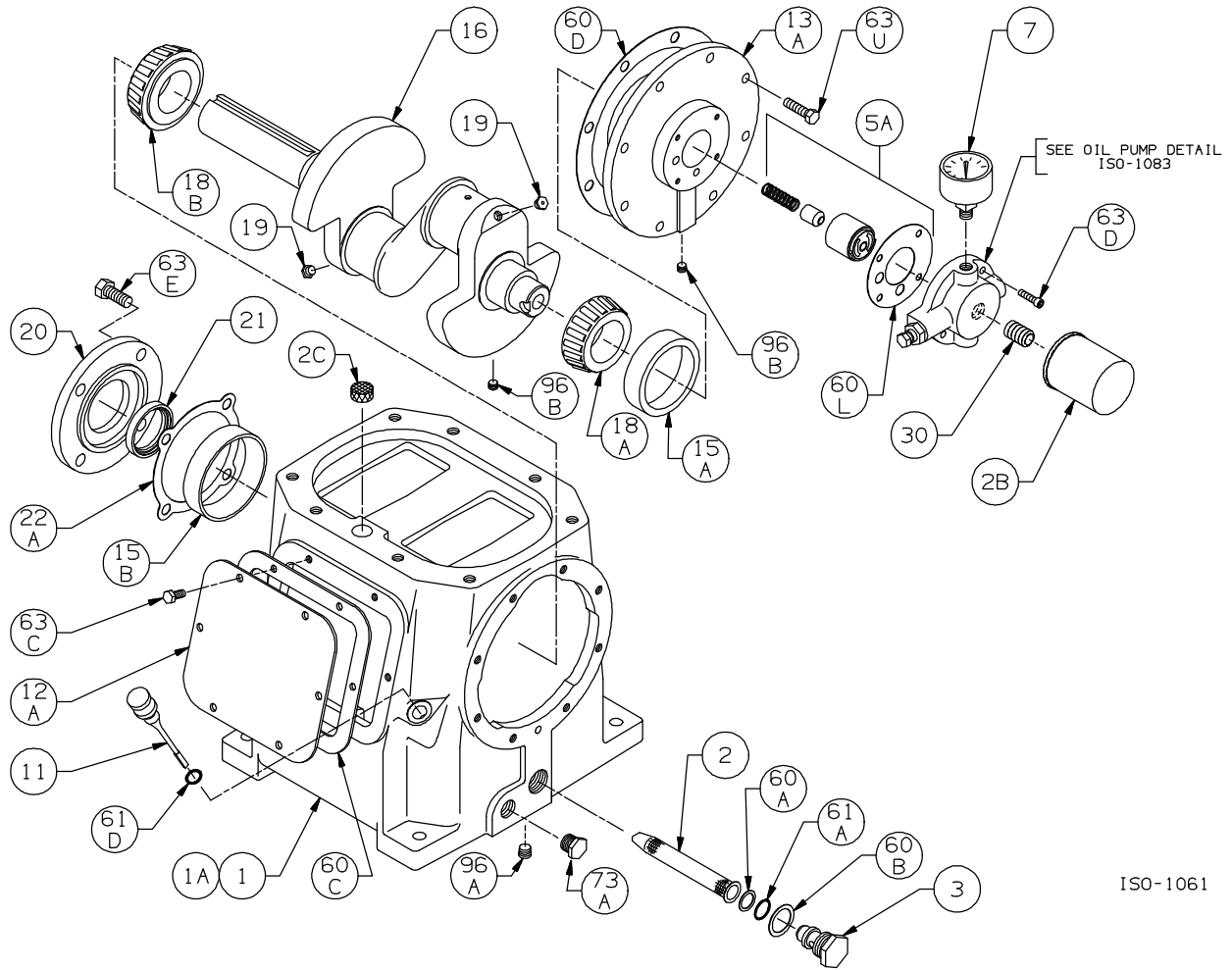
Gasket Sets and Special Tools

| | | |
|---------------------------------|---------------------------|--------|
| Gasket Set | Buna-N & Iron | 794594 |
| | FKM & Iron | 794592 |
| | PTFE & Iron | 794593 |
| | Neoprene & Iron | 794590 |
| | Ethylene Propylene & Iron | 794589 |
| | | |
| Packing Installation Tool | | 790538 |
| | | |
| Spanner Wrench, 1/4" Adjustable | | 790316 |
| | | |
| Wrench for Valve Holdown Screw | | 790535 |
| | | |
| Tool Kit | | 790199 |

Bulletins Needed For Complete Parts List

| | |
|------------------------|--------|
| This page | 9E-151 |
| | |
| Crankcase | 9F-031 |
| | |
| Oil Pump | 9G-011 |
| | |
| Flywheel | 9H-030 |
| | |
| Crosshead | 9J-101 |
| | |
| Packing | 9K-041 |
| | |
| Cylinder | 9L-070 |
| | |
| Head | 9M-110 |
| | |
| Head with Unloaders | 9M-120 |

Notes:



ISO-1061

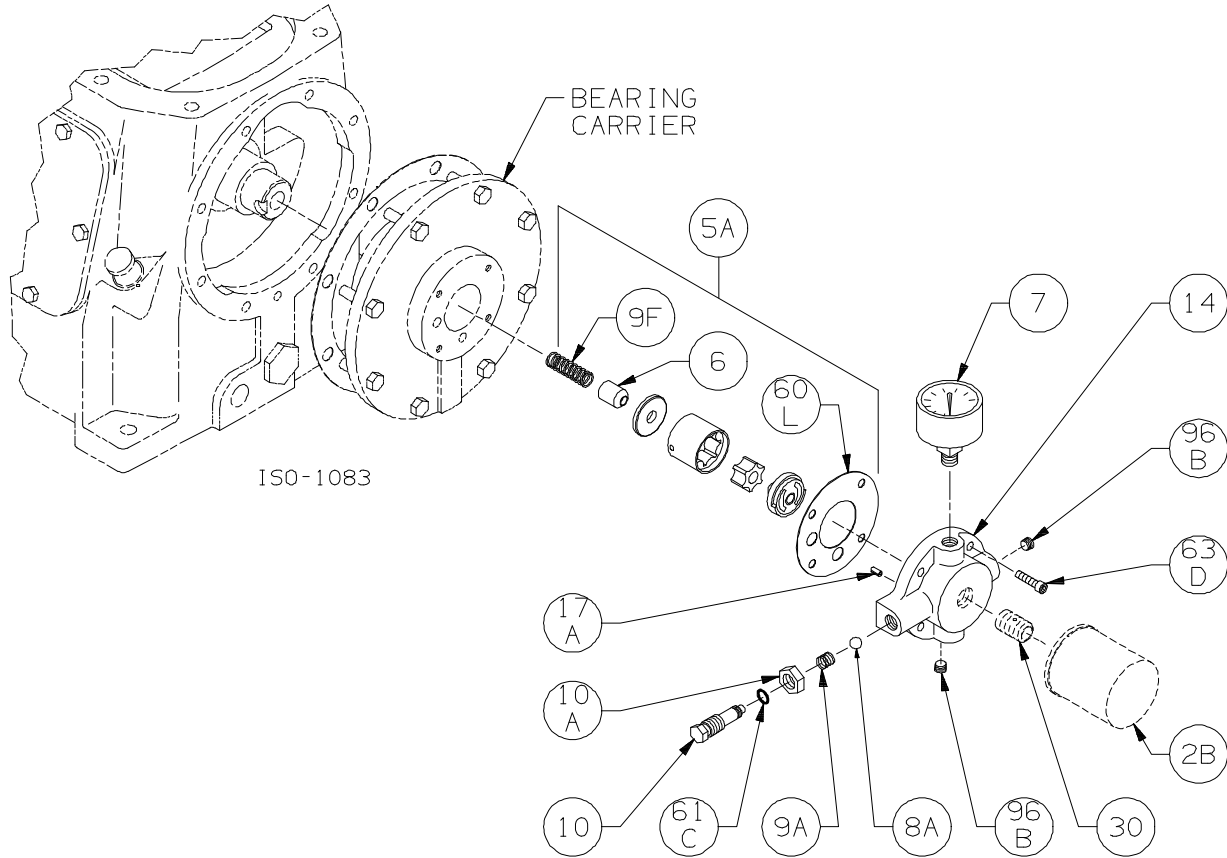
Crankcase Assembly:
 Models HD601B, HD602B, HD603B, HDL602B, HDL603B, HDL642B, HDL643B,
 HD612B, HD613B, HDL612B, HDL613B

ISO1061

| Ref | Description | Qty | Part No |
|-----|---|-----|---------|
| 1 | Crankcase Assembly - w\ Oil Filter (std.) | 1 | 794758 |
| | Crankcase Assembly | | 794759 |
| 1A | Crankcase | 1 | 794709 |
| 2 | Oil Intake Screen | 1 | 792135 |
| 2B | Oil Filter | 1 | 794726 |
| 2C | Breather Filter | 1 | 794752 |
| 3 | Oil Screen Plug | 1 | 792145 |
| 5A | Oil Pump Kit | 1 | 794760 |
| 7 | Oil Pressure Gauge | 1 | 790012 |
| 11 | Oil Bayonet Assembly | 1 | 792162 |
| 12A | Inspection Plate | 1 | 794140 |
| 13A | Bearing Carrier | 1 | 794714 |
| 15A | Bearing Cup (Outboard) | 1 | 794131 |
| 15B | Bearing Cup (Inboard) | 1 | 794731 |
| 16 | Crankshaft Assembly (w\ 18A,18B,19,96B) | 1 | 794708 |
| 18A | Bearing Cone (Outboard) | 1 | 794130 |
| 18B | Bearing Cone (Inboard) | 1 | 794730 |
| 19 | Orifice | 2 | 792146 |

| Ref | Description | Qty | Part No |
|-----|-------------------------------------|-----|---------|
| 20 | Bearing Cover Plate | 1 | 794716 |
| 21 | Oil Seal | 1 | 794732 |
| 22A | Bearing Adjustment Shim Kit | 1 | 794733 |
| 30 | Oil Filter Fitting | 1 | 794725 |
| 60A | Gasket - Oil Screen * | 1 | 792136 |
| 60B | Gasket - Oil Screen Plug * | 1 | 792123 |
| 60C | Gasket - Inspection Plate * | 1 | 794122 |
| 60D | Gasket - Bearing Carrier Assembly * | 1 | 794720 |
| 60L | Gasket - Oil Pump Cover * | 1 | 794721 |
| 61A | O-Ring - Oil Screen * | 1 | 792175 |
| 61D | O-Ring - Oil Bayonet * | 1 | 792174 |
| 63C | Capscrew - Hex Hd | 6 | 793116 |
| 63D | Capscrew - Soc Hd | 4 | 790559 |
| 63E | Capscrew - Hex Hd | 4 | 790484 |
| 63U | Capscrew - Hex Hd | 8 | 792093 |
| 73A | Pipe Plug | 1 | 790024 |
| 96A | Pipe Plug | 1 | 790488 |
| 96B | Pipe Plug | 2 | 790309 |

* Included in Gasket Sets



ISO-1083

Oil Pump Detail for Models:

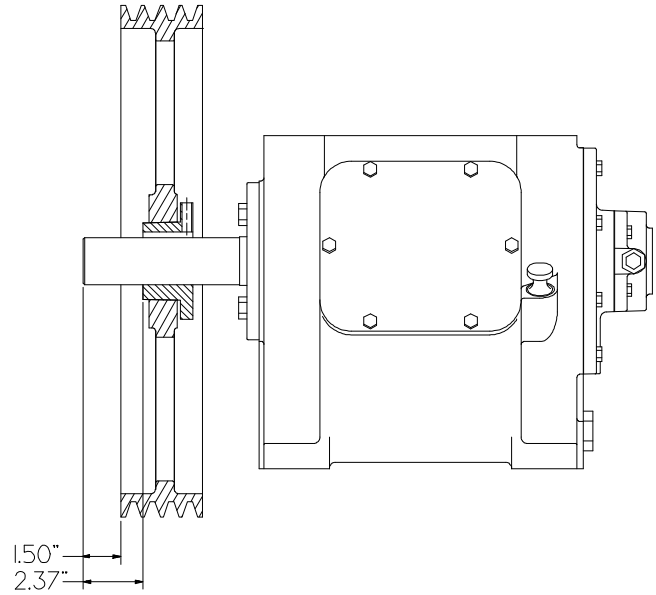
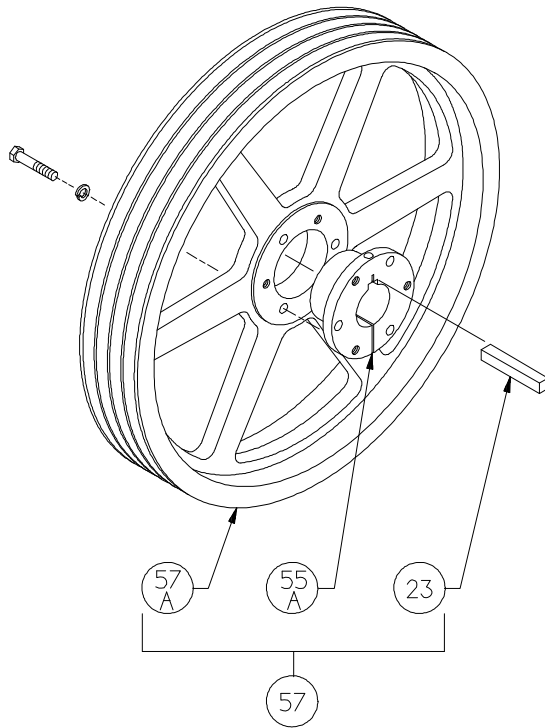
HD161C, HD161B, HD162C, HD162B, HD163C, HD163B,
 HD172C, HD172B, HD173C, HD173B,
 HDL342B, HDL343B, HDL342C, HDL343C,
 HD361C, HD361B, HD362C, HD362B, HD363C, HD363B
 HDL362B, HDL363B, HDL362C, HDL363C,
 HD372C, HD372B, HDL372C, HDL372B, HD373C, HD373B, HDL373C, HDL373B,
 HD601B, HD602B, HD603B, HDL601B, HDL602B, HDL603B, HDL641B, HDL642B, HDL643B,
 HD612B, HDL612B, HD613B, HDL613B,
 HD942A and HDL942A

ISO1083

| Ref | Description | Qty | Part No |
|-----|------------------------------|-----|---------|
| 2B | Oil Filter | 1 | 794726 |
| 5A | Oil Pump Kit (w/ 6, 9F, 60L) | | 794760 |
| 6 | Oil Pump Cone | 1 | 794750 |
| 7 | Oil Pressure Gauge | 1 | 790012 |
| 8A | Oil Pressure Adj. Ball | 1 | 792154 |
| 9A | Oil Pressure Adj. Spring | 1 | 792153 |
| 9F | Oil Pump Spring | 1 | 794751 |
| 10 | Oil Pressure Adj. Screw | 1 | 792148 |
| 10A | Locknut | 1 | 792152 |

| Ref | Description | Qty | Part No |
|-----|---------------------------------------|-----|---------|
| 14 | Oil Pump Cover Assembly - For Filter | 1 | 794764 |
| | Oil Pump Cover Assembly - w/ 17A, 96B | | 794763 |
| 17A | Roll Pin | 1 | 794753 |
| 30 | Oil Filter Fitting | 1 | 794725 |
| 60L | Gasket - Oil Pump Cover * | 1 | 794721 |
| 61C | O-Ring - Adjusting Screw * | 1 | 792168 |
| 63D | Capscrew - Soc. Hd | 4 | 790559 |
| 96B | Pipe Plug | 2 | 790309 |

* Included in Gasket Sets



ISO-1084

Standard Flywheel Assembly:

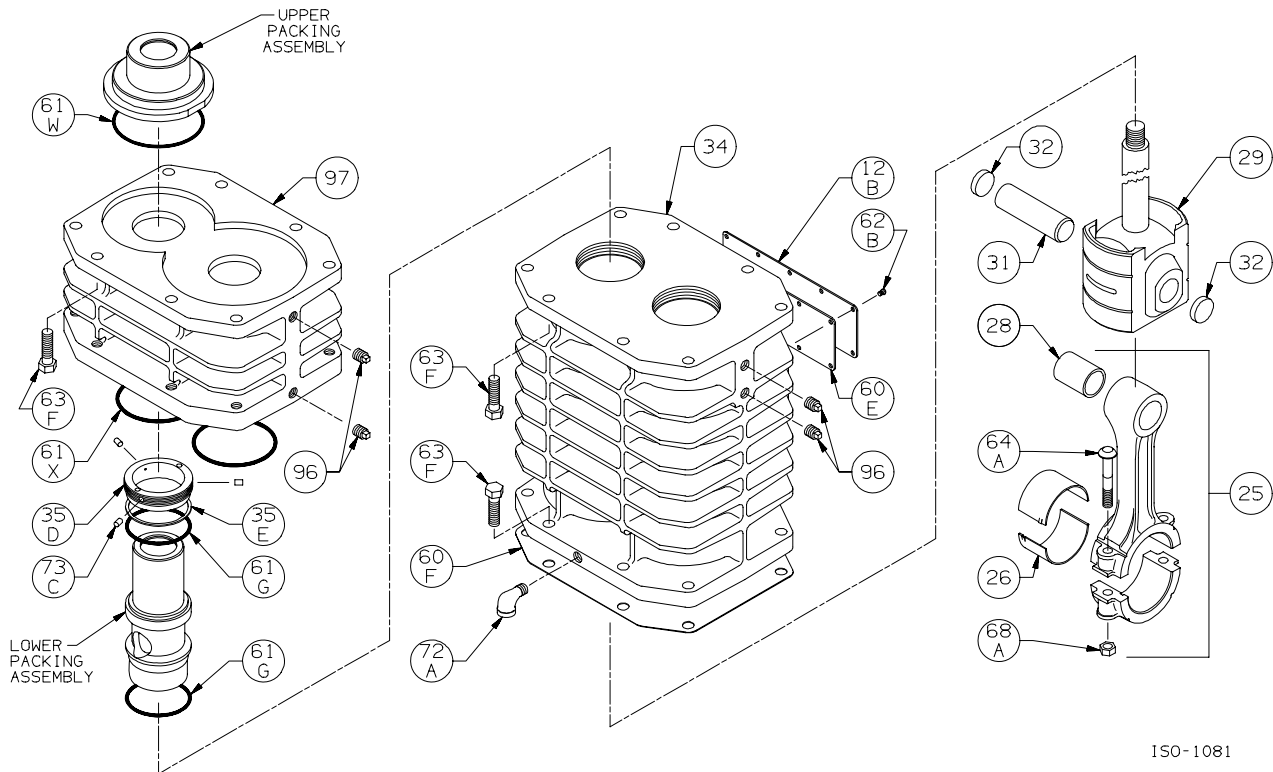
HD601B, HD602B, HD603B

HDL602B, HDL603B

HDL642B, HDL643B

ISO1084

| Ref | Description | Qty | Part No |
|-----|-------------------|-----|---------|
| 23 | Key | 1 | 794267 |
| 55A | Hub | 1 | 790149 |
| 57 | Flywheel Assembly | 1 | 794132 |
| 57A | Flywheel | 1 | 790545 |



ISO-1081

Crosshead Assembly: HD603B, HDL603B, HDL643B

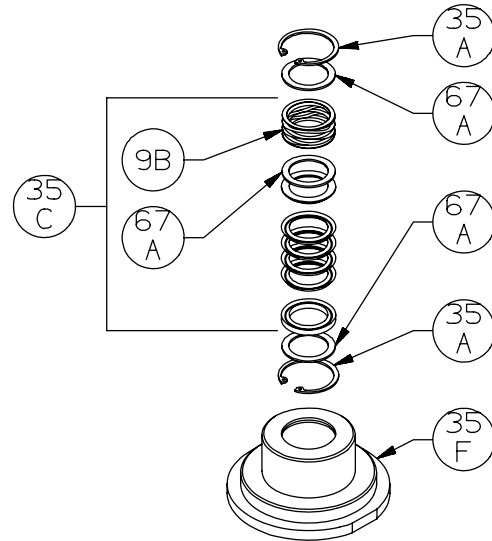
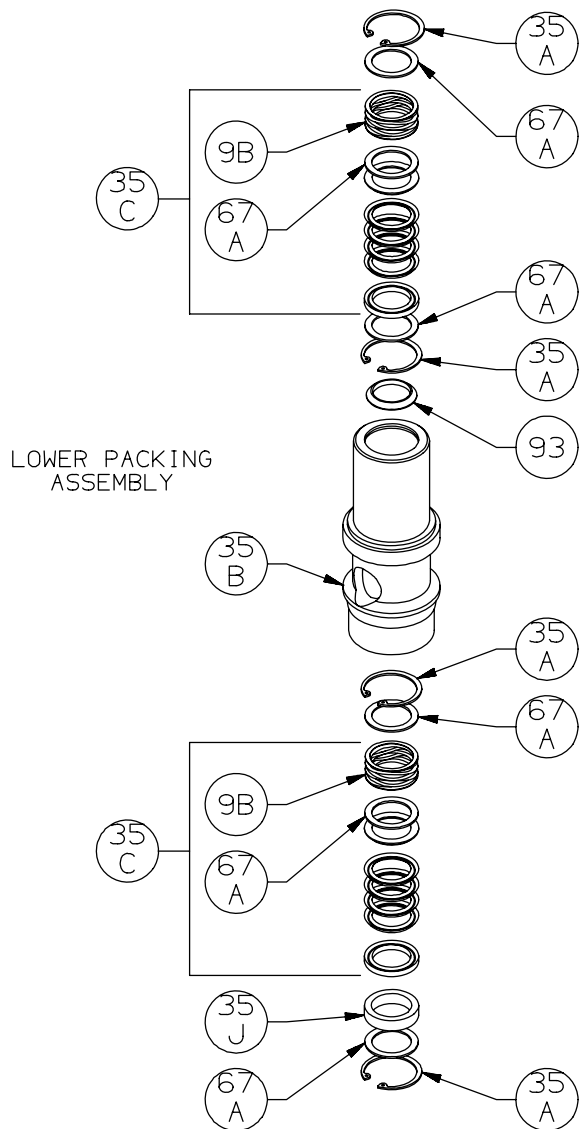
ISO1081

| Ref | Description | Qty | Part No |
|-----|-------------------------------|-----|---------|
| 12B | Inspection Plate | 1 | 794093 |
| 25 | Connecting Rod Assembly | 2 | 794728 |
| 26 | Connecting Rod Bearing | 2 | 794710 |
| 28 | Wrist Pin Bushing ** | 2 | 794749 |
| 29 | Crosshead Assembly | 2 | 794435 |
| 31 | Wrist Pin | 2 | 794727 |
| 32 | Wrist Pin Plug | 4 | 794724 |
| 34 | Crosshead Guide | 1 | 794430 |
| 35D | Hold-down Ring | 2 | 794220 |
| 35E | Spacer Ring | 2 | 794403 |
| 60E | Gasket - Inspection Plate * | 1 | 794092 |
| 60F | Gasket - Crankcase * | 1 | 794121 |
| 61G | O-Ring (Buna-N) * | 4 | 794082 |
| | O-Ring (FKM) * | | 794213 |
| | O-Ring (PTFE) * | | 794208 |
| | O-Ring (Neoprene) * | | 794090 |
| | O-Ring (Ethylene Propylene) * | | 794206 |
| 61W | HD603B, HDL603B only | | |
| | O-Ring (Buna-N) * | 2 | 793177 |
| | O-Ring (FKM) * | | 793212 |
| | O-Ring (PTFE) * | | 793210 |
| | O-Ring (Neoprene) * | | 793216 |
| | O-Ring (Ethylene Propylene) * | | 793206 |

| Ref | Description | Qty | Part No |
|-----|----------------------------------|-----|---------|
| 61W | HDL643B only | | |
| | O-Ring (Buna-N) * | 2 | 794082 |
| | O-Ring (FKM) * | | 794213 |
| | O-Ring (PTFE) * | | 794208 |
| | O-Ring (Neoprene) * | | 794090 |
| | O-Ring (Ethylene Propylene) * | | 794206 |
| 61X | O-Ring (Buna-N) * | 2 | 794426 |
| | O-Ring (FKM) * | | 794425 |
| | O-Ring (PTFE) * | | 794427 |
| | O-Ring (Neoprene) * | | 794424 |
| | O-Ring (Ethylene Propylene) * | | 794428 |
| 62B | Machine Screw - Inspection Plate | 10 | 793096 |
| 63F | Capscrew - Hex Hd | 24 | 794094 |
| 64A | Connecting Rod Bolt | 4 | 794012 |
| 68A | Connecting Rod Bolt Nut | 4 | 794013 |
| 72A | Elbow - Vent | 1 | 790453 |
| 73C | Lock Plug * | 6 | 794028 |
| 96 | Pipe Plug | 8 | 793498 |
| 97 | Distance Piece | 1 | 794410 |

*Included in Gasket Sets

** Must be honed after installing



ISO-1104

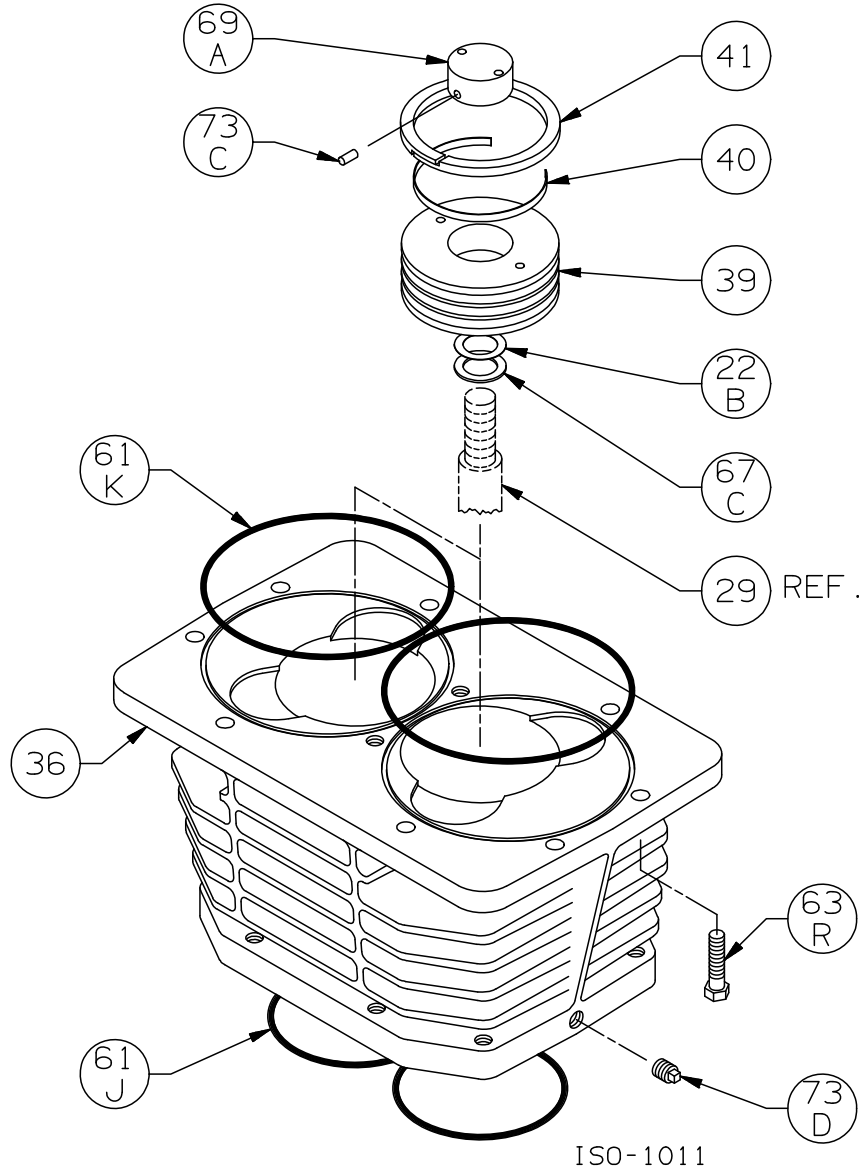
Packing Assembly: HD603B, HDL603B

| Ref | Description | Qty | Part No |
|-----|----------------------------|-----|---------|
| 9B | Packing Spring | 6 | 794041 |
| 35A | Retainer Ring | 12 | 794080 |
| 35B | Packing Box - Lower | 2 | 794452 |
| 35C | Packing Set | 6 | 794498 |
| 35F | Packing Box - Upper | 2 | 794404 |
| | Packing Box - Upper TNT-12 | | 792886 |
| 35J | Packing Bushing | 2 | 794043 |
| 67A | Washer - Packing Box | 18 | 794084 |
| 93 | Oil Deflector Ring | 2 | 794478 |

Packing Assembly: HDL643B

ISO1104

| Ref | Description | Qty | Part No |
|-----|----------------------------|-----|---------|
| 9B | Packing Spring | 6 | 794041 |
| 35A | Retainer Ring | 12 | 794080 |
| 35B | Packing Box - Lower | 2 | 794452 |
| 35C | Packing Set | 6 | 794498 |
| 35F | Packing Box - Upper | 2 | 794413 |
| | Packing Box - Upper TNT-12 | | 792843 |
| 35J | Packing Bushing | 2 | 794043 |
| 67A | Washer - Packing Box | 18 | 794084 |
| 93 | Oil Deflector Ring | 2 | 794478 |



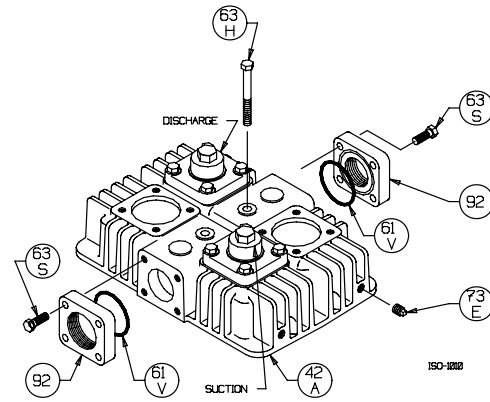
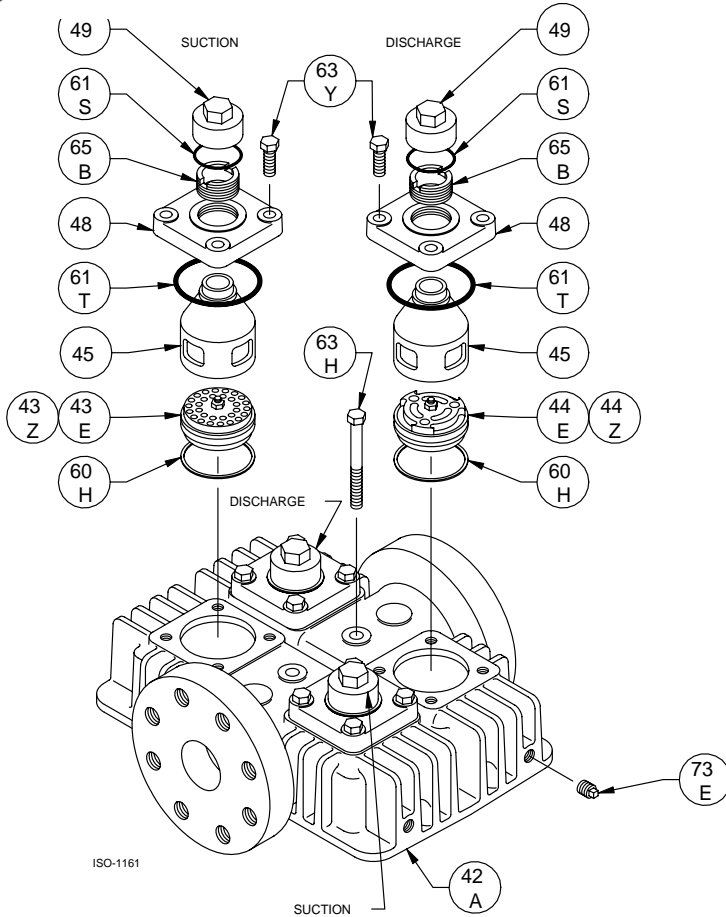
Cylinder Assembly: HD601B|A, HD602C|B|A, HD603C|B|A

ISO1011

| Ref | Description | Qty | Part No |
|-----|--------------------------------------|-----|---------|
| 22B | Piston Shim - 0.015" | AR | 794434 |
| | Piston Shim - 0.007" | AR | 794436 |
| 36 | Cylinder | 1 | 794103 |
| | Cylinder TNT-12 | | 792831 |
| 39 | Piston | 2 | 794431 |
| | Piston TNT-12 | | 792833 |
| 40 | Expander | 6 | 793614 |
| 41 | Piston Ring - Glass/Moly Filled, Std | 6 | 793610 |
| | Piston Ring - Poly Filled | | 793612 |
| 61J | O-Ring (Buna N) Std * | 2 | 794126 |
| | O-Ring (FKM) * | | 794214 |
| | O-Ring (PTFE) * | | 794125 |
| | O-Ring (Neoprene) * | | 794142 |
| | O-Ring (Ethylene Propylene) * | | 794110 |

| Ref | Description | Qty | Part No |
|-----|-------------------------------|-----|---------|
| 61K | O-Ring (Buna N) Std * | 2 | 794104 |
| | O-Ring (FKM) * | | 794106 |
| | O-Ring (PTFE) * | | 794105 |
| | O-Ring (Neoprene) * | | 794108 |
| | O-Ring (Ethylene Propylene) * | | 794210 |
| 63R | Capscrew - Hex Hd | 8 | 794097 |
| 67C | Thrust Washer | 2 | 794433 |
| 69A | Piston Nut | 2 | 794422 |
| | Piston Nut TNT-12 | | 792834 |
| 73C | Lock Plug * | 4 | 794222 |
| 73D | Pipe Plug | 1 | 793498 |

* Included in Gasket Sets



Head Style used on units built prior to July 2001. Replaced by the ANSI flanged head shown.

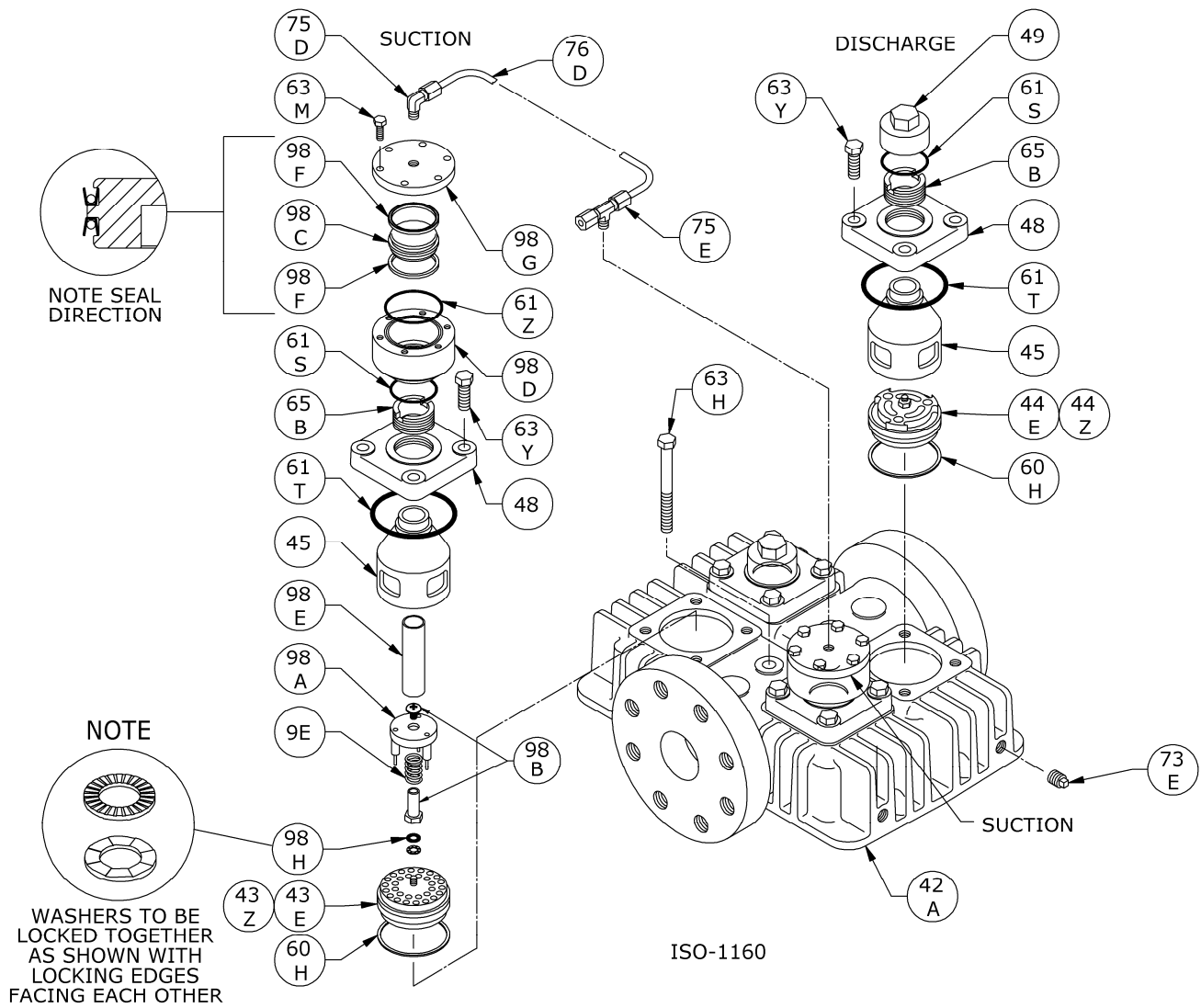
Head Assembly: HD601B|A, HD602C|B|A, HD603C|B|A

| Ref | Description | Qty | Part No |
|-----|---|-----|---------|
| 42A | Head (ANSI Flanges) | 1 | 794100 |
| | Head TNT-12 (ANSI Flanges) | | 792893 |
| | Head (4-bolt flange style) | | 794102 |
| | Head TNT-12 (4-bolt flange style) | | 792832 |
| 43E | Suction Valve Assembly | 2 | 793659 |
| | Suction Valve Assembly TNT-12 | | 792872 |
| | Suction Valve Assembly, Stainless Steel | | 793629 |
| 43Z | Valve Repair Kit - For 793659/793679 | | 793660 |
| | Valve Repair Kit - For 793629 | | 793630 |
| 44E | Discharge Valve Assembly | 2 | 793679 |
| | Discharge Valve Assembly TNT-12 | | 792873 |
| | Discharge Valve Assy, Stainless Steel | | 793649 |
| 44Z | Valve Repair Kit - For 793659/793679 | | 793660 |
| | Valve Repair Kit - For 793649 | | 793650 |
| 45 | Cage | 4 | 794620 |
| | Cage TNT-12 | | 792835 |
| 48 | Valve Cover Plate | 4 | 794284 |
| | Valve Cover Plate TNT-12 | | 792817 |
| 49 | Valve Cap | 4 | 792003 |
| | Valve Cap TNT-12 | | 792804 |
| 60H | Gasket - Valve * | 4 | 794198 |
| 61S | O-Ring (Buna-N) Std * | 4 | 792306 |
| | O-Ring (FKM) * | | 792308 |
| | O-Ring (PTFE) * | | 792307 |
| | O-Ring (Neoprene) * | | 792309 |
| | O-Ring (Ethylene Propylene) * | | 792310 |

ISO1161

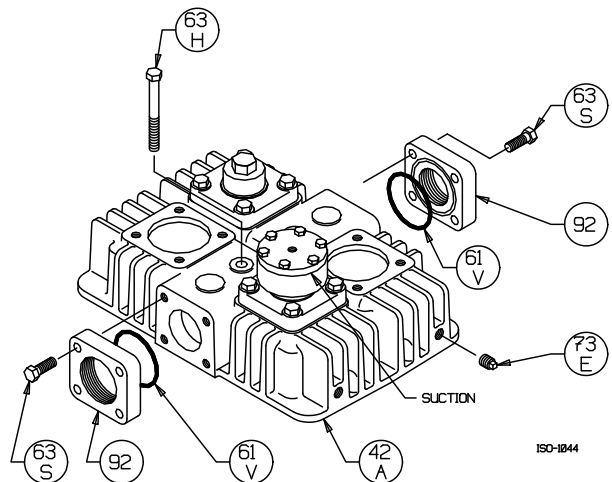
| Ref | Description | Qty | Part No |
|-----|--------------------------------|-----|---------|
| 61T | O-Ring (Buna-N) Std * | 4 | 792112 |
| | O-Ring (FKM) * | | 792213 |
| | O-Ring (PTFE) * | | 792210 |
| | O-Ring (Neoprene) * | | 792110 |
| | O-Ring (Ethylene Propylene) * | | 792206 |
| 61V | O-Ring (Buna-N) Std * | 2 | 792412 |
| | O-Ring (FKM) * | | 792413 |
| | O-Ring (PTFE) * | | 792414 |
| | O-Ring (Neoprene) * | | 792410 |
| | O-Ring (Ethylene Propylene) * | | 792411 |
| 63H | Capscrew - Hex Hd | 2 | 794115 |
| 63S | Capscrew - Hex Hd | 8 | 794096 |
| 63Y | Capscrew - Hex Hd | 16 | 793094 |
| 65B | Valve Holddown Screw | 4 | 792002 |
| | Valve Holddown Screw TNT-12 | | 792806 |
| 73E | Pipe Plug | 2 | 793498 |
| 92 | Flange-Inlet (2 NPT) Std | 1 | 794117 |
| | Flange-Inlet (2 NPT) TNT-12 | | 792837 |
| | Flange-Outlet (1.5 NPT) Std | 1 | 794116 |
| | Flange-Outlet (1.5 NPT) TNT-12 | | 792836 |
| | Flange (1.25 NPT) | | 794118 |
| | Flange (1.25 NPT) TNT-12 | | 792866 |

* Included in Gasket Sets



Head Assembly with Unloaders:
 HD601B|A, HD602C|B|A, HD603C|B|A

Head Style used on units built prior to July 2001. Replaced by the ANSI flanged head shown above.



| Ref | Description | Qty | Part No |
|-----|---------------------------------------|-----|---------|
| 9E | Unloader Spring | 2 | 793293 |
| 42A | Head (ANSI Flanges) | 1 | 794100 |
| | Head TNT-12 (ANSI Flanges) | | 792893 |
| | Head (4-bolt flange style) | | 794102 |
| | Head TNT-12 (4-bolt flange style) | | 792832 |
| 43E | Suction Valve Assembly | 2 | 793659 |
| | Suction Valve Assembly TNT-12 | | 792872 |
| | Suction Valve Assy, Stainless Steel | | 793629 |
| 43Z | Valve Repair Kit - For 793659/793679 | | 793660 |
| | Valve Repair Kit - For 793629 | | 793630 |
| 44E | Discharge Valve Assembly | 2 | 793679 |
| | Discharge Valve Assembly TNT-12 | | 792873 |
| | Discharge Valve Assy, Stainless Steel | | 793649 |
| 44Z | Valve Repair Kit - For 793659/793679 | | 793660 |
| | Valve Repair Kit - For 793649 | | 793650 |
| 45 | Cage | 4 | 794620 |
| | Cage TNT-12 | | 792835 |
| 48 | Valve Cover Plate | 4 | 794284 |
| | Valve Cover Plate TNT-12 | | 792817 |
| 49 | Valve Cap | 2 | 792003 |
| | Valve Cap TNT-12 | | 792804 |
| 60H | Gasket - Valve * | 4 | 794198 |
| 61S | O-Ring (Buna-N) Std * | 4 | 792306 |
| | O-Ring (FKM) * | | 792308 |
| | O-Ring (PTFE) * | | 792307 |
| | O-Ring (Neoprene) * | | 792309 |
| | O-Ring (Ethylene Propylene) * | | 792310 |
| 61T | O-Ring (Buna-N) Std * | 4 | 792112 |
| | O-Ring (FKM) * | | 792213 |
| | O-Ring (PTFE) * | | 792210 |
| | O-Ring (Neoprene) * | | 792110 |
| | O-Ring (Ethylene Propylene) * | | 792206 |

| Ref | Description | Qty | Part No |
|-----|--|-----|---------|
| 61V | O-Ring (Buna-N) Std * | 2 | 792412 |
| | O-Ring (FKM) * | | 792413 |
| | O-Ring (PTFE) * | | 792414 |
| | O-Ring (Neoprene) * | | 792410 |
| | O-Ring (Ethylene Propylene) * | | 792411 |
| 61Z | O-Ring (Buna-N) Std * | 2 | 792311 |
| | O-Ring (FKM) * | | 792313 |
| | O-Ring (PTFE) * | | 792312 |
| | O-Ring (Neoprene) * | | 792314 |
| | O-Ring (Ethylene Propylene) * | | 792320 |
| 63H | Capscrew - Hex Hd | 2 | 794115 |
| 63M | Capscrew - Hex Hd | 12 | 790053 |
| 63S | Capscrew - Hex Hd | 8 | 794096 |
| 63Y | Capscrew - Hex Hd | 16 | 793094 |
| 65B | Valve Holddown Screw | 4 | 792002 |
| | Valve Holddown Screw TNT-12 | | 792806 |
| 73E | Pipe Plug | 2 | 793498 |
| 75D | Tube Elbow | 1 | 790355 |
| 75E | Tube Tee | 1 | 790356 |
| 76D | Tube | 1 | 790192 |
| 92 | Flange-Inlet (2 NPT) Std | 1 | 794117 |
| | Flange-Inlet (2 NPT) TNT-12 | | 792837 |
| | Flange-Outlet (1.5 NPT) Std | 1 | 794116 |
| | Flange-Outlet (1.5 NPT) TNT-12 | | 792836 |
| | Flange (1.25 NPT) | | 794118 |
| | Flange (1.25 NPT) TNT-12 | | 792866 |
| 98A | Actuator Assembly | 2 | 794296 |
| | Actuator Assembly, for SS Valve | | 794298 |
| 98B | Unloader Post w/bolt ¹ | 2 | 793291 |
| | Unloader Post w/bolt ¹ , for SS Valve | | 794291 |
| 98C | Unloader Piston | 2 | 793288 |
| 98D | Unloader Body | 2 | 793286 |
| 98E | Unloader Plunger | 2 | 794290 |
| 98F | Unloader Seal | 4 | 792284 |
| 98G | Unloader Cap | 2 | 793287 |
| 98H | Lockwasher (2 piece) | 2 | 793473 |

* Included in Gasket Sets

¹ Unloader Post with bolt replaces earlier style unloader post with retainer ring.

Suggested Spare Parts for HD603B & HDL603B compressors:

| Part # | Description | Qty./Unit | Comm. Qty. | Spare Qty. |
|--|--|-----------|------------|------------|
| 794594 | Gasket Set - Buna-N | 1 | 1 | 1 |
| 794593 | Gasket Set - PTFE * | | | |
| 794592 | Gasket Set - FKM * | | | |
| 794590 | Gasket Set - Neoprene * | | | |
| 794589 | Gasket Set - Ethylene Propylene * | | | |
| 793660 | Suction Valve Repair Kit - PEEK | 2 | | 2 |
| 793630 | Suction Valve Repair Kit - Stainless Steel * | | | |
| 793660 | Discharge Valve Repair Kit - PEEK | 2 | | 2 |
| 793650 | Discharge Valve Repair Kit - Stainless Steel * | | | |
| 792284 | Unloader Seal * | 4 | | 4 |
| 793610 | Piston Ring - Standard | 6 | 6 | 6 |
| 793612 | Piston Ring - Poly Filled * | | | |
| 793614 | Piston Ring Expander | 6 | 6 | 6 |
| 794498 | Packing Set | 6 | 6 | 6 |
| 794726 | Oil Filter * | 1 | | 6 |
| 794727 | Wrist Pin | 2 | | 2 |
| 794749 | Wrist Pin Bushing | 2 | 2 | 2 |
| 794710 | Conrod Bearing | 2 | 2 | 2 |
| The following parts would normally be required only for major compressor overhaul. | | | | |
| 794730 | Inboard Bearing Cone | 1 | | 1 |
| 794731 | Inboard Bearing Cup | 1 | | 1 |
| 794130 | Outboard Bearing Cone | 1 | | 1 |
| 794131 | Outboard Bearing Cup | 1 | | 1 |
| 794435 | Crosshead Assembly | 2 | | 2 |
| 794728 | Conrod Assembly | 2 | | |
| 794760 | Oil Pump Repair Kit | 1 | | |
| 794708 | Crankshaft Assembly | 1 | | |
| 794733 | Bearing Adjustment Shim Kit | 1 | | |
| 794103 | Cylinder (HD603B) | 1 | | |
| 792831 | TNT-12 Treated Cyl. (HD603B) * | | | |
| 794503 | Cylinder (HDL603B) | 1 | | |
| 792876 | TNT-12 Treated Cyl. (HDL603B) * | | | |

* Optional Equipment on New Compressors