

HD942A PARTS LIST

Discontinued Model – parts availability may be limited.

Serial # _____

ID# _____

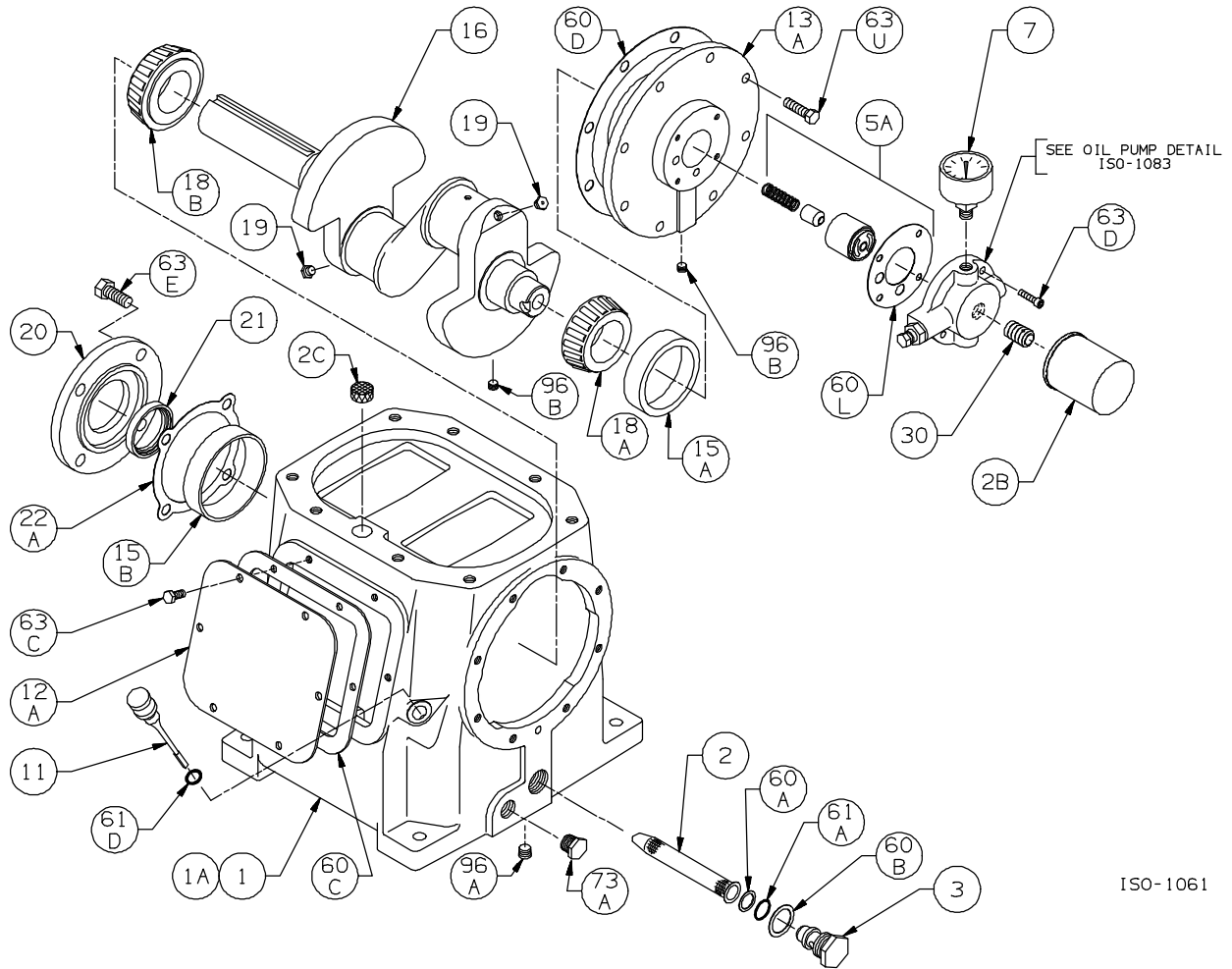
Gasket Sets and Special Tools

| | | |
|---------------------------------|---------------------------|--------|
| Gasket Set | Buna-N & Iron | 794792 |
| | PTFE & Iron | 794793 |
| | FKM & Iron | 794794 |
| | Neoprene & Iron | 794795 |
| | Ethylene Propylene & Iron | 794789 |
| Packing Installation Tool | | 790540 |
| Spanner Wrench, 1/4" Adjustable | | 790316 |
| Wrench for Valve Holdown Screw | | 790535 |

Bulletins Needed For Complete Parts List

| | |
|-------------------------|--------|
| This page | 9E-230 |
| Crankcase | 9F-050 |
| Oil Pump | 9G-011 |
| Flywheel | 9H-050 |
| Crosshead | 9J-120 |
| Packing | 9K-060 |
| Cylinder | 9L-110 |
| Cylinder with Unloaders | 9L-120 |

Notes:



ISO-1061

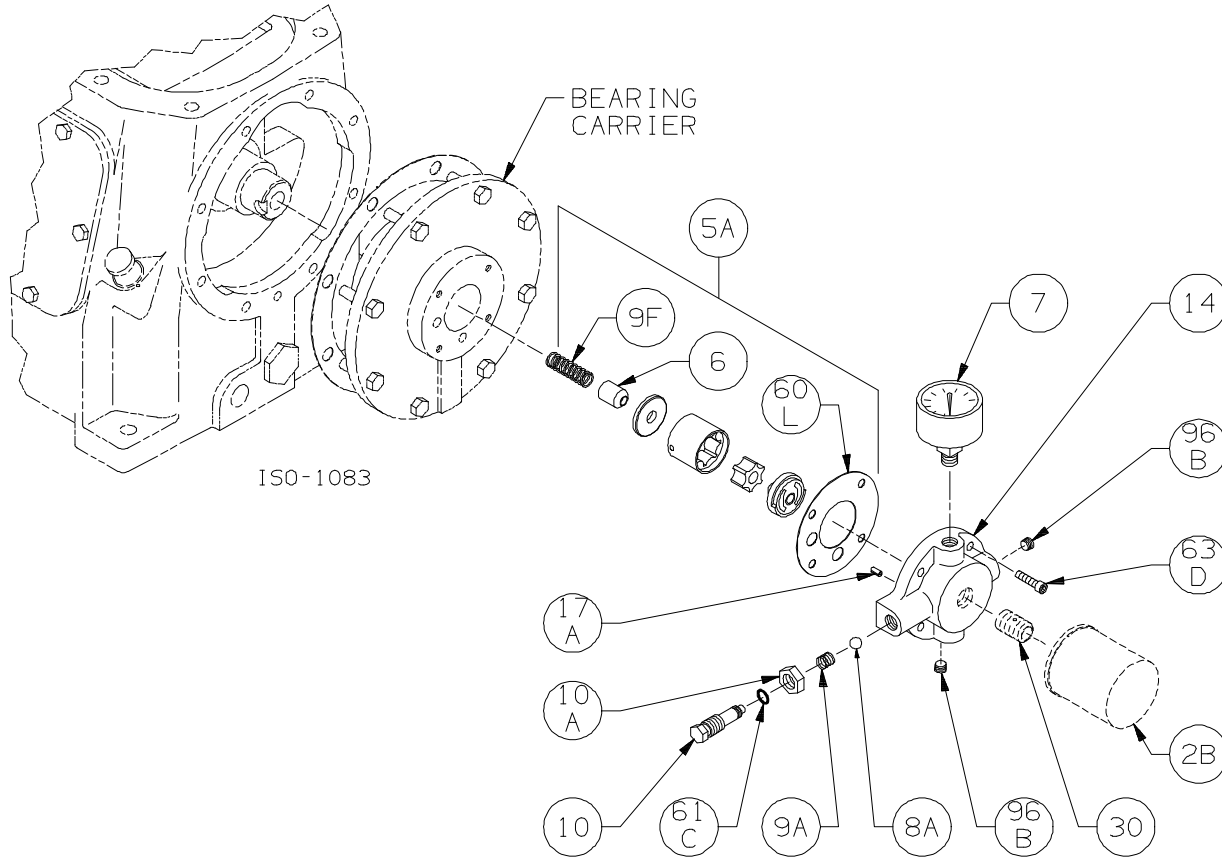
Crankcase Assembly: Models HD942A, HDL942A

ISO1056

| Ref | Description | Qty | Part No |
|-----|---|-----|---------|
| 1 | Crankcase Assembly - w\ Oil Filter | 1 | 794758 |
| 1A | Crankcase | 1 | 794709 |
| 2 | Oil Intake Screen | 1 | 792135 |
| 2B | Oil Filter | 1 | 794726 |
| 2C | Breather Filter | 1 | 794752 |
| 3 | Oil Screen Plug | 1 | 792145 |
| 5A | Oil Pump Kit | 1 | 794760 |
| 7 | Oil Pressure Gauge | 1 | 790012 |
| 11 | Oil Bayonet Assembly | 1 | 792162 |
| 12A | Inspection Plate | 1 | 794140 |
| 13A | Bearing Carrier | 1 | 794714 |
| 15A | Bearing Cup (Outboard) | 1 | 794131 |
| 15B | Bearing Cup (Inboard) | 1 | 794731 |
| 16 | Crankshaft Assembly (w\ 18A,18B,19,96B) | 1 | 794708 |
| 18A | Bearing Cone (Outboard) | 1 | 794130 |
| 18B | Bearing Cone (Inboard) | 1 | 794730 |
| 19 | Orifice | 2 | 792146 |
| 20 | Bearing Cover Plate | 1 | 794716 |

| Ref | Description | Qty | Part No |
|-----|-------------------------------------|-----|---------|
| 21 | Oil Seal | 1 | 794732 |
| 22A | Bearing Adjustment Shim Kit | 1 | 794733 |
| 30 | Oil Filter Fitting | 1 | 794725 |
| 60A | Gasket - Oil Screen * | 1 | 792136 |
| 60B | Gasket - Oil Screen Plug * | 1 | 792123 |
| 60C | Gasket - Inspection Plate * | 1 | 794122 |
| 60D | Gasket - Bearing Carrier Assembly * | 1 | 794720 |
| 60L | Gasket - Oil Pump Cover * | 1 | 794721 |
| 61A | O-Ring - Oil Screen * | 1 | 792175 |
| 61D | O-Ring - Oil Bayonet * | 1 | 792174 |
| 63C | Capscrew - Hex Hd | 6 | 793116 |
| 63D | Capscrew - Soc Hd | 4 | 790559 |
| 63E | Capscrew - Hex Hd | 4 | 790484 |
| 63U | Capscrew - Hex Hd | 8 | 792093 |
| 73A | Pipe Plug | 1 | 790024 |
| 96A | Pipe Plug | 1 | 790488 |
| 96B | Pipe Plug | 2 | 790309 |

* Included in Gasket Sets



ISO-1083

Oil Pump Detail for Models:

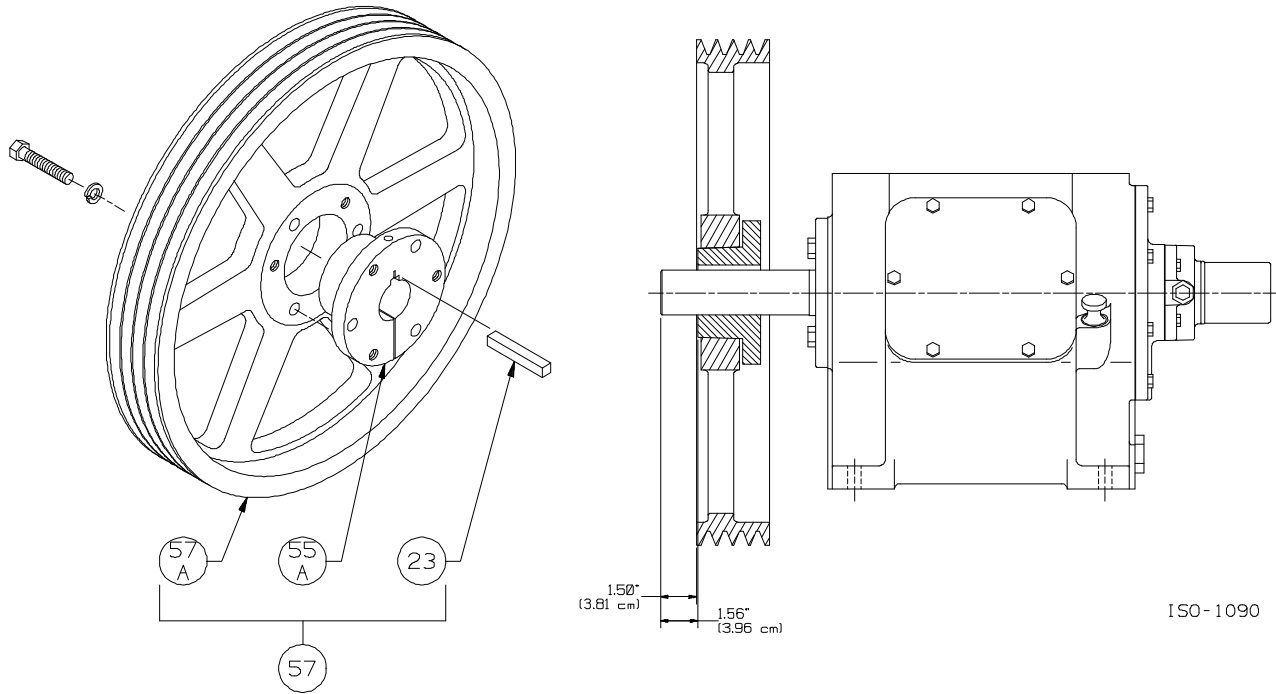
HD161C, HD161B, HD162C, HD162B, HD163C, HD163B,
 HD172C, HD172B, HD173C, HD173B,
 HDL341B, HDL342B, HDL343B, HDL341C, HDL342C, HDL343C,
 HD361C, HD361B, HD362C, HD362B, HD363C, HD363B
 HDL361B, HDL362B, HDL363B, HDL361C, HDL362C, HDL363C,
 HD372C, HD372B, HDL372C, HDL372B, HD373C, HD373B, HDL373C, HDL373B,
 HD601B, HD602B, HD603B, HDL601B, HDL602B, HDL603B,
 HD612B, HDL612B, HD613B, HDL613B,
 HD942A and HDL942A

ISO1083

| Ref | Description | Qty | Part No |
|-----|------------------------------|-----|---------|
| 2B | Oil Filter | 1 | 794726 |
| 5A | Oil Pump Kit (w/ 6, 9F, 60L) | | 794760 |
| 6 | Oil Pump Cone | 1 | 794750 |
| 7 | Oil Pressure Gauge | 1 | 790012 |
| 8A | Oil Pressure Adj. Ball | 1 | 792154 |
| 9A | Oil Pressure Adj. Spring | 1 | 792153 |
| 9F | Oil Pump Spring | 1 | 794751 |
| 10 | Oil Pressure Adj. Screw | 1 | 792148 |
| 10A | Locknut | 1 | 792152 |

| Ref | Description | Qty | Part No |
|-----|---------------------------------------|-----|---------|
| 14 | Oil Pump Cover Assembly - For Filter | 1 | 794764 |
| | with 17A, 96B | | |
| | Oil Pump Cover Assembly - w\ 17A, 96B | | 794763 |
| 17A | Roll Pin | 1 | 794753 |
| 30 | Oil Filter Fitting | 1 | 794725 |
| 60L | Gasket - Oil Pump Cover * | 1 | 794721 |
| 61C | O-Ring - Adjusting Screw * | 1 | 792168 |
| 63D | Capscrew - Soc. Hd | 4 | 790559 |
| 96B | Pipe Plug | 2 | 790309 |

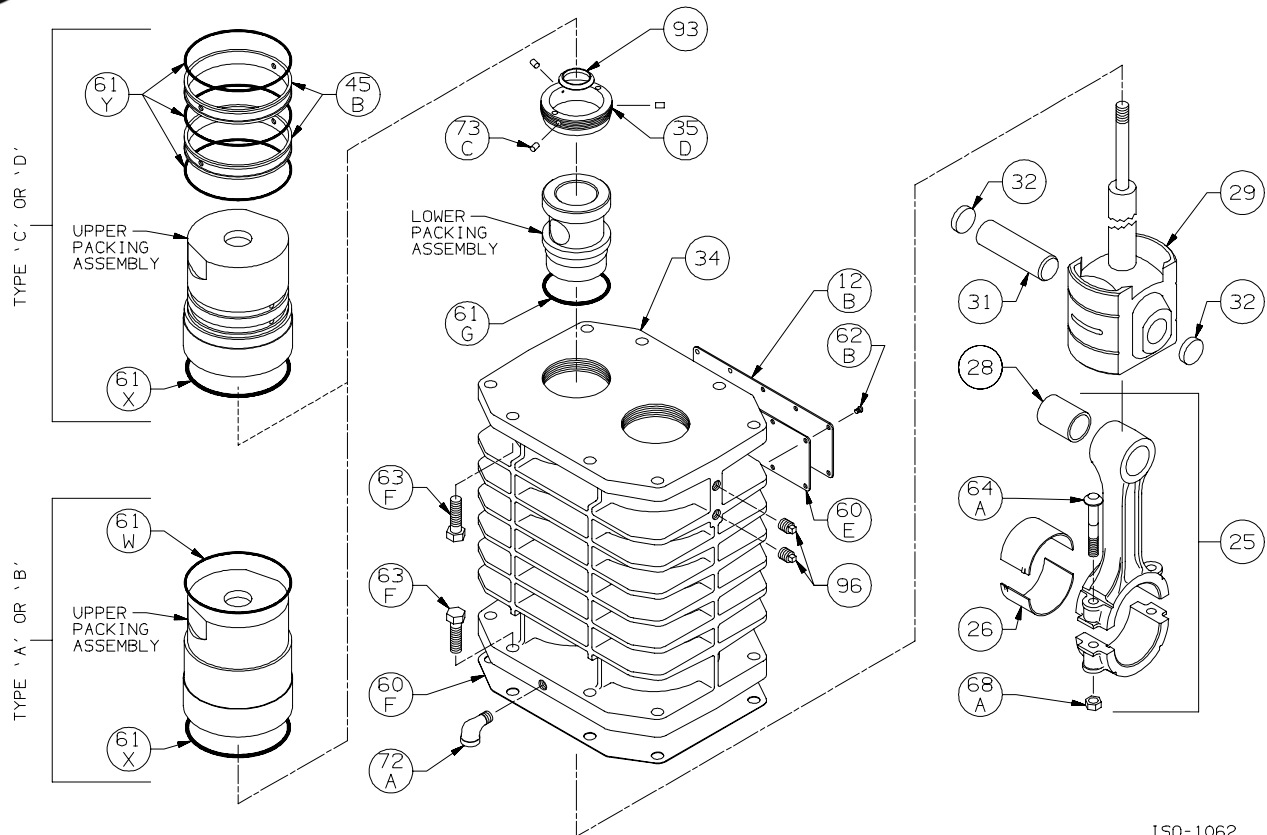
* Included in Gasket Sets



Flywheel Assembly:
HD942A, HDL942A

ISO1090

| Ref | Description | Qty | Part No |
|-----|-------------------|-----|---------|
| 23 | Key | 1 | 794267 |
| 55A | Hub | 1 | 790505 |
| 57 | Flywheel Assembly | 1 | 794755 |
| 57A | Flywheel | 1 | 790539 |



ISO-1062

Crosshead Assembly: HD942A, HDL942A

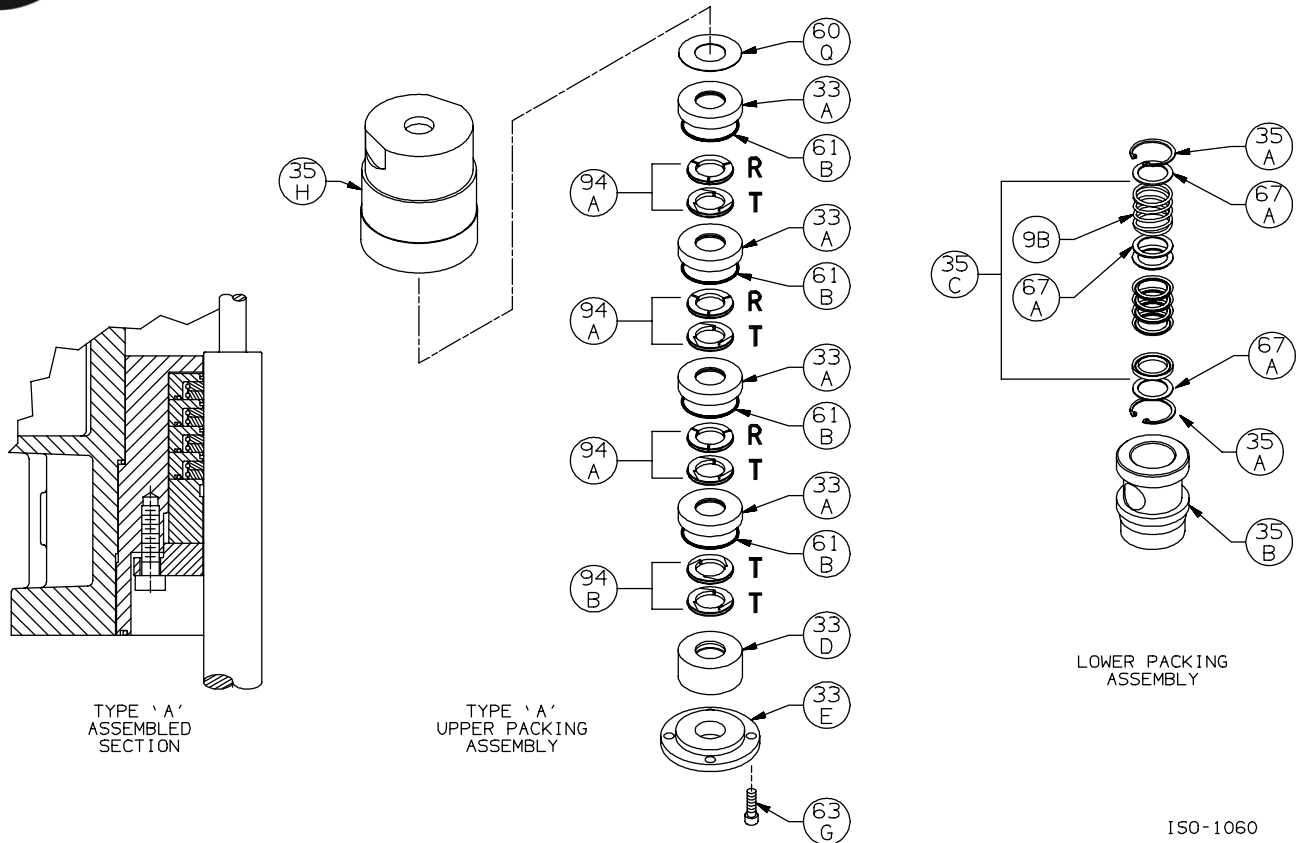
ISO1062

| Ref | Description | Qty | Part No |
|-----|-------------------------------|-----|---------|
| 12B | Inspection Plate | 1 | 794093 |
| 25 | Connecting Rod Assembly | 2 | 794728 |
| 26 | Connecting Rod Bearing | 2 | 794710 |
| 28 | Wrist Pin Bushing ** | 2 | 794749 |
| 29 | Crosshead Assembly | 2 | 794723 |
| 31 | Wrist Pin | 2 | 794727 |
| 32 | Wrist Pin Plug | 4 | 794724 |
| 34 | Crosshead Guide | 1 | 794430 |
| 35D | Hold-down Ring | 2 | 794220 |
| | Hold-down Ring TNT-12 | | 792839 |
| 45B | Vent Cage | 4 | 794744 |
| | Vent Cage TNT-12 | | 792869 |
| 60E | Gasket - Inspection Plate * | 1 | 794092 |
| 60F | Gasket - Crankcase * | 1 | 794121 |
| 61G | O-Ring (Buna-N) Std * | 2 | 794082 |
| | O-Ring (FKM) * | | 794213 |
| | O-Ring (PTFE) * | | 794208 |
| | O-Ring (Neoprene) * | | 794090 |
| | O-Ring (Ethylene Propylene) * | | 794206 |

| Ref | Description | Qty | Part No |
|-----|----------------------------------|-----|---------|
| 61W | O-Ring (Buna-N) Std * | 2 | 792315 |
| | O-Ring (FKM) * | | 792316 |
| | O-Ring (PTFE) * | | 792317 |
| | O-Ring (Neoprene) * | | 792318 |
| | O-Ring (Ethylene Propylene) * | | 792319 |
| 61X | O-Ring (Buna-N) Std * | 2 | 792252 |
| | O-Ring (FKM) * | | 792253 |
| | O-Ring (PTFE) * | | 792254 |
| | O-Ring (Neoprene) * | | 792255 |
| | O-Ring (Ethylene Propylene) * | | 792256 |
| 61Y | O-Ring (Buna-N) Std * | 6 | 792315 |
| | O-Ring (FKM) * | | 792316 |
| | O-Ring (PTFE) * | | 792317 |
| | O-Ring (Neoprene) * | | 792318 |
| | O-Ring (Ethylene Propylene) * | | 792319 |
| 62B | Machine Screw - Inspection Plate | 10 | 793096 |
| 63F | Capscrew - Hex Hd | 16 | 794094 |
| 64A | Connecting Rod Bolt | 4 | 794012 |
| 68A | Connecting Rod Bolt Nut | 4 | 794013 |
| 72A | Elbow - Vent | 1 | 790453 |
| 73C | Lock Plug * | 6 | 794028 |
| 93 | Oil Deflector Ring | 2 | 794478 |
| 96 | Pipe Plug | 4 | 793498 |

*Included in Gasket Sets

** Must be honed after installing



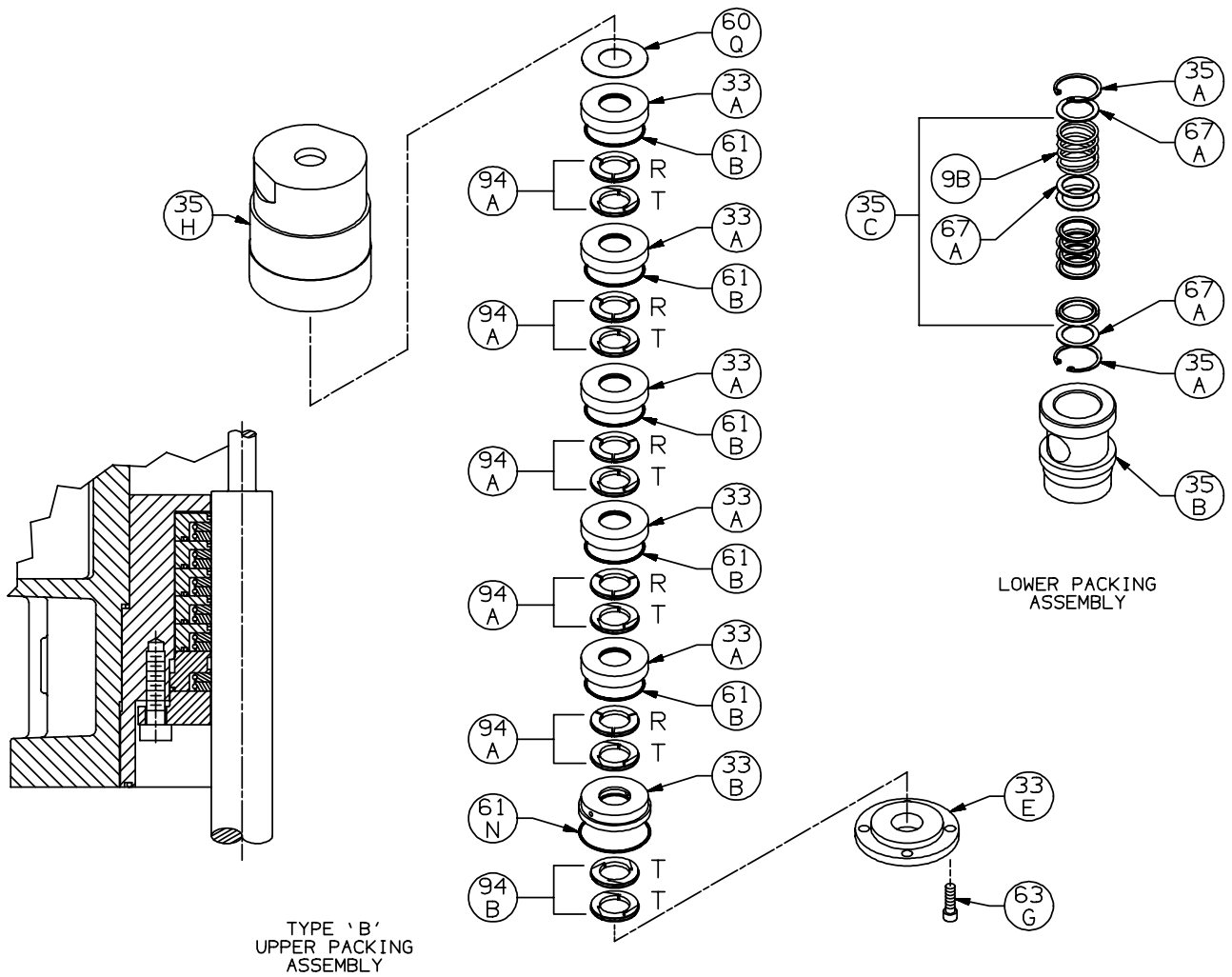
Packing Detail - Type 'A': HD942A, HDL942A

ISO1060

| Ref | Description | Qty | Part No |
|-----|----------------------------|-----|---------|
| 9B | Packing Spring | 2 | 794083 |
| 33A | Packing Cup | 8 | 794741 |
| | Packing Cup TNT-12 | | 792862 |
| 33D | Packing Spacer | 2 | 794745 |
| | Packing Spacer TNT-12 | | 792868 |
| 33E | Packing Gland | 2 | 794740 |
| | Packing Gland TNT-12 | | 792861 |
| 35A | Retainer Ring | 4 | 794080 |
| 35B | Packing Box - Lower | 2 | 794739 |
| | Packing Box - Lower TNT-12 | | 792860 |
| 35C | Packing Set | 2 | 794499 |

*Included in Gasket Sets

| Ref | Description | Qty | Part No |
|-----|-------------------------------|-----|---------|
| 35H | Packing Box - Upper | 2 | 794738 |
| | Packing Box - Upper TNT-12 | | 792859 |
| 60Q | Gasket - Packing Cup * | 2 | 794754 |
| 61B | O-Ring (Buna-N) Std * | 8 | 792260 |
| | O-Ring (FKM) * | | 792261 |
| | O-Ring (PTFE) * | | 792262 |
| | O-Ring (Neoprene) * | | 792263 |
| | O-Ring (Ethylene Propylene) * | | 792264 |
| 63G | Capscrew - Socket Hd | 8 | 790483 |
| 67A | Washer - Packing Box | 6 | 794084 |
| 94A | Packing Ring - R/T | 6 | 794746 |
| 94B | Packing Ring - T/T | 2 | 794747 |



ISO-1063

Packing Assembly, Type 'B': HD942A, HDL942A

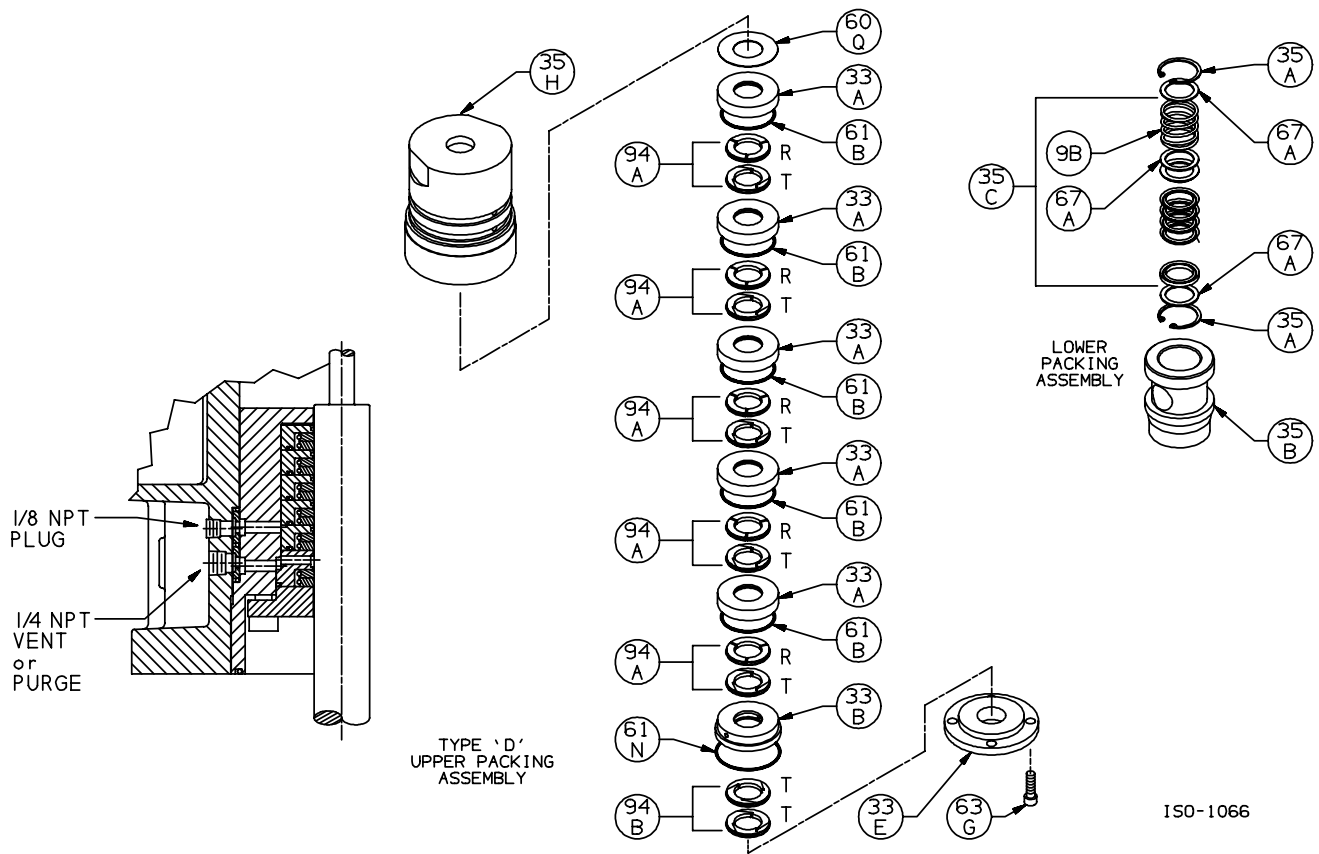
ISO1063

| Ref | Description | Qty | Part No |
|-----|---|-----|------------------|
| 9B | Packing Spring | 2 | 794083 |
| 33A | Packing Cup Packing Cup TNT-12 | 10 | 794741 792862 |
| 33B | Packing Cup Packing Cup TNT-12 | 2 | 794742 792863 |
| 33E | Packing Gland Packing Gland TNT-12 | 2 | 794740 792861 |
| 35A | Retainer Ring | 4 | 794080 |
| 35B | Packing Box - Lower Packing Box - Lower TNT-12 | 2 | 794739 792860 |
| 35C | Packing Set | 2 | 794499 |
| 35H | Packing Box - Upper Packing Box - Upper TNT-12 | 2 | 794738 792859 |
| 60Q | Gasket - Packing Cup * | 2 | 794754 |

| Ref | Description | Qty | Part No |
|-----|--|-----|--|
| 61B | O-Ring (Buna-N) Std * O-Ring (FKM) * O-Ring (PTFE) * O-Ring (Neoprene) * O-Ring (Ethylene Propylene) * | 10 | 792260 792261 792262 792263 792264 |
| 61N | O-Ring (Buna-N) Std * O-Ring (FKM) * O-Ring (PTFE) * O-Ring (Neoprene) * O-Ring (Ethylene Propylene) * | 2 | 792224 792225 792226 792227 792233 |
| 63G | Capscrew - Socket Hd | 8 | 790483 |
| 67A | Washer - Packing Box | 6 | 794084 |
| 94A | Packing Ring - R/T | 10 | 794746 |
| 94B | Packing Ring - T/T | 2 | 794747 |

*Included in Gasket Sets





ISO-1066

Packing Assembly, Type 'D': HD942A, HDL942A

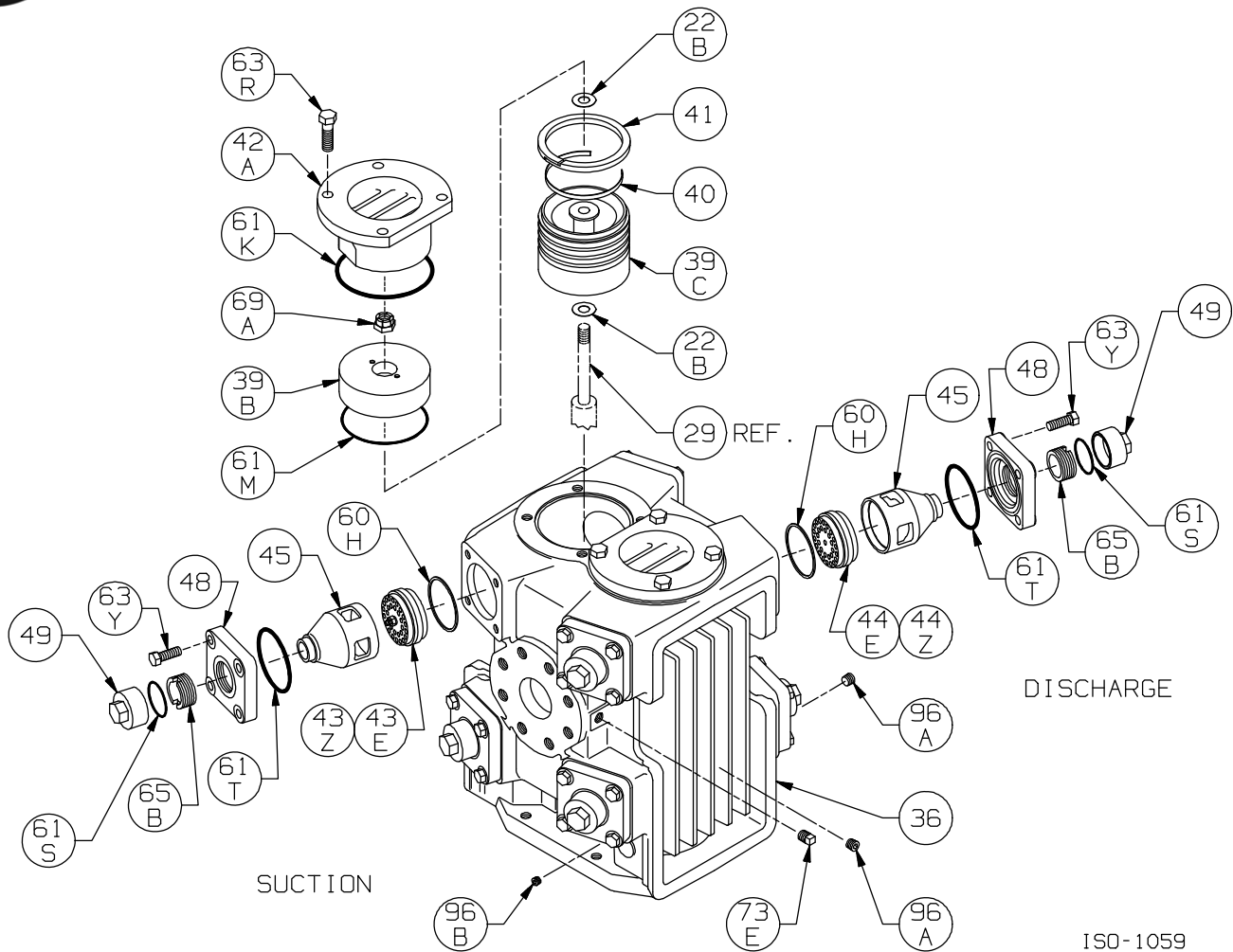
ISO1066

| Ref | Description | Qty | Part No |
|-----|---|-----|------------------|
| 9B | Packing Spring | 2 | 794083 |
| 33A | Packing Cup Packing Cup TNT-12 | 10 | 794741 792862 |
| 33B | Packing Cup - Vent Packing Cup - Vent TNT-12 | 2 | 794742 792863 |
| 33E | Packing Gland Packing Gland TNT-12 | 2 | 794740 792861 |
| 35A | Retainer Ring | 4 | 794080 |
| 35B | Packing Box - Lower Packing Box - Lower TNT-12 | 2 | 794739 792860 |
| 35C | Packing Set | 2 | 794499 |
| 35H | Packing Box - Upper Packing Box - Upper TNT-12 | 2 | 794737 792858 |
| 60Q | Gasket - Packing Cup * | 2 | 794754 |

| Ref | Description | Qty | Part No |
|-----|--|-----|--|
| 61B | O-Ring (Buna-N) Std * O-Ring (FKM) * O-Ring (PTFE) * O-Ring (Neoprene) * O-Ring (Ethylene Propylene) * | 10 | 792260 792261 792262 792263 792264 |
| 61N | O-Ring (Buna-N) Std * O-Ring (FKM) * O-Ring (PTFE) * O-Ring (Neoprene) * O-Ring (Ethylene Propylene) * | 2 | 792224 792225 792226 792227 792233 |
| 63G | Capscrew - Socket Hd | 8 | 790483 |
| 67A | Washer - Packing Box | 6 | 794084 |
| 94A | Packing Ring - R/T | 10 | 794746 |
| 94B | Packing Ring - T/T | 2 | 794747 |

*Included in Gasket Sets





Cylinder Assembly: HD942B, HD942A

OVER.....

Cylinder Assembly: HD942B, HD942A

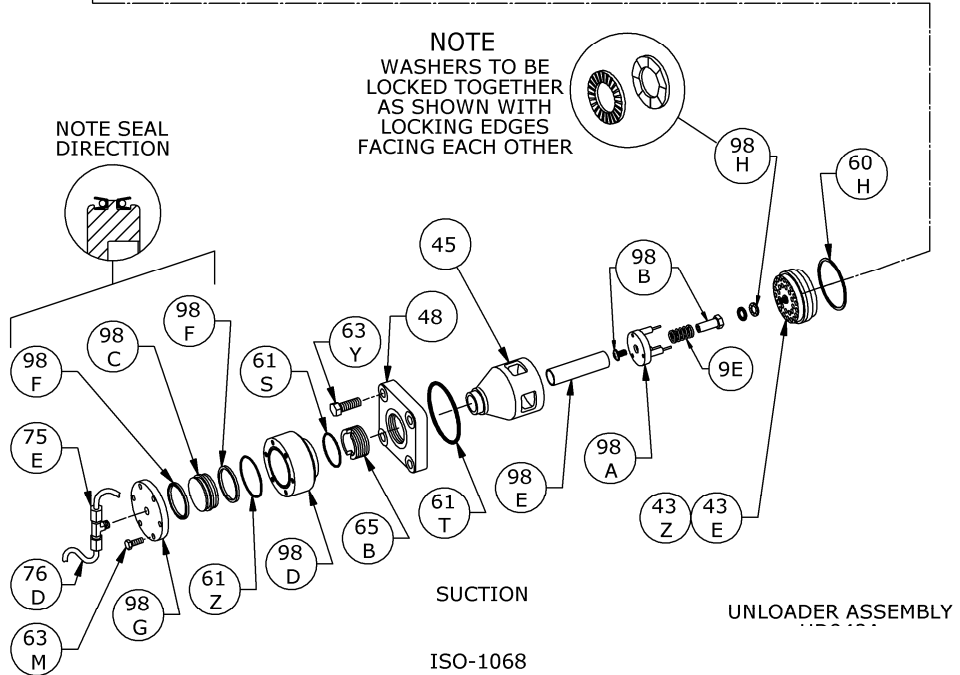
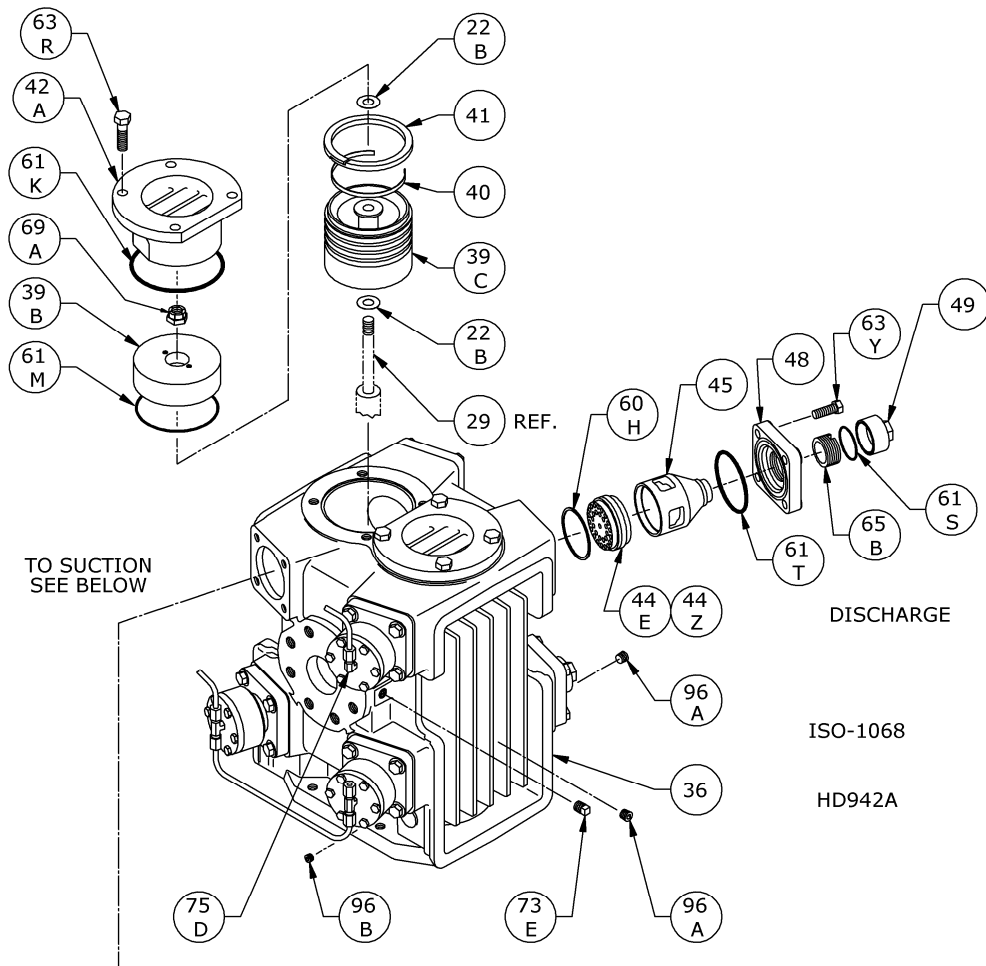
ISO1059

| Ref | Description | Qty | Part No |
|-----|--|----------|----------------------------|
| 22B | Piston Shim - 0.015 Piston Shim - 0.007 | AR AR | 794762 794761 |
| 36 | Cylinder Cylinder TNT-12 | 1 | 794704 792855 |
| 39B | Piston Cap Piston Cap TNT-12 | 2 | 794719 792853 |
| 39C | Piston Piston TNT-12 | 2 | 794718 792854 |
| 40 | Expander | 8 | 793614 |
| 41 | Piston Ring - Glass/Moly Filled, Std Piston Ring - Poly Filled | 8 | 793610 793612 |
| 42A | Head | 2 | 794702 |
| 42A | Head TNT-12 | | 792856 |
| 43E | Suction Valve Assembly Suction Valve Assembly TNT-12 Suction Valve Assy, Stainless Steel | 4 | 793659 792872 793629 |
| 43Z | Valve Repair Kit - For 793659/793679 Valve Repair Kit - For 793629 | | 793660 793630 |
| 44E | Discharge Valve Assembly Discharge Valve Assembly TNT-12 Discharge Valve Assy, Stainless Steel | 4 | 793679 792873 793649 |
| 44Z | Valve Repair Kit - For 793659/793679 Valve Repair Kit - For 793649 | | 793660 793650 |
| 45 | Cage Cage TNT-12 | 8 | 794620 792835 |
| 48 | Valve Cover Plate Valve Cover Plate TNT-12 | 8 | 794284 792817 |
| 49 | Valve Cap Valve Cap TNT-12 | 8 | 792003 792804 |
| 60H | Gasket - Valve * | 8 | 794198 |

| Ref | Description | Qty | Part No |
|-----|---|-----|------------------|
| 61K | O-Ring (Buna-N) Std * | 2 | 792315 |
| | O-Ring (FKM) * | | 792316 |
| | O-Ring (PTFE) * | | 792317 |
| | O-Ring (Neoprene) * | | 792318 |
| | O-Ring (Ethylene Propylene) * | | 792319 |
| 61M | O-Ring (Buna-N) Std * | 2 | 792060 |
| | O-Ring (FKM) * | | 792061 |
| | O-Ring (PTFE) * | | 792062 |
| | O-Ring (Neoprene) * | | 792063 |
| | O-Ring (Ethylene Propylene) * | | 792075 |
| 61S | O-Ring (Buna-N) Std * | 8 | 792306 |
| | O-Ring (FKM) * | | 792308 |
| | O-Ring (PTFE) * | | 792307 |
| | O-Ring (Neoprene) * | | 792309 |
| | O-Ring (Ethylene Propylene) * | | 792310 |
| 61T | O-Ring (Buna-N) Std * | 8 | 792112 |
| | O-Ring (FKM) * | | 792213 |
| | O-Ring (PTFE) * | | 792210 |
| | O-Ring (Neoprene) * | | 792110 |
| | O-Ring (Ethylene Propylene) * | | 792206 |
| 63R | Capscrew - Hex Hd | 8 | 794097 |
| 63Y | Capscrew - Hex Hd | 32 | 793094 |
| 65B | Valve Holddown Screw Valve Holddown Screw TNT-12 | 8 | 792002 792806 |
| 69A | Piston Nut Piston Nut TNT-12 | 2 | 790487 792857 |
| 73E | Pipe Plug - 1/4 | 4 | 793498 |
| 96A | Pipe Plug - 1/4 Socket | 4 | 790488 |
| 96B | Pipe Plug - 1/8 Socket | 2 | 790309 |

* Included in Gasket Sets





Cylinder with Unloader Assembly: HD942B, HD942A

Cylinder with Unloader Assembly: HD942B, HD942A

ISO1068

| Ref | Description | Qty | Part No |
|-----|---------------------------------------|-----|---------|
| 9E | Unloader Spring | 4 | 793293 |
| 22B | Piston Shim - 0.015 | AR | 794762 |
| | Piston Shim - 0.007 | AR | 794761 |
| 36 | Cylinder | 1 | 794704 |
| | Cylinder TNT-12 | | 792855 |
| 39B | Piston Cap | 2 | 794719 |
| | Piston Cap TNT-12 | | 792853 |
| 39C | Piston | 2 | 794718 |
| | Piston TNT-12 | | 792854 |
| 40 | Expander | 8 | 793614 |
| 41 | Piston Ring – Glass/Moly Filled, Std | 8 | 793610 |
| | Piston Ring - Poly Filled | | 793612 |
| 42A | Head | 2 | 794702 |
| | Head TNT-12 | | 792856 |
| 43E | Suction Valve Assembly | 4 | 793659 |
| | Suction Valve Assembly TNT-12 | | 792872 |
| | Suction Valve Assy, Stainless Steel | | 793629 |
| 43Z | Valve Repair Kit - For 793659/793679 | | 793660 |
| | Valve Repair Kit - For 793629 | | 793630 |
| 44E | Discharge Valve Assembly | 4 | 793679 |
| | Discharge Valve Assembly TNT-12 | | 792873 |
| | Discharge Valve Assy, Stainless Steel | | 793649 |
| 44Z | Valve Repair Kit - For 793659/793679 | | 793660 |
| | Valve Repair Kit - For 793649 | | 793650 |
| 45 | Cage | 8 | 794620 |
| | Cage TNT-12 | | 792835 |
| 48 | Valve Cover Plate | 8 | 794284 |
| | Valve Cover Plate TNT-12 | | 792817 |
| 49 | Valve Cap | 4 | 792003 |
| | Valve Cap TNT-12 | | 792804 |
| 60H | Gasket - Valve * | 8 | 794198 |
| 61K | O-Ring (Buna-N) Std * | 2 | 792315 |
| | O-Ring (FKM) * | | 792316 |
| | O-Ring (PTFE) * | | 792317 |
| | O-Ring (Neoprene) * | | 792318 |
| | O-Ring (Ethylene Propylene) * | | 792319 |
| 61M | O-Ring (Buna-N) Std * | 2 | 792060 |
| | O-Ring (FKM) * | | 792061 |
| | O-Ring (PTFE) * | | 792062 |
| | O-Ring (Neoprene) * | | 792063 |
| | O-Ring (Ethylene Propylene) * | | 792064 |

| Ref | Description | Qty | Part No |
|-----|--|-----|---------|
| 61S | O-Ring (Buna-N) Std * | 8 | 792306 |
| | O-Ring (FKM) * | | 792308 |
| | O-Ring (PTFE) * | | 792307 |
| | O-Ring (Neoprene) * | | 792309 |
| | O-Ring (Ethylene Propylene) * | | 792310 |
| 61T | O-Ring (Buna-N) Std * | 8 | 792112 |
| | O-Ring (FKM) * | | 792213 |
| | O-Ring (PTFE) * | | 792210 |
| | O-Ring (Neoprene) * | | 792110 |
| | O-Ring (Ethylene Propylene) * | | 792206 |
| 61Z | O-Ring (Buna-N) Std * | 4 | 792311 |
| | O-Ring (FKM) * | | 792313 |
| | O-Ring (PTFE) * | | 792312 |
| | O-Ring (Neoprene) * | | 792314 |
| | O-Ring (Ethylene Propylene) * | | 792320 |
| 63M | Capscrew - Hex Hd | 24 | 790053 |
| 63R | Capscrew - Hex Hd | 8 | 794097 |
| 63Y | Capscrew - Hex Hd | 32 | 793094 |
| 65B | Valve Holddown Screw | 8 | 792002 |
| 65B | Valve Holddown Screw TNT-12 | | 792806 |
| 69A | Piston Nut | 2 | 790487 |
| | Piston Nut TNT-12 | | 792857 |
| 73E | Pipe Plug - 1/4 | 4 | 793498 |
| 75D | Tube Elbow | 1 | 790355 |
| 75E | Tube Tee | 3 | 790356 |
| 76D | Tube | 3 | 790192 |
| 96A | Pipe Plug - 1/4 Socket | 4 | 790488 |
| 96B | Pipe Plug - 1/8 Socket | 2 | 790309 |
| 98A | Actuator Assembly | 4 | 794296 |
| | Actuator Assembly, for SS Valve | | 794298 |
| 98B | Unloader Post w/bolt ¹ | 4 | 793291 |
| | Unloader Post w/bolt ¹ , for SS Valve | | 794291 |
| 98C | Unloader Piston | 4 | 793288 |
| 98D | Unloader Body | 4 | 793286 |
| 98E | Unloader Plunger | 4 | 794290 |
| 98F | Unloader Seal | 8 | 792284 |
| 98H | Lockwasher (2 piece) | 4 | 793473 |
| 98G | Unloader Cap | 4 | 793287 |

* Included in Gasket Sets

¹ Unloader Post with bolt replaces earlier style unloader post with retainer ring.

Suggested Spare Parts for HD942A Compressors:

| Part # | Description | Qty./Unit | Comm. Qty. | Spare Qty. |
|--|--|-----------|------------|------------|
| 794792 | Gasket Set - Buna-N, Iron | 1 | 1 | 1 |
| 794793 | Gasket Set - PTFE, Iron * | | | |
| 794794 | Gasket Set - FKM, Iron * | | | |
| 794795 | Gasket Set - Neoprene, Iron * | | | |
| 794789 | Gasket Set - Ethylene Propylene, Iron * | | | |
| 793660 | Suction Valve Repair Kit | 4 | | 4 |
| 793630 | Suction Valve Repair Kit - Stainless Steel * | | | |
| 793660 | Discharge Valve Repair Kit | 4 | | 4 |
| 793650 | Discharge Valve Repair Kit - Stainless Steel * | | | |
| 792284 | Unloader Seal * | 8 | | 8 |
| 793610 | Piston Ring - Oil Seal * | 8 | 8 | 8 |
| 793612 | Piston Ring - Poly Filled * | | | |
| 793614 | Piston Ring Expander | 8 | | 8 |
| 794746 | Upper Packing Ring - R/T | 6 | 6 | 6 |
| | Packing Type A | 10 | 10 | 10 |
| | Packing Type B or D | | | |
| 794747 | Upper Packing Ring - T/T | 2 | 2 | 2 |
| 794499 | Lower Packing Set | 2 | 2 | 2 |
| 794726 | Oil Filter | 1 | 1 | 6 |
| 794727 | Wrist Pin | 2 | | 2 |
| 794749 | Wrist Pin Bushing | 2 | 2 | 2 |
| 794710 | Conrod Bearing | 2 | 2 | 2 |
| The following parts would normally be required only for major compressor overhaul. | | | | |
| 794730 | Inboard Bearing Cone | 1 | | 1 |
| 794731 | Inboard Bearing Cup | 1 | | 1 |
| 794130 | Outboard Bearing Cone | 1 | | 1 |
| 794131 | Outboard Bearing Cup | 1 | | 1 |
| 794723 | Crosshead Assembly | 2 | | 1 |
| 794728 | Conrod Assembly | 2 | | 1 |
| 794760 | Oil Pump Repair Kit | 1 | | |
| 794708 | Crankshaft Assembly | 1 | | |
| 794733 | Bearing Adjustment Shim Kit | 1 | | |
| 794704 | Cylinder | 1 | | |

* Optional Equipment on New Compressors