

Suggested Spare Parts for HD612A and HDL612A compressors:

Part #	Description	Qty./Unit	Comm. Qty.	Spare Qty.
794699	Gasket Set - Buna-N	1	1	1
794698	Gasket Set - PTFE *			
794697	Gasket Set - FKM *			
794696	Gasket Set - Neoprene *			
794660	St1 Suction Valve Repair Kit - PEEK	1		1
794630	St1 Suction Valve Repair Kit - Stainless Steel *			
793660	St2 Suction Valve Repair Kit - PEEK	1		
793630	St2 Suction Valve Repair Kit - Stainless Steel			
794660	St1 Discharge Valve Repair Kit - PEEK	1		1
794650	St1 Discharge Valve Repair Kit - Stainless Steel *			
793660	St2 Discharge Valve Repair Kit - PEEK	1		1
793650	St2 Discharge Valve Repair Kit - Stainless Steel *			
792284	Unloader Seal *	4		4
794610	St1 Piston Ring - Standard	3	3	3
794612	St1 Piston Ring - Poly Filled *			
794614	St1 Piston Ring Expander	3	3	3
794611	St2 Piston Ring - Standard	3		3
794613	St2 Piston Ring - Poly Filled *			
794615	St2 Piston Ring Expander	3		3
794499	Packing Set	4	4	4
790003	Oil Filter *	1		6
794004	Wrist Pin	2		2
793003	Wrist Pin Bushing	2	2	2
794002	Conrod Bearing	2	2	2
The following parts would normally be required only for major compressor overhaul.				
794130	Inboard Bearing Cone	1		1
794131	Inboard Bearing Cup	1		1
793142	Outboard Bearing Cone	1		1
793126	Outboard Bearing Cup	1		1
794429	Crosshead Assembly	2		1
794009	Conrod Assembly	2		1
798856	Oil Pump Repair Kit	1		
794626	Crankshaft Assembly	1		
794033	Bearing Adjustment Shim Kit	1		
794601	Cylinder (HD612)	1		
792845	TNT-12 Treated Cylinder *			
794701	Cylinder (HDL612)	1		
792852	TNT-12 Treated Cylinder *			

* Optional Equipment on New Compressors

HDL612A PARTS LIST

Discontinued Model – parts availability may be limited.

Serial # _____

ID# _____

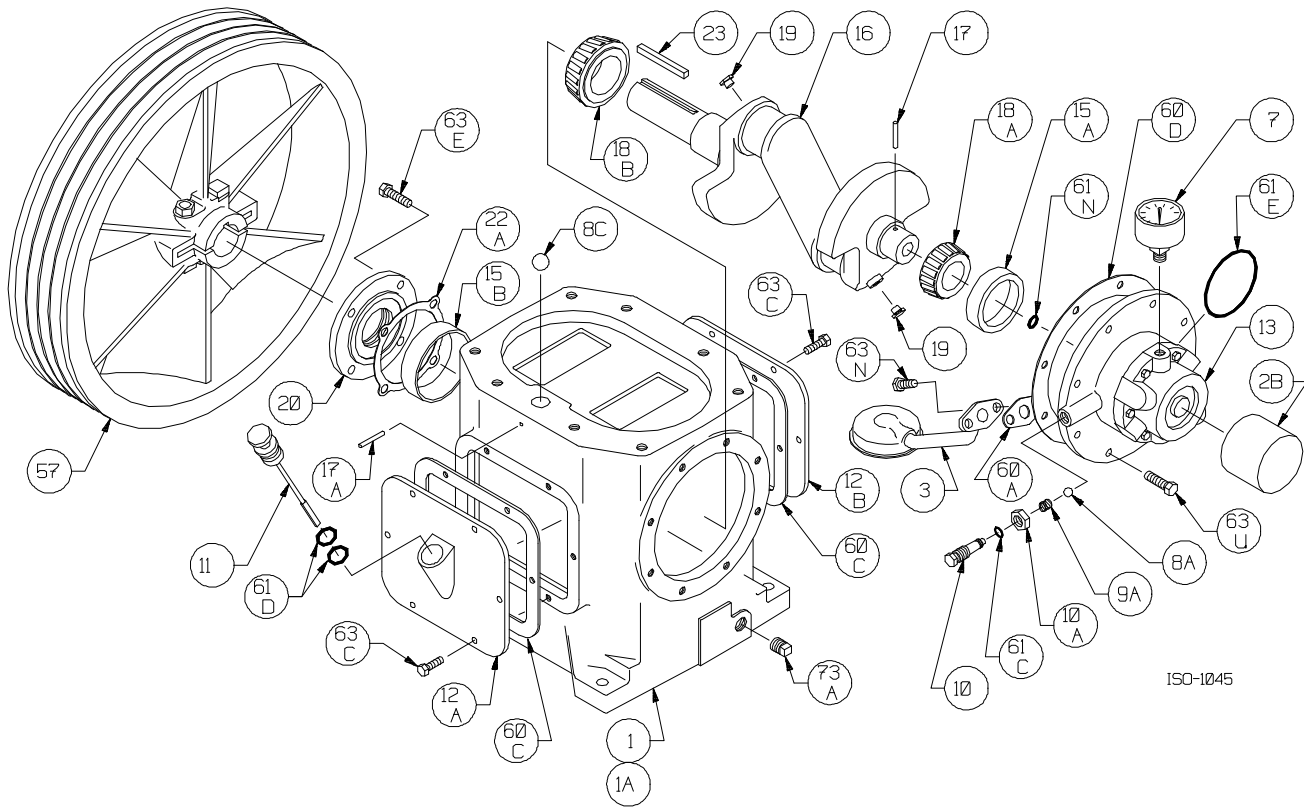
Gasket Sets and Special Tools

Gasket Set	Buna-N & Iron	794699
	FKM & Iron	794697
	PTFE & Iron	794698
	Neoprene & Iron	794696
Packing Installation Tool		790538
Spanner Wrench, 1/4" Adjustable		790316
Wrench for Valve Holdown Screw		790535
Tool Kit		790199

Bulletins Needed For Complete Parts List

This page	9E-210
Crankcase	9F-040
Oil Pump	9G-010
Crosshead	9J-090
Cylinder	9L-100
Head	9M-170
Head with Unloaders	9M-180

Notes:

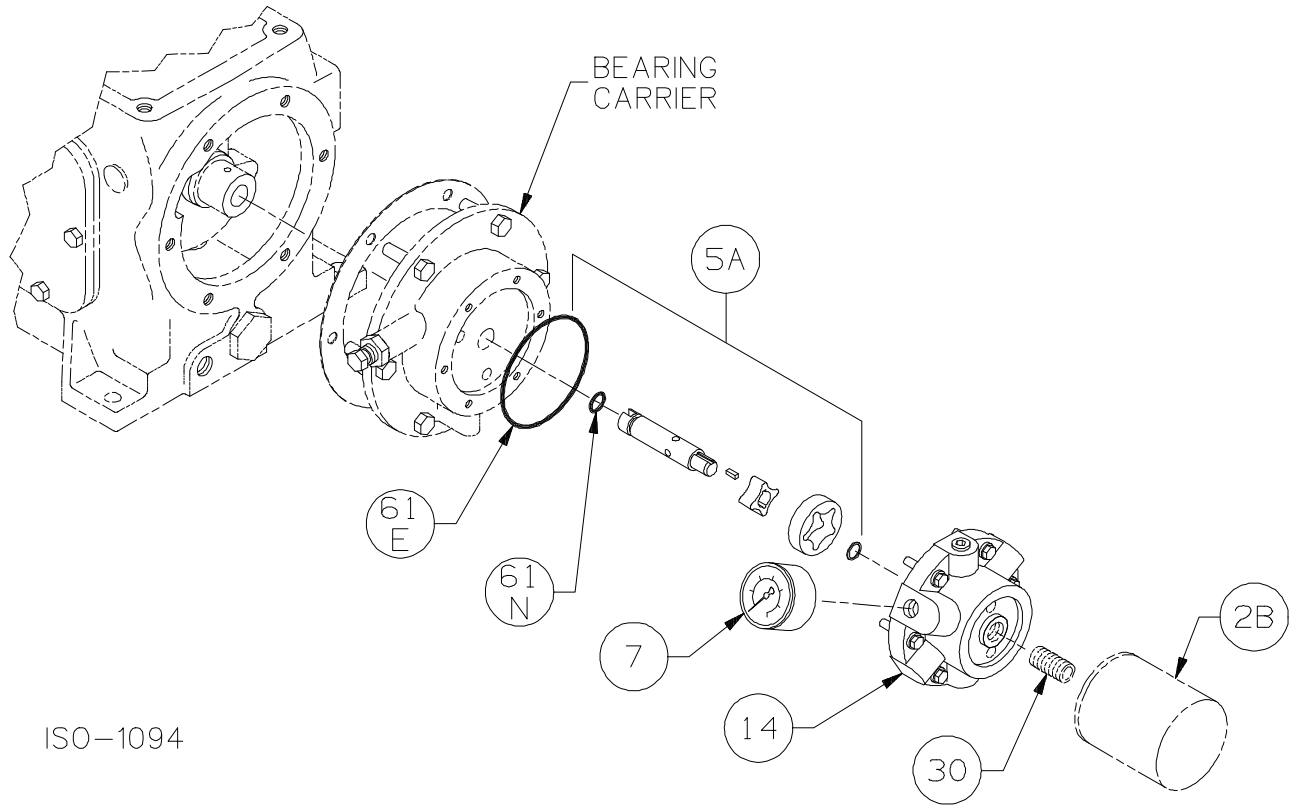


Crankcase Assembly: Models HD612A, HDL612A

Ref	Description	Qty	Part No
1	Crankcase Assembly (less flywheel)	1	794619
1A	Crankcase	1	794138
2B	Oil Filter	1	790003
3	Oil Strainer Assembly	1	794169
7	Oil Pressure Gauge	1	790012
8A	Oil Pressure Adjusting Ball	1	792154
8C	Breather Ball	1	794156
9A	Oil Pressure Adjusting Spring	1	792153
10	Oil Pressure Adjusting Screw	1	792148
10A	Locknut	1	792152
11	Oil Bayonet Assembly	1	794199
12A	Inspection Plate - Bayonet	1	794141
12B	Inspection Plate - Plain	1	794140
13	Bearing Carrier Assembly Bearing Carrier Assy. with Oil Filter	1	794219 794223
15A	Bearing Cup (Outboard)	1	793126
15B	Bearing Cup (Inboard)	1	794131
16	Crankshaft Assembly (w/ 18A,18B & 19)	1	794626
17	Oil Pump Drive Pin	1	794146
18A	Bearing Cone (Outboard)	1	793142

Ref	Description	Qty	Part No
18B	Bearing Cone (Inboard)	1	794130
19	Orifice	2	792146
20	Bearing Cover Plate	1	794137
22A	Bearing Adjustment Shim Kit	1	794033
23	Key	1	794166
57	Flywheel Assembly	1	794128
60A	Gasket - Oil Strainer Assembly *	1	794123
60C	Gasket - Inspection Plate *	2	794122
60D	Gasket - Bearing Carrier Assy. *	1	794124
61C	O-Ring - Adjusting Screw *	1	792168
61D	O-Ring - Oil Bayonet *	2	794163
61E	O-Ring - Oil Pump Cover *	1	792186
61N	O-Ring - Oil Pump Shaft *	1	792174
63C	Capscrew - Hex Hd	12	793116
63E	Capscrew - Hex Hd	4	793158
63N	Capscrew - Hex Hd	2	792093
63U	Capscrew - Hex Hd	8	792093
73A	Pipe Plug	1	790024

* Included in Gasket Sets



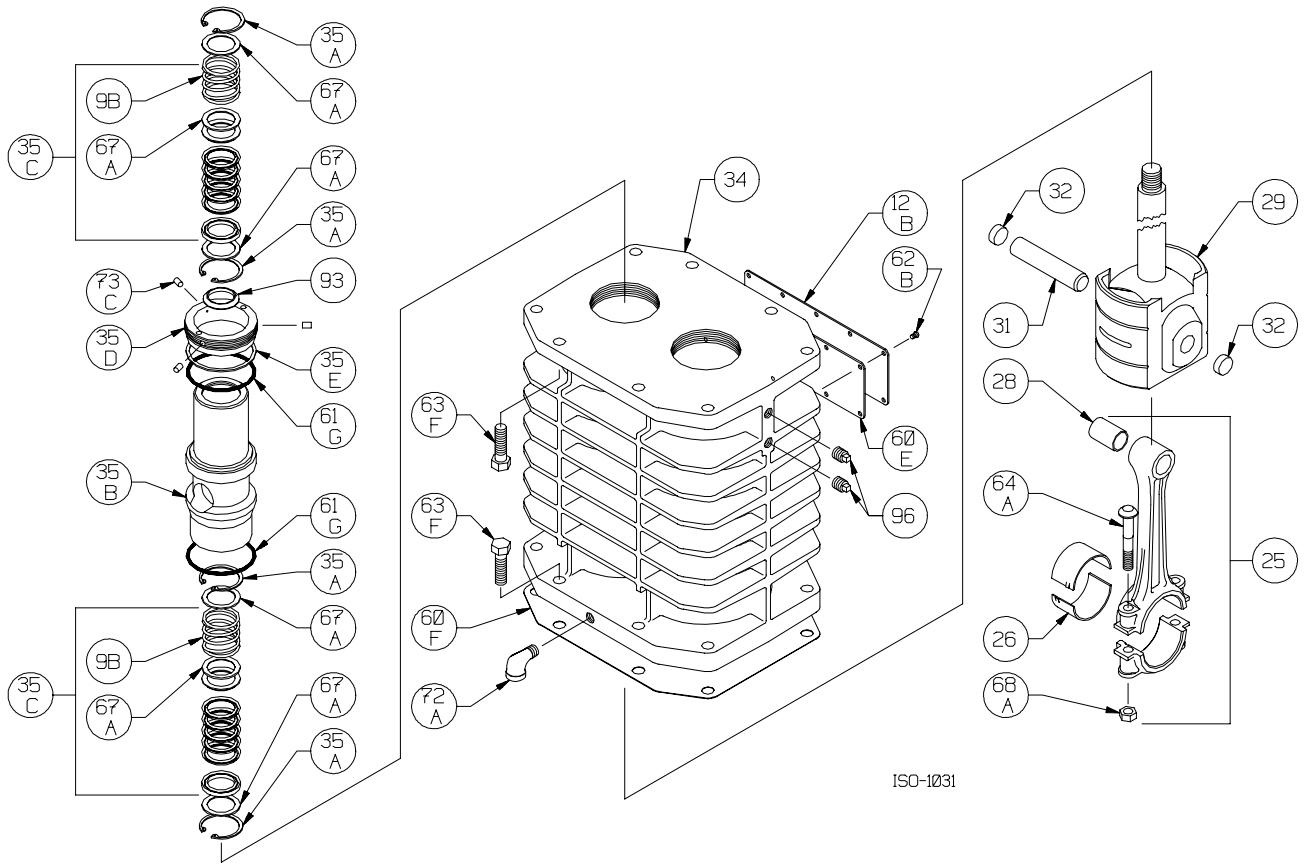
Oil Pump Detail:

Models HD161A, HD162A, HD172A,
 HD361A, HD362A, HD363A, HD372A, HD373A, HDL372A,
 HD601A, HD602A, HD603A, HD612A, HDL612A

ISO1094

Ref	Description	Qty	Part No
2B	Oil Filter	1	790003
5A	Oil Pump Kit (w/ 61E, 61N) 160, 170, 360 & 370 Series	1	798855
	600 & 610 Series	1	798856
7	Oil Pressure Gauge	1	790012
14	Oil Pump Cover	1	792181
	Oil Pump Cover - For Filter		790001
30	Oil Filter Fitting	1	790002
61E	O-Ring - Oil Pump Cover *	1	792186
61N	O-Ring - Oil Pump Shaft *	1	792174

* Included in Gasket Sets



Crosshead Assembly: HD602A, HD612A, HDL612A

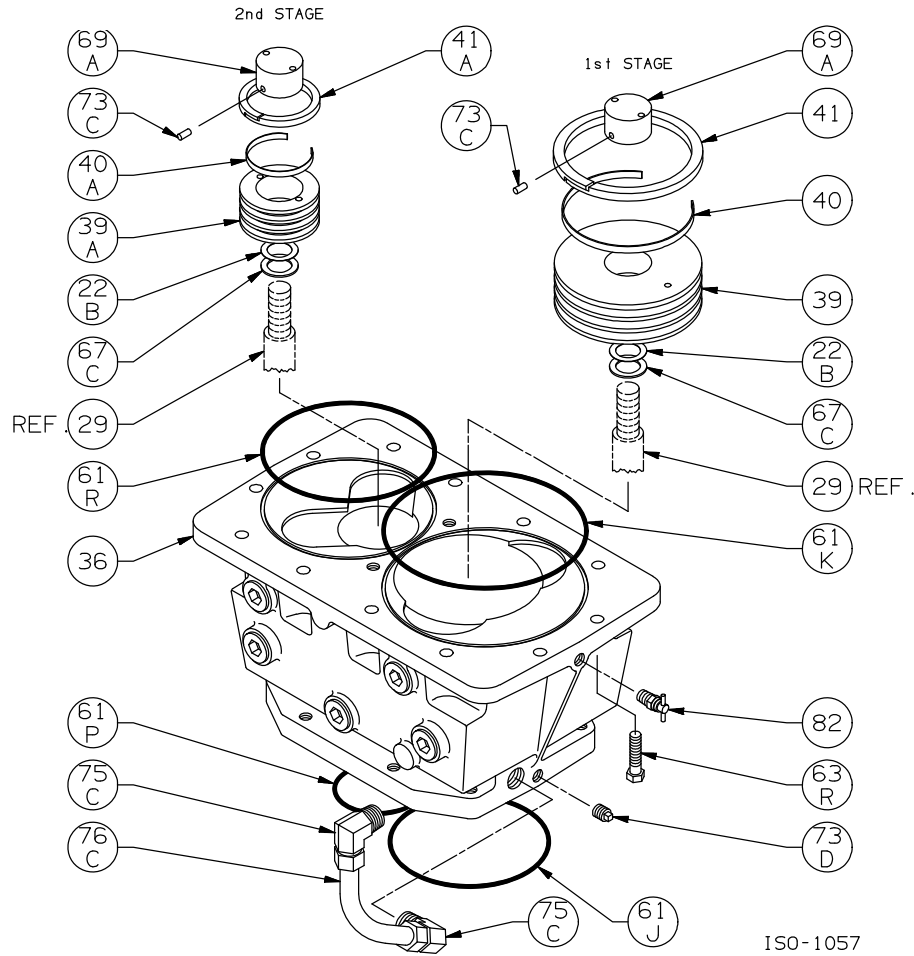
ISO1031

Ref	Description	Qty	Part No
9B	Packing Spring	4	794083
12B	Inspection Plate	1	794093
25	Connecting Rod Assembly	2	794009
26	Connecting Rod Bearing	2	794002
28	Wrist Pin Bushing **	2	793003
29	Crosshead Assembly	2	794429
31	Wrist Pin	2	794004
32	Wrist Pin Plug	4	792178
34	Crosshead Guide	1	794430
35A	Retainer Ring	8	794080
35B	Packing Box	2	794451
	Packing Box TNT-12		792840
35C	Packing Set	4	794499
35D	Hold-down Ring	2	794220
	Hold-down Ring TNT-12		792839
35E	Spacer Ring	2	794403

*Included in Gasket Sets

Ref	Description	Qty	Part No
60E	Gasket - Inspection Plate *	1	794092
60F	Gasket - Crankcase *	1	794121
61G	O-Ring (Buna-N) Std *	4	794082
	O-Ring (FKM) *		794213
	O-Ring (PTFE) *		794208
	O-Ring (Neoprene) *		794090
	O-Ring (Ethylene Propylene) *		794026
62B	Machine Screw - Inspection Plate	10	793096
63F	Capscrew - Hex Hd	16	794094
64A	Connecting Rod Bolt	4	794012
67A	Washer - Packing Box	12	794084
68A	Connecting Rod Bolt Nut	4	794013
72A	Elbow - Vent	1	790453
73C	Lock Plug *	6	794028
93	Oil Deflector Ring	2	794478
96	Pipe Plug	4	793498

** Must be honed after installing



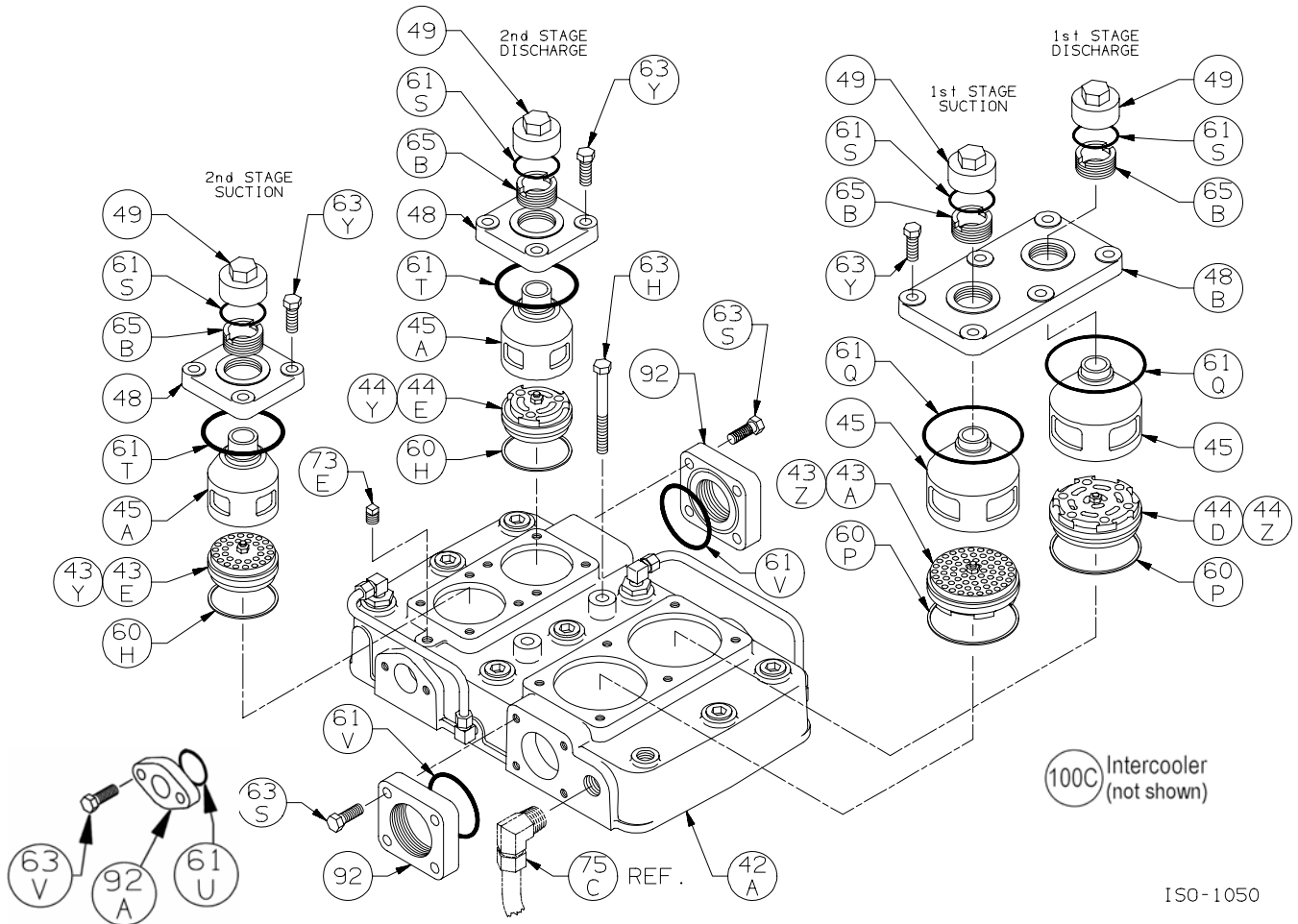
Cylinder Assembly: HDL612C|B|A, HDL613C|B

ISO1057

Ref	Description	Qty	Part No
22B	Piston Shim - 0.015	AR	794434
	Piston Shim - 0.007	AR	794436
36	Cylinder	1	794701
	Cylinder TNT-12		792852
39	Piston	1	794621
	Piston TNT-12		792848
39A	Piston	1	794622
	Piston TNT-12		792849
40	Expander	3	794614
40A	Expander	3	794615
41	Piston Ring - Glass/Moly Filled, Std	3	794610
	Piston Ring - Poly Filled		794612
41A	Piston Ring - Glass/Moly Filled, Std	3	794611
	Piston Ring - Poly Filled		794613
61J	O-Ring (Buna N) Std *	1	794661
	O-Ring (FKM) *		794663
	O-Ring (PTFE) *		794662
	O-Ring (Neoprene) *		794664
	O-Ring (Ethylene Propylene) *		794665
61K	O-Ring (Buna N) Std *	1	794631
	O-Ring (FKM) *		794633
	O-Ring (PTFE) *		794632
	O-Ring (Neoprene) *		794634
	O-Ring (Ethylene Propylene) *		794638

Ref	Description	Qty	Part No
61P	O-Ring (Buna N) Std *	1	794651
	O-Ring (FKM) *		794653
	O-Ring (PTFE) *		794652
	O-Ring (Neoprene) *		794654
	O-Ring (Ethylene Propylene) *		794655
61R	O-Ring (Buna N) Std *	1	793631
	O-Ring (FKM) *		793633
	O-Ring (PTFE) *		793632
	O-Ring (Neoprene) *		793634
	O-Ring (Ethylene Propylene) *		793638
63R	Capscrew - Hex Hd	12	794097
67C	Thrust Washer	2	794433
69A	Piston Nut	2	794623
	Piston Nut TNT-12		792850
73C	Lock Plug *	4	794222
73D	Pipe Plug	1	793498
75C	Tube Elbow	2	790391
76C	Tube	1	790395
82	Vent Valve	1	790022

* Included in Gasket Sets



ISO-1050

Head Assembly: HDL612C|B|A, HDL613C|B

ISO1050

OVER.....

Head Assembly: HDL612C|B|A, HDL613C|B

ISO1050

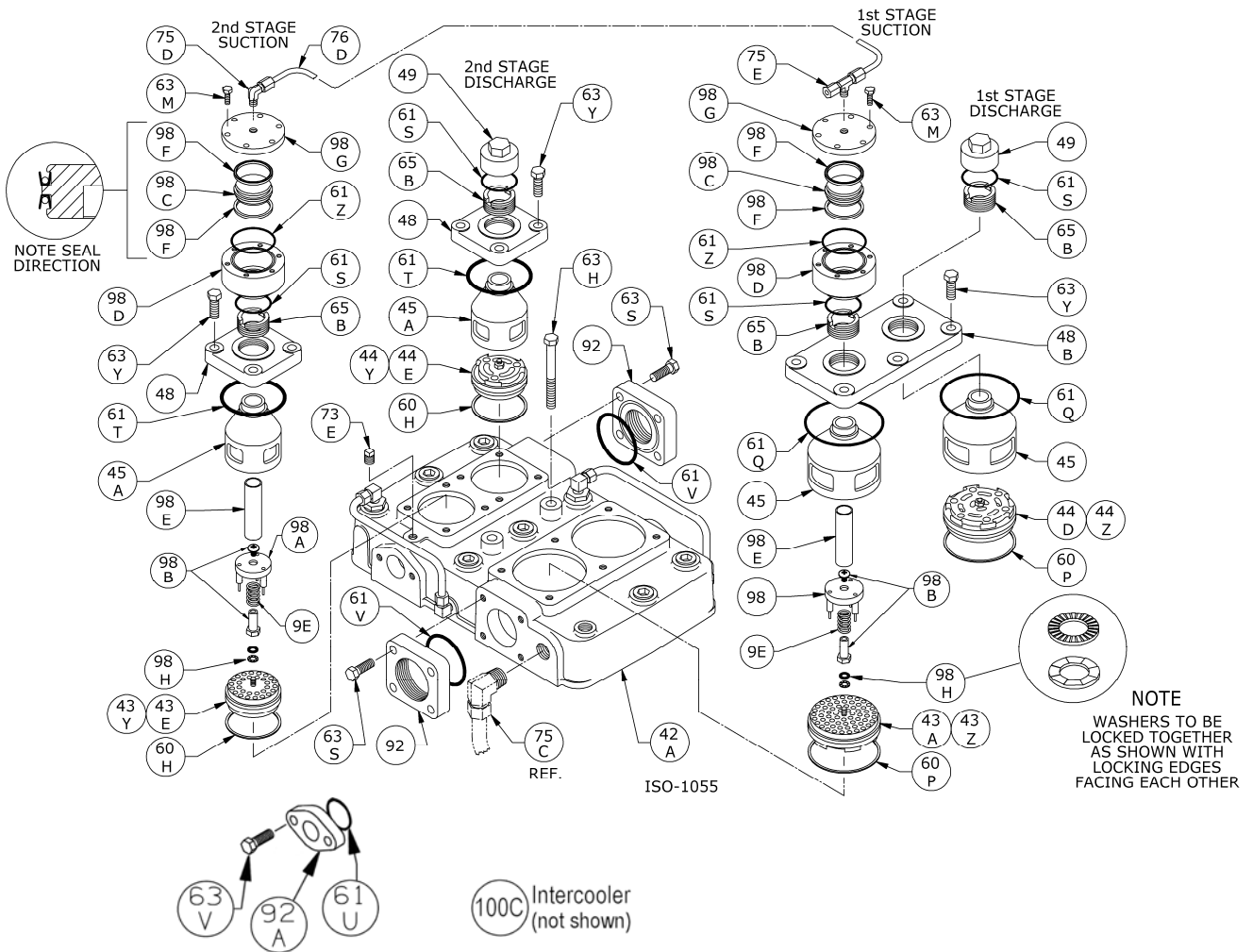
Ref	Description	Qty	Part No
42A	Head Head TNT-12	1	794700 792851
43A	Suction Valve Assembly Suction Valve Assembly TNT-12 Suction Valve Assy, Stainless Steel	1	794659 792874 794629
43E	Suction Valve Assembly Suction Valve Assembly TNT-12 Suction Valve Assy, Stainless Steel	1	793659 792872 793629
43Y	Valve Repair Kit - For 793659/793679 Valve Repair Kit - For 793629		793660 793630
43Z	Valve Repair Kit - For 794659/794679 Valve Repair Kit - For 794629		794660 794630
44D	Discharge Valve Assembly Discharge Valve Assembly TNT-12 Discharge Valve Assy, Stainless Steel	1	794679 792875 794649
44E	Discharge Valve Assembly Discharge Valve Assembly TNT-12 Discharge Valve Assy, Stainless Steel	1	793679 792873 793649
44Y	Valve Repair Kit - For 793659/793679 Valve Repair Kit - For 793649		793660 793650
44Z	Valve Repair Kit - For 794659/794679 Valve Repair Kit - For 794649		794660 794650
45	Cage Cage TNT-12	2	794602 792846
45A	Cage Cage TNT-12	2	794620 792835
48	Valve Cover Plate Valve Cover Plate TNT-12	2	794284 792846
48B	Valve Cover Plate Valve Cover Plate TNT-12	1	794603 792847
49	Valve Cap Valve Cap TNT-12	4	792003 792804
60H	Gasket - Valve *	2	794198
60P	Gasket - Valve *	2	794616

* Included in Gasket Sets

Ref	Description	Qty	Part No
61Q	O-Ring (Buna-N) Std * O-Ring (FKM) * O-Ring (PTFE) * O-Ring (Neoprene) * O-Ring (Ethylene Propylene) *	2	794641 794643 794642 794644 794645
61S	O-Ring (Buna-N) Std * O-Ring (FKM) * O-Ring (PTFE) * O-Ring (Neoprene) * O-Ring (Ethylene Propylene) *	4	792306 792308 792307 792309 792310
61U	O-Ring (PTFE) *	2	793626
61T	O-Ring (Buna-N) Std * O-Ring (FKM) * O-Ring (PTFE) * O-Ring (Neoprene) * O-Ring (Ethylene Propylene) *	2	792112 792213 792210 792110 792206
61V	O-Ring (Buna-N) Std * O-Ring (FKM) * O-Ring (PTFE) * O-Ring (Neoprene) * O-Ring (Ethylene Propylene) *	2	792412 792413 792414 792410 792411
63H	Capscrew - Hex Hd	2	794115
63S	Capscrew - Hex Hd	8	794096
63V	Capscrew - Hex Hd	4	793094
63Y	Capscrew - Hex Hd	14	793094
65B	Valve Holddown Screw Valve Holddown Screw TNT-12	4	792002 792806
73E	Pipe Plug	1	793498
92	Flange-Inlet (2 NPT) Std Flange-Inlet (2 NPT) TNT-12 Flange-Outlet (1.5 NPT) Std Flange-Outlet (1.5 NPT) TNT-12 Flange (1.25 NPT) Flange (1.25 NPT) TNT-12	1	794117 792837 794116 792836 794118 792866
92A	Flange, 1" NPT - Intercooler	2	793602
100C	Intercooler, H ₂ O, Brass	1	793705 ¹

¹ Many compressors are supplied with custom intercoolers - please verify this PN with Blackmer prior to placing an order.





Head Assembly with Unloaders:
HDL612C|B|A, HDL613C|B

ISO1055

Over.....

Ref	Description	Qty	Part No
9E	Unloader Spring	2	793293
42A	Head Head TNT-12	1	794700 792851
43A	Suction Valve Assembly Suction Valve Assembly TNT-12 Suction Valve Assy, Stainless Steel	1	794659 792874 794629
43E	Suction Valve Assembly Suction Valve Assembly TNT-12 Suction Valve Assy, Stainless Steel	1	793659 792872 793629
43Y	Valve Repair Kit - For 793659/793679 Valve Repair Kit - For 793629		793660 793630
43Z	Valve Repair Kit - For 794659/794679 Valve Repair Kit - For 794629		794660 794630
44D	Discharge Valve Assembly Discharge Valve Assembly TNT-12 Discharge Valve Assy, Stainless Steel	1	794679 792875 794649
44E	Discharge Valve Assembly Discharge Valve Assembly TNT-12 Discharge Valve Assy, Stainless Steel	1	793679 792873 793649
44Y	Valve Repair Kit - For 793659/793679 Valve Repair Kit - For 793649		793660 793650
44Z	Valve Repair Kit - For 794659/794679 Valve Repair Kit - For 794649		794660 794650
45	Cage Cage TNT-12	2	794602 792846
45A	Cage Cage TNT-12	2	794620 792835
48	Valve Cover Plate Valve Cover Plate TNT-12	2	794284 792817
48B	Valve Cover Plate Valve Cover Plate TNT-12	1	794603 792847
49	Valve Cap Valve Cap TNT-12	2	792003 792804
60H	Gasket - Valve *	2	794198
60P	Gasket - Valve *	2	794616
61Q	O-Ring (Buna-N) Std * O-Ring (FKM) * O-Ring (PTFE) * O-Ring (Neoprene) * O-Ring (Ethylene Propylene) *	2	794641 794643 794642 794644 794645
61S	O-Ring (Buna-N) Std * O-Ring (FKM) * O-Ring (PTFE) * O-Ring (Neoprene) * O-Ring (Ethylene Propylene) *	4	792306 792308 792307 792309 792310
61T	O-Ring (Buna-N) Std * O-Ring (FKM) * O-Ring (PTFE) * O-Ring (Neoprene) * O-Ring (Ethylene Propylene) *	2	792112 792213 792210 792110 792206

¹ Unloader Post with bolt replaces earlier style unloader post with retainer ring.

² Many compressors are supplied with custom intercoolers - please verify this PN with Blackmer prior to placing an order.

Ref	Description	Qty	Part No
61U	O-Ring (PTFE) *	2	793626
61V	O-Ring (Buna-N) Std * O-Ring (FKM) * O-Ring (PTFE) * O-Ring (Neoprene) * O-Ring (Ethylene Propylene) *	2	792412 792413 792414 792410 792411
61Z	O-Ring (Buna-N) Std * O-Ring (FKM) * O-Ring (PTFE) * O-Ring (Neoprene) * O-Ring (Ethylene Propylene) *	2	792311 792313 792312 792314 792320
63H	Capscrew - Hex Hd	2	794115
63M	Capscrew - Hex Hd	12	790053
63S	Capscrew - Hex Hd	8	794096
63V	Capscrew - Hex Hd	4	793094
63Y	Capscrew - Hex Hd	14	793094
65B	Valve Holddown Screw Valve Holddown Screw TNT-12	4	792002 792806
73E	Pipe Plug	1	793498
75D	Tube Elbow	1	790355
75E	Tube Tee	1	790356
76D	Tube	1	790192
92	Flange-Inlet (2 NPT) Std Flange-Inlet (2 NPT) TNT-12 Flange-Outlet (1.5 NPT) Std Flange-Outlet (1.5 NPT) TNT-12 Flange (1.25 NPT) Flange (1.25 NPT) TNT-12	1 1 1 1	794117 792837 794116 792836 794118 792866
92A	Flange, 1" NPT - Intercooler	2	793602
98	Actuator Assembly - 1st Stage Actuator Assembly - 1st Stage, for Stainless Steel Valve	1	793296 794295
98A	Actuator Assembly - 2nd Stage Actuator Assembly - 2nd Stage, for Stainless Steel Valve	1	794296 794298
98B	Unloader Post w/bolt ¹ Unloader Post w/bolt ¹ , for SS Valve	2	793291 794291
98C	Unloader Piston	2	793288
98D	Unloader Body	2	793286
98E	Unloader Plunger	2	794290
98F	Unloader Seal	4	792284
98G	Unloader Cap	2	793287
98H	Lockwasher (2 piece)	2	793473
100C	Intercooler, H ₂ O, Brass	1	793705 ²

* Included in Gasket Sets

