

## HDS612C PARTS LIST

Discontinued: June 2015

Serial # \_\_\_\_\_

ID# \_\_\_\_\_

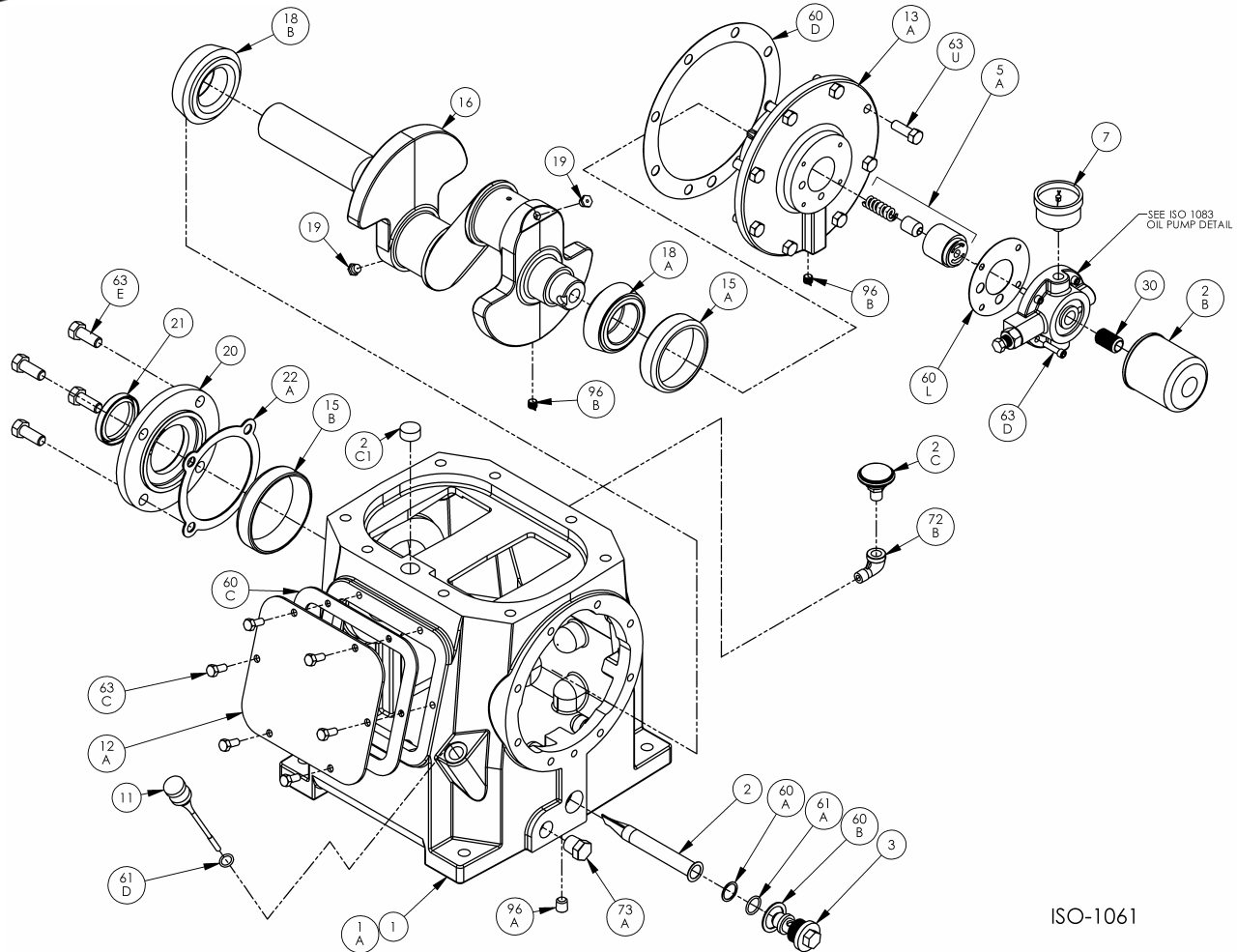
### Gasket Sets and Special Tools

Gasket Set	FKM & Iron	794697
	PTFE & Iron	794698
Packing Installation Tool		790538
Spanner Wrench, 1/4" Adjustable		790316
Wrench for Valve Holdown Screw		790535
Tool Kit		790199

### Bulletins Needed For Complete Parts List

This page	9E-391
Crankcase	9F-031
Oil Pump	9G-011
Flywheel	9H-040
Crosshead	9J-151
Packing	9K-080
Cylinder	9L-230
Head	9M-300

Notes:



**Crankcase Assembly:**

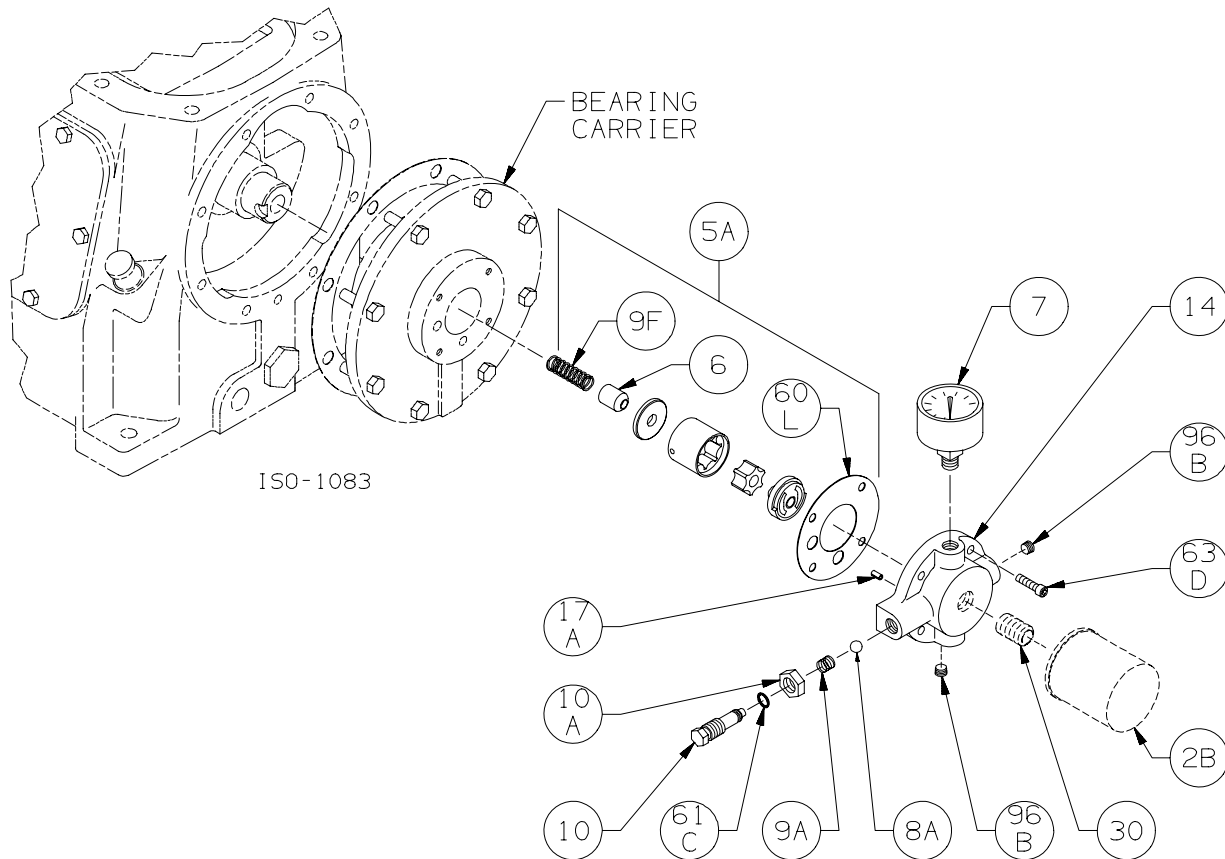
Models HD601B, HD602C|B, HD603C|B, HDL602C|B, HDL603C|B, HDL642C|B, HDL643C|B, HDS602C|B, HD612C|B, HD613C|B, HDL612C|B, HDL613C|B, HDS612C|B

ISO1061

Ref	Description	Qty	Part No
1	Crankcase Assembly – with Oil Filter (std.)	1	794758
	Crankcase Assembly – no Oil Filter		794759
1A	Crankcase	1	794709
2	Oil Intake Screen	1	792135
2B	Oil Filter	1	794726
2C	Breather Filter (current)	1	792070
2C1	Breather Filter (Previous Construction)		794752
3	Oil Screen Plug	1	792145
5A	Oil Pump Kit	1	794760
7	Oil Pressure Gauge	1	790012
11	Oil Bayonet Assembly	1	792162
12A	Inspection Plate	1	794140
13A	Bearing Carrier	1	794714
15A	Bearing Cup (Outboard)	1	794131
15B	Bearing Cup (Inboard)	1	794731
16	Crankshaft Assy (w/ 18A,18B,19,96B)	1	794708
18A	Bearing Cone (Outboard)	1	794130
18B	Bearing Cone (Inboard)	1	794730
19	Orifice	2	792146

Ref	Description	Qty	Part No
20	Bearing Cover Plate	1	794716
21	Oil Seal	1	794732
22A	Bearing Adjustment Shim Kit	1	794733
30	Oil Filter Fitting	1	794725
60A	Gasket - Oil Screen *	1	792136
60B	Gasket - Oil Screen Plug *	1	792123
60C	Gasket - Inspection Plate *	1	794122
60D	Gasket - Bearing Carrier Assembly*	1	794720
60L	Gasket - Oil Pump Cover *	1	794721
61A	O-Ring - Oil Screen *	1	792175
61D	O-Ring - Oil Bayonet *	1	792174
63C	Capscrew - Hex Hd	6	793116
63D	Capscrew - Soc Hd	4	790559
63E	Capscrew - Hex Hd	4	790484
63U	Capscrew - Hex Hd	8	792093
72B	Elbow	1	790453
73A	Pipe Plug	1	790024
96A	Pipe Plug	1	790488
96B	Pipe Plug	2	790309

\* Included in Gasket Sets



**Oil Pump Detail for Models:**

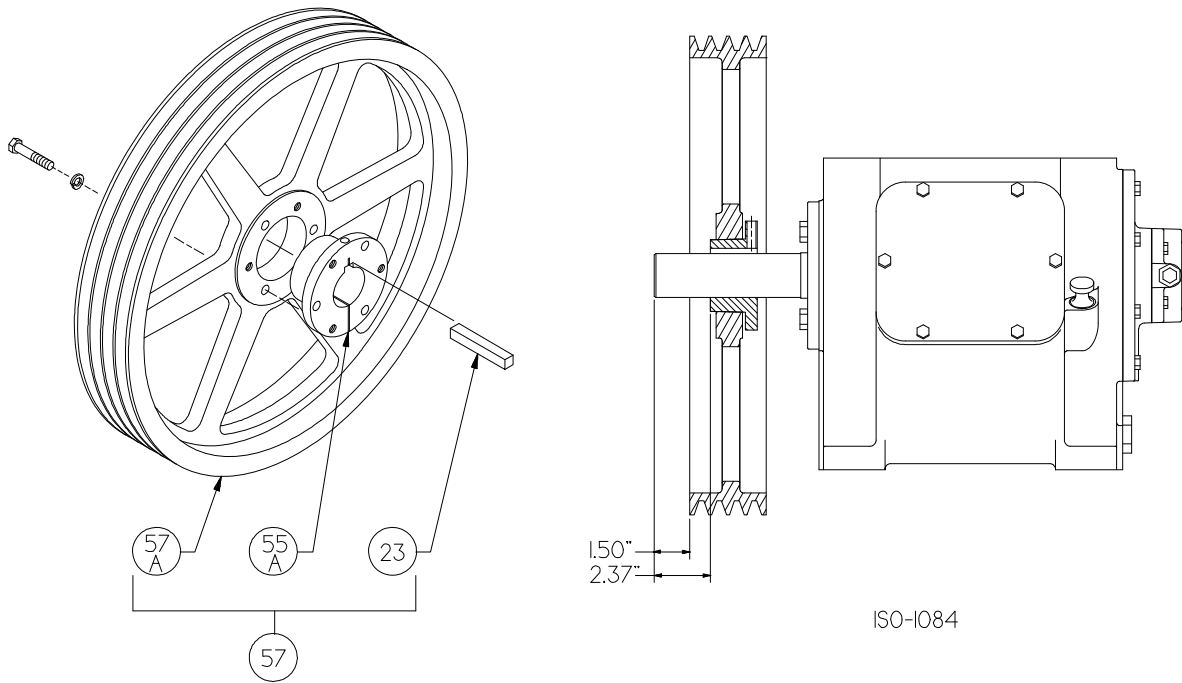
HD161C|B, HD162C|B, HD163C, HDS162C  
 HD172C|B, HD173C, HDL172C, HDL173C, HDS172C,  
 HDL342C|B, HDL343C|B,  
 HD361C|B, HD362C|B, HD363|B, HDS362C, HDL362C|B, HDL363C|B,  
 HD372C|B, HDL372C|B, HD373C, HDL373C|B, HDS372C  
 HD601B, HD602C|B, HD603C|B, HDL602C|B, HDL603C|B, HDS602C, HDL642C|B, HDL643C|B,  
 HD612C|B, HDL612C|B, HD613C|B, HDL613C|B, HDS612C|B  
 HD942B|A and HDL942B|A

ISO1083

Ref	Description	Qty	Part No
2B	Oil Filter	1	794726
5A	Oil Pump Kit (w/ 6, 9F, 60L)		794760
6	Oil Pump Cone	1	794750
7	Oil Pressure Gauge	1	790012
8A	Oil Pressure Adj. Ball	1	792154
9A	Oil Pressure Adj. Spring	1	792153
9F	Oil Pump Spring	1	794751
10	Oil Pressure Adj. Screw	1	792148
10A	Locknut	1	792152

Ref	Description	Qty	Part No
14	Oil Pump Cover Assembly - For Filter	1	794764
	Oil Pump Cover Assembly - w/ 17A, 96B		794763
17A	Roll Pin	1	794753
30	Oil Filter Fitting	1	794725
60L	Gasket - Oil Pump Cover *	1	794721
61C	O-Ring - Adjusting Screw *	1	792168
63D	Capscrew - Soc. Hd	4	790559
96B	Pipe Plug	2	790309

\* Included in Gasket Sets

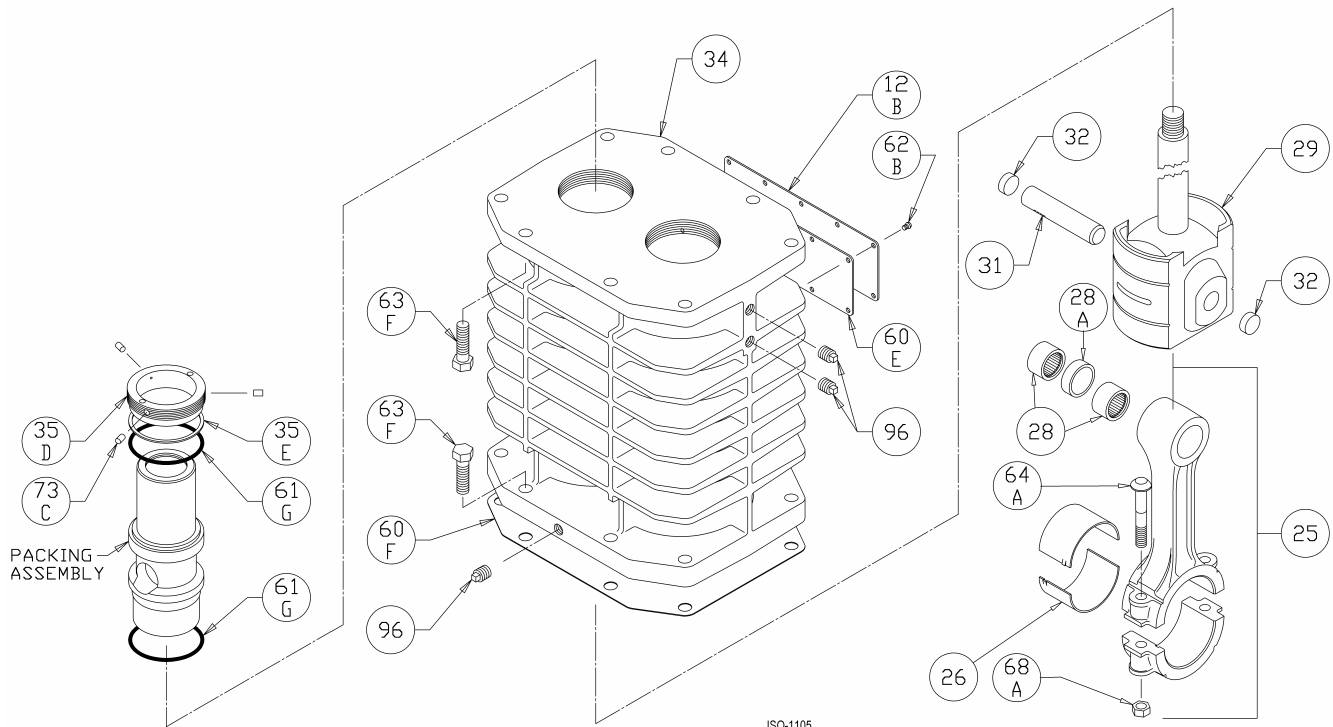


Standard Flywheel Assembly:  
 Models HD612C, HD613C  
 Models HDL612C, HDL613C, HDS612C

Ref	Description	Qty	Part No
23	Key	1	794267
55A	Hub	1	790149
57	Flywheel Assembly	1	794132
57A	Flywheel	1	790545

**Notes:**

Older units had the flywheel located at the end of the shaft.  
 Older Air-cooled units had a fan fitted to the flywheel.



Crosshead Assembly: HDS602C, HDS612C

ISO1105

Ref	Description	Qty	Part No
12B	Inspection Plate	1	794093
25	Connecting Rod Assembly	2	794767
26	Connecting Rod Bearing	2	794710
28	Wrist Pin Roller Bearing	4	794776
28A	Bearing Spacer	2	794770
29	Crosshead Assembly (top marked '90k')	2	794523
31	Wrist Pin	2	794727
32	Wrist Pin Plug	4	794724
34	Crosshead Guide	1	794430
35D	Hold-down Ring	2	794220
	Hold-down Ring TNT-12		792839

Ref	Description	Qty	Part No
35E	Spacer Ring	2	794403
60E	Gasket - Inspection Plate *	1	794092
60F	Gasket - Crankcase *	1	794121
61G	O-Ring (FKM) *	4	794213
	O-Ring (PTFE) *		794208
62B	Machine Screw - Inspection Plate	10	793096
63F	Capscrew - Hex Hd - Stainless Steel	16	801185
64A	Connecting Rod Bolt	4	794012
68A	Connecting Rod Bolt Nut	4	794013
72A	Elbow - Vent	1	790453
73C	Lock Plug *	6	794028
96	Pipe Plug	4	793498

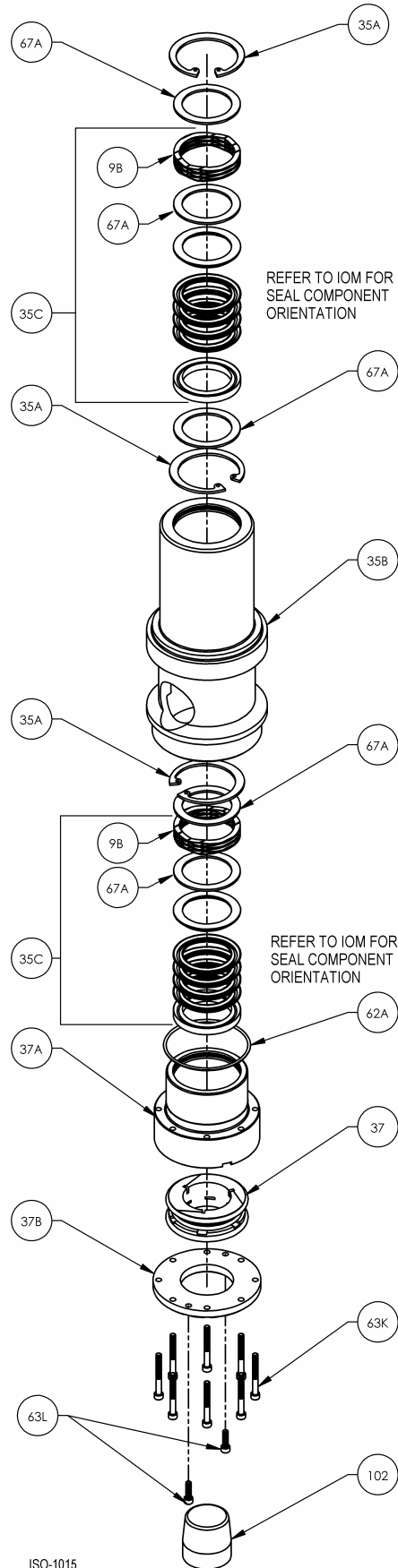
\*Included in Gasket Sets

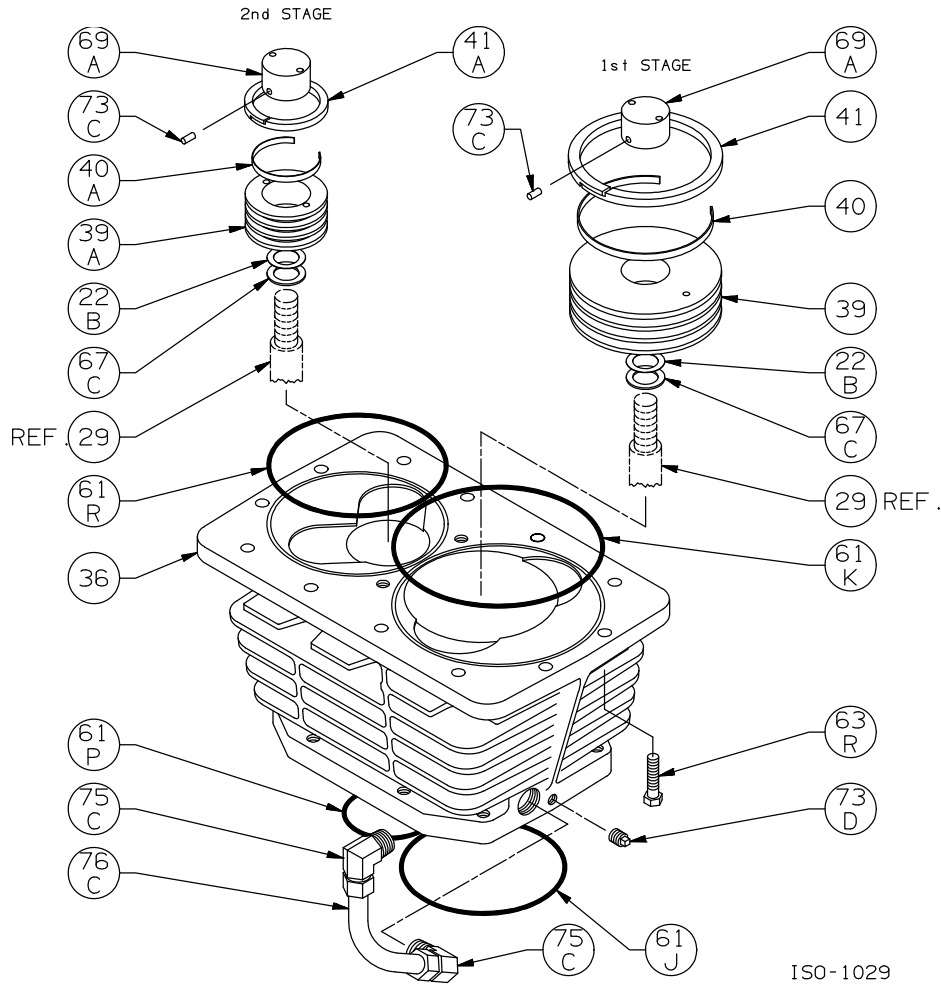
Packing Assembly: HDS602C, HDS612C

Ref	Description	Qty	Part No
9B	Packing Spring – Stainless Steel	4	794041
35A	Retainer Ring – Stainless Steel	6	794511
35B	Packing Box (top marked '1018')	2	794445
	TNT-12		794463
35C	Packing Set	4	794498
37	S3R Seal	2	794456
37A	Seal Cup	2	794455
	TNT-12		794462
37B	Seal Cup Cover	2	794454
62A	O-Ring (FKM) *	2	792313
	O-Ring (PTFE) *		792312
63K	Capscrew – Socket Head – SS	16	794464
63L	Capscrew – Socket Head – SS	4	794465
67A	Washer - Packing Box	10	794084
102	Packing Installation Tool	1	790538

\* Included in gasket sets.

Refer to the Compressor IOM for proper orientation of components.





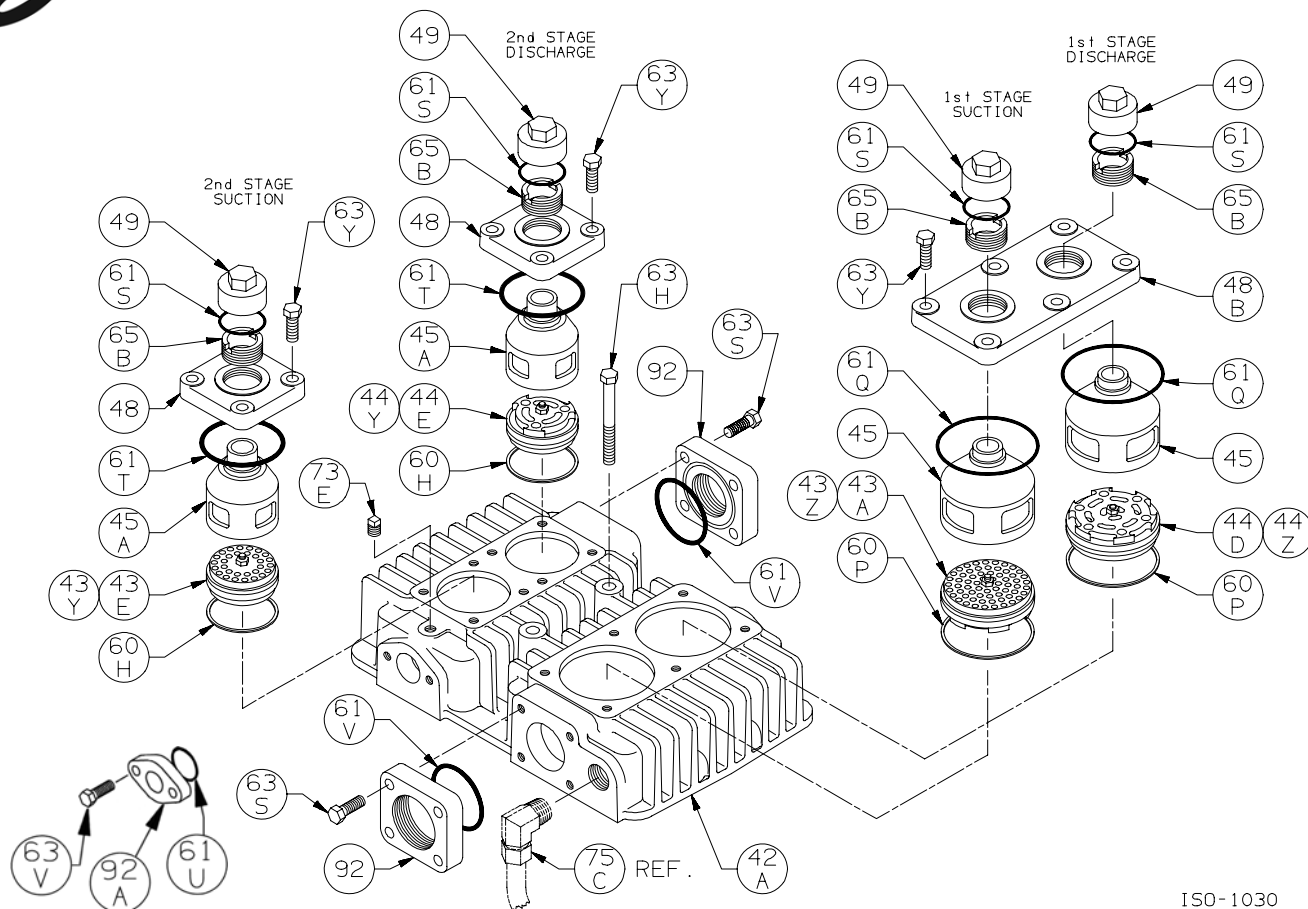
Cylinder Assembly: HDS612C|B

ISO1029

Ref	Description	Qty	Part No
22B	Piston Shim - 0.015	AR	794434
	Piston Shim - 0.007	AR	794436
36	Cylinder	1	794601
	Cylinder TNT-12		792845
39	Piston	1	794621
	Piston TNT-12		792848
39A	Piston	1	794622
	Piston TNT-12		792849
40	Expander	3	794614
40A	Expander	3	794615
41	Piston Ring – Glass/Moly Filled, Std	3	794610
	Piston Ring - Poly Filled		794612
41A	Piston Ring – Glass/Moly Filled, Std	3	794611
	Piston Ring - Poly Filled		794613
61J	O-Ring (FKM) *	1	794663
	O-Ring (PTFE) *		794662

Ref	Description	Qty	Part No
61K	O-Ring (FKM) *	1	794633
	O-Ring (PTFE) *		794632
61P	O-Ring (FKM) *	1	794653
	O-Ring (PTFE) *		794652
61R	O-Ring (FKM) *	1	793633
	O-Ring (PTFE) *		793632
63R	Capscrew - Hex Hd – Stainless Steel	12	793150
67C	Thrust Washer	2	794433
69A	Piston Nut	2	794623
	Piston Nut TNT-12		792850
73C	Lock Plug *	4	794222
73D	Pipe Plug	1	793498
75C	Tube Elbow	2	790391
76C	Tube	1	790395

\* Included in Gasket Sets



ISO-1030

### Head Assembly: HDS612C/B

Ref	Description	Qty	Part No
42A	Head Head TNT-12	1	794600 792844
43A	Suction Valve Assembly Suction Valve Assembly TNT-12 Suction Valve Assembly, Stainless Steel	1	794659 792874 794629
43E	Suction Valve Assembly Suction Valve Assembly TNT-12 Suction Valve Assembly, Stainless Steel	1	793659 792872 793629
43Y	Valve Repair Kit - For 793659/793679 Valve Repair Kit - For 793629		793660 793630
43Z	Valve Repair Kit - For 794659/794679 Valve Repair Kit - For 794629		794660 794630
44D	Discharge Valve Assembly Discharge Valve Assembly TNT-12 Discharge Valve Assy, Stainless Steel	1	794679 792875 794649
44E	Discharge Valve Assembly Discharge Valve Assembly TNT-12 Discharge Valve Assy, Stainless Steel	1	793679 792873 793649
44Y	Valve Repair Kit - For 793659/793679 Valve Repair Kit - For 793649		793660 793650
44Z	Valve Repair Kit - For 794659/794679 Valve Repair Kit - For 794649		794660 794650
45	Cage Cage TNT-12	2	794602 792846
45A	Cage Cage TNT-12	2	794620 792835
48	Valve Cover Plate Valve Cover Plate TNT-12	2	794284 792817

ISO1030

Ref	Description	Qty	Part No
48B	Valve Cover Plate Valve Cover Plate TNT-12	1	794603 792847
49	Valve Cap Valve Cap TNT-12	4	792003 792804
60H	Gasket - Valve *	2	794198
60P	Gasket - Valve *	2	794616
61Q	O-Ring (FKM) * O-Ring (PTFE) *	2	794643 794642
61S	O-Ring (FKM) * O-Ring (PTFE) *	4	792308 792307
61T	O-Ring (FKM) * O-Ring (PTFE) *	2	792213 792210
61U	O-Ring (PTFE), Intercooler Flange	2	793626
61V	O-Ring (FKM) * O-Ring (PTFE) *	2	792413 792414
63H	Capscrew - Hex Hd - Stainless Steel	2	920588
63S	Capscrew - Hex Hd - Stainless Steel	8	793151
63V	Capscrew - Hex Hd - Stainless Steel	4	793153
63Y	Capscrew - Hex Hd - Stainless Steel	14	793153
65B	Valve Holddown Screw Valve Holddown Screw TNT-12	4	792002 792806
73E	Pipe Plug	1	793498
92	Flange-Inlet (2 NPT) Std Flange-Inlet (2 NPT) TNT-12 Flange-Outlet (1.5 NPT) Std Flange-Outlet (1.5 NPT) TNT-12	1	794117 792837 794116 792836
92A	Flange - Intercooler	2	793602

\* Included in Gasket Sets



Suggested Spare Parts for HDS612C:

Part #	Description	Qty./Unit	Comm. Qty.	Spare Qty.
794697	Gasket Set – FKM	1	1	1
794698	Gasket Set – PTFE *			
794660	St1 Suction Valve Repair Kit - PEEK	1		1
794630	St1 Suction Valve Repair Kit - Stainless Steel *			
793660	St2 Suction Valve Repair Kit - PEEK	1		
793630	St2 Suction Valve Repair Kit - Stainless Steel *			
794660	St1 Discharge Valve Repair Kit - PEEK	1		1
794650	St1 Discharge Valve Repair Kit - Stainless Steel *			
793660	St2 Discharge Valve Repair Kit - PEEK	1		1
793650	St2 Discharge Valve Repair Kit - Stainless Steel *			
794610	St1 Piston Ring - Glass and Moly Filled	3	3	3
794612	St1 Piston Ring - Poly Filled *			
794614	St1 Piston Ring Expander	3	3	3
794611	St2 Piston Ring - Glass and Moly Filled	3		3
794613	St2 Piston Ring - Poly Filled *			
794615	St2 Piston Ring Expander	3		3
794498	Packing Set	4	4	4
790538	Packing Installation Tool	1	1	1
794726	Oil Filter	1		6
794727	Wrist Pin	2		2
794776	Wrist Pin Roller Bearing	4	4	4
794710	Conrod Bearing	2	2	2
The following parts would normally be required only for major compressor overhaul.				
794730	Inboard Bearing Cone	1		1
794731	Inboard Bearing Cup	1		1
794130	Outboard Bearing Cone	1		1
794131	Outboard Bearing Cup	1		1
794523	Crosshead Assembly	2		2
794456	S3R Seal	2		2
794767	Conrod Assembly	2		
794760	Oil Pump Repair Kit	1		
794708	Crankshaft Assembly	1		
794733	Bearing Adjustment Shim Kit	1		
794601	Cylinder	1		
792845	TNT-12 Treated Cyl. *			

\* Optional Equipment on New Compressors