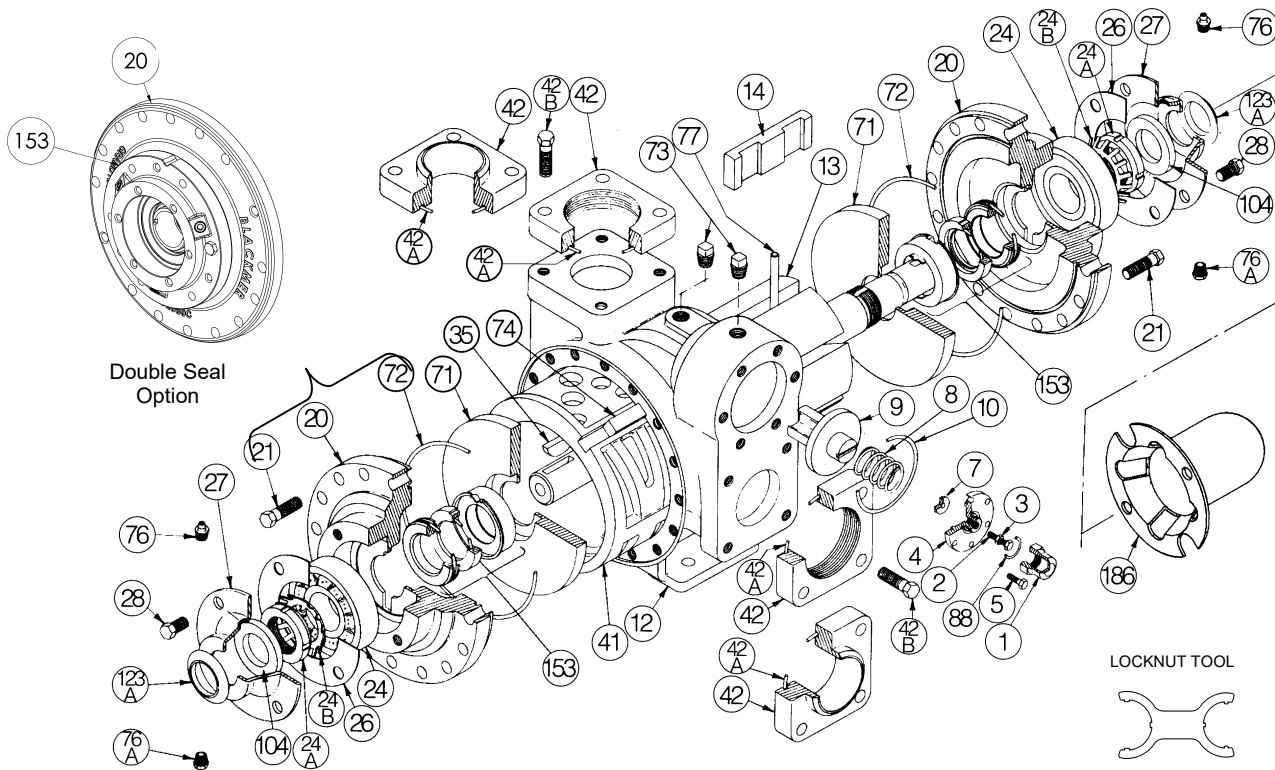


BLACKMER PARTS LIST

PUMP MODELS: SGLD2, SGLD3, SGLWD3

Keep with Instructions 801-B00 for Installation, Operation and Maintenance

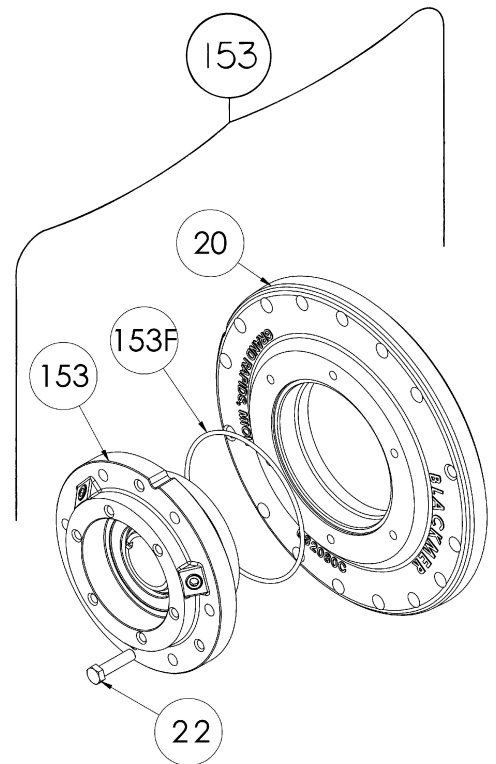
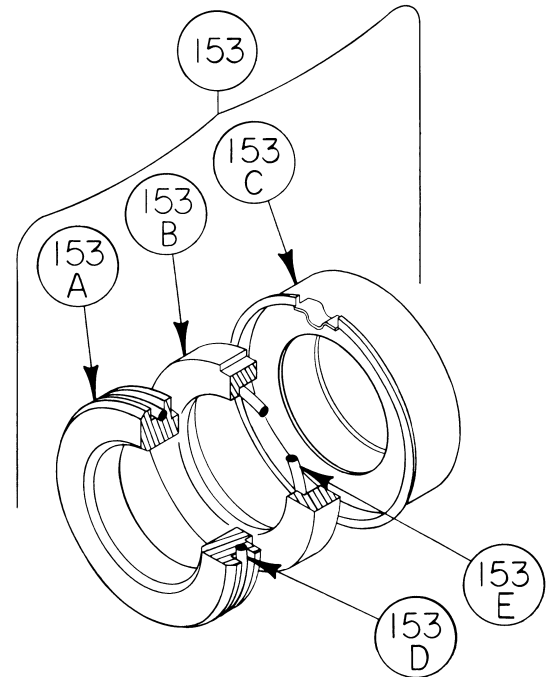
Section | 801
Effective | April 2020
Replaces | Mar 2020



Ref. No.	Description	Parts per Pump	Size 2 Part No.	Size 3 Part No.	Ref. No.	Description	Parts per Pump	Size 2 Part No.	Size 3 Part No.	
1	Relief Valve (R/V) Cap	1	414402	414402	42	NPT Flange	2	654401	655112	
2	R/V Adjusting Screw	1	433905	435109	42	Weld Flange	2	654405	655102	
3	R/V Adjusting Screw Locknut	1	922923	922923	42A	O-Ring Flange (HNBR) (std)	2	¹ 702309	¹ 702312	
4	R/V Cover	1	414408	415109	42A	O-Ring Flange (FKM)	2	702086	711931	
5	R/V Cover Capscrews	6	920316	920331	42A	O-Ring Flange (PTFE)	2	702078	702080	
7	R/V Spring Guide	1	424401	425109	42A	O-Ring Flange (Neoprene)	2	711997	711996	
8	R/V Spring (51-75 psi) (std)	1	471425	471612	42B	Capscrew NPT Flange	8	920384	920547	
8	R/V Spring (76-110 psi)		471428	471621	42B	Capscrew Weld Flange		8	920351	920510
8	R/V Spring (111-150 psi)		471424	475109	71	Disc	2	² 064412	² 065112	
9	R/V Valve	1	454405	455109	71	O-Ring Head (HNBR) (std)	2	¹ 702316	¹ 702318	
10	O-Ring R/V Cover (HNBR) (std)	1	¹ 702308	¹ 702311	72	O-Ring Head (FKM)		2	702045	711938
	O-Ring R/V Cover (FKM)		711929	701924	72	O-Ring Head (PTFE)		2	702081	702082
	O-Ring R/V Cover (PTFE)		702077	702079	72	O-Ring Head (Neoprene)		2	702105	702013
	O-Ring R/V Cover (Neoprene)		711994	711995	73	Gage Plug (1/4" NPT)	2	908198	908198	
12	Casing	1	014405	015127	74	Liner Key	1	² 183991	² 185191	
13	Rotor & Shaft ³	1	² 264445	² 265148	76	Grease Fitting	2	317815	317815	
	Rotor & Shaft ^{3,4,5}		-	⁵ 265150	76A	Grease Relief Fitting	2	701992	701992	
14	Duravane (std)	6	¹ 091419	¹ 095131	77	Push Rod	3	¹ 123905	¹ 125105	
	Vane – Laminate		-	⁴ 095107	88	O-Ring R/V Cap (HNBR) (std)	1	¹ 702320	¹ 702320	
20	Head	034416	035128	O-Ring R/V Cap (FKM)		701979		701979		
	Head (Dual Seal) ^{5,6}	-	035180	O-Ring R/V Cap (PTFE)		702075		702075		
21	Head Capscrews	32-40	920351	920369		O-Ring R/V Cap (Neoprene)		711984	711984	
24	Ball Bearing	2	¹ 903156	¹ 903172	104	Grease Seal	2	¹ 331918	¹ 331908	
24A	Bearing Locknut	2	² 903521	² 903523	123A	Dirt Shield	2	¹ 701480	NA	
24B	Bearing Lockwasher	2	¹ 903522	¹ 903524	186	Shaft Protector	2	341601	341801	
26	Bearing Cover Gasket	2	¹ 383940	¹ 385125	-	Tool - Locknut	-	903091	903091	
27	Bearing Cover	2	041431	041815	-	Kit – Maintenance	-	898935	898936	
28	Bearing Cover Capscrews	8-12	920285	920285	-	Kit – Rebuild	-	899035	899036	
35	Shaft Key	1	¹ 909130	¹ 909130	¹ Included in Maintenance Kit and Rebuild Kit ² Included in Rebuild Kit ³ Includes Ref. Nos.24A & 24B ⁴ Available and Standard only on SGLWD3 ⁵ Required for Dual Seal, Plan 52 Option ⁶ Required for Dual Seal, Plan 53 Option					
41	Liner	1	² 184405	² 185111						
	Liner (Hardened)		-	⁴ 185116						

MECHANICAL SEAL

Ref. No.	Part Name	Parts Per Pump	Size 2 Part No.	Size 3 Part No.
153	Mechanical Seal Assembly (std) Hardened Steel Stationary Seat, Custom Carbon Rotating Seal Face, HNBR O-Rings (SJCJ)	2	1 334432	1 335206
	Mechanical Seal Assembly Hardened Steel Stationary Seat, Custom Carbon Rotating Seal Face, FKM O-Rings (SVCV)		334433	335216
	Mechanical Seal Assembly Hardened Steel Stationary Seat, Custom Carbon Rotating Seal Face, Neoprene O-Rings (SPCP)		334436	335219
	Mechanical Seal Assembly Hardened Steel Stationary Seat, Custom Carbon Rotating Seal Face, PTFE and Kalrez® O-Rings (SACK)		334434	335217
	Mechanical Seal Assembly Silicon Carbide Stationary Seat, Custom Carbon Rotating Seal Face, PTFE O-Rings (LACA)		334437	335220
	Mechanical Seal Assembly Silicon Carbide Stationary Seat, Custom Carbon Rotating Seal Face, HNBR O-Rings (LJCJ)		334438	335223
	Dual Mechanical Seal Assembly, Plan 53 Custom Carbon Stationary Seats, Hardened Steel Rotating Seal Face, FKM O-Rings (CVSV)		-	332189
	Dual Mechanical Seal Assembly, Plan 52 Custom Carbon Stationary Seats, Hardened Steel Rotating Seal Face, FKM O-Rings (CVSV)		-	33218
153A	Stationary Seat	2	**	**
153B	Rotating Seal Face	2	**	**
153C	Jacket Assembly	2	**	**
153D	O-Ring – Stationary (HNBR) (std)	2	702306	702307
	O-Ring – Stationary (FKM)		701970	702015
	O-Ring – Stationary (Neoprene)		711987	702104
	O-Ring – Stationary (PTFE)		702084	711999
153E	O-Ring – Rotating (HNBR) (std)	2	702302	702305
	O-Ring – Rotating (FKM)		701980	701962
	O-Ring – Rotating (Neoprene)		711900	702007
	O-Ring – Rotating (PTFE)		702109	702110
	O-Ring – Rotating (Kalrez®)		702170	702171
153F	O-Ring – Seal Cartridge (FKM)	2	-	702059
22	Seal Cartridge Capscrew	12	-	920369
-	Kit – Rebuild, Plan 52 Seal	-	-	899052
-	Kit – Rebuild, Plan 53 Seal	-	-	899053



¹ Included in Maintenance Kit and Rebuild Kit

** Mechanical Seal Asy. (Ref. No. 153) is only sold as a complete assembly.

Ref. Nos. 153A/153B/153C/ are not available as separate replacement parts.

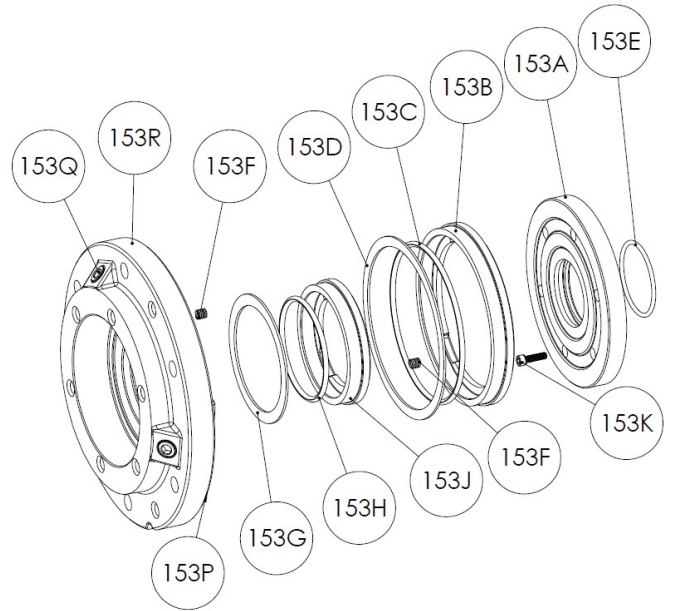
® Kalrez is a Registered Trademark of the DuPont Performance Elastomers.



MECHANICAL SEAL – DUAL SEAL

DUAL SEAL - PLAN 52

Ref. No.	Description	Parts per Seal	Part No.
153A	Rotating Seal ¹	1	332093
153B	Carbon, Outer ¹	1	332187
153C	O-ring, FKM ¹	1	701991
153D	Backer Ring, Outer	1	332085
153E	O-ring, FKM ¹	1	701962
153F	Spring ¹	27	332199
153G	Backer Ring, Inner	1	332088
153H	O-ring, FKM ¹	1	711929
153J	Carbon, Inner ¹	1	332086
153K	Sealing Capscrew ¹	6	920140
153P	O-ring, FKM ¹	1	702059
153Q	Plug	3	908192
153R	Cartridge, Seal Insert	1	332181

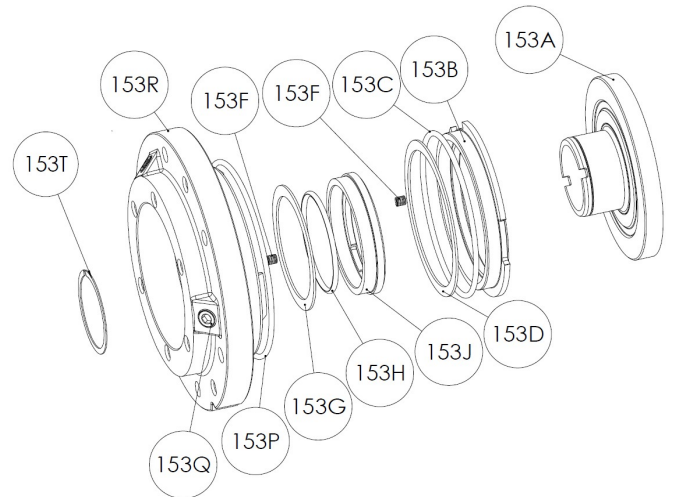


¹Included in Seal Rebuild Kit 899052

Note: For ordering Seal Rebuild Kit, consult Blackmer factory.

DUAL SEAL - PLAN 53

Ref. No.	Description	Parts per Seal	Part No.
153A	Rotating Seal Sub-Assembly ¹	1	332282
153B	Carbon, Outer ¹	1	332087
153C	O-ring, FKM ¹	1	702357
153D	Backer Ring, Outer	1	332089
153F	Spring ¹	21	332199
153G	Backer Ring, Inner	1	332088
153H	O-ring, FKM ¹	1	711929
153J	Carbon, Inner ¹	1	332086
153P	O-ring, FKM ¹	1	702059
153Q	Plug	3	908192
153R	Cartridge, Seal Insert	1	332081
153T	Snap Ring ¹	1	903590



¹Included in Seal Rebuild Kit 899053

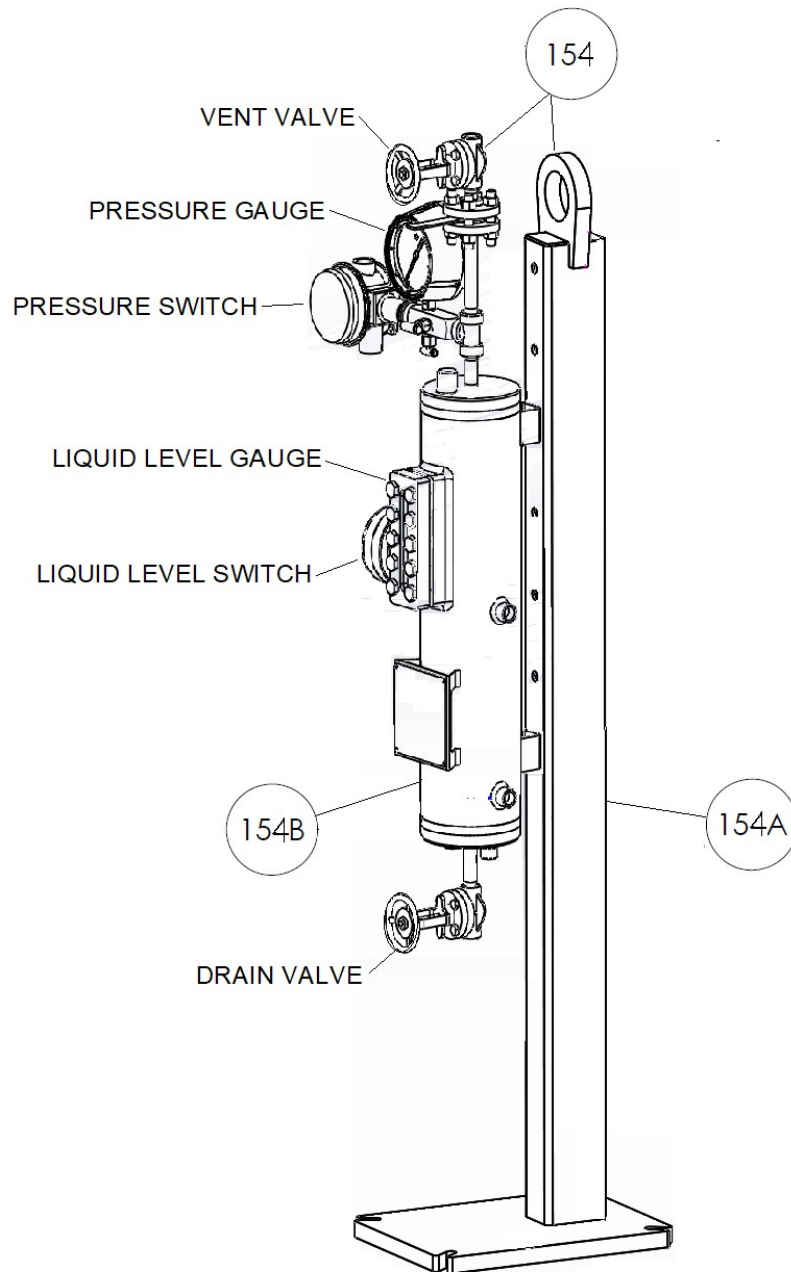
Note: For ordering Seal Rebuild Kit, consult Blackmer factory.



BARRIER FLUID SYSTEM ASSEMBLY

Ref. No.	Description	Parts per Seal	Part No.
154	BARRIER FLUID TANK ASSY	1	332172
154A	SUPPORT STAND	1	332171
154B	3 GAL SEAL POT ASSY	1	332170

Note: For ordering Seal Pot Assy, consult Blackmer factory.



Blackmer

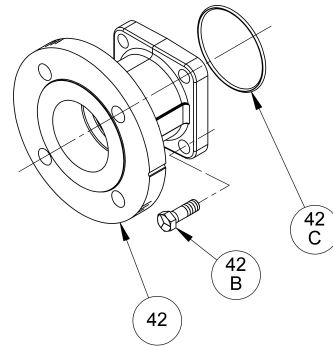
1809 Century Avenue, Grand Rapids, Michigan 49503-1530, U.S.A.
 Telephone: (616) 241-1611 / Fax: (616) 241-3752
 E-Mail: blackmer@blackmer.com / Internet: www.blackmer.com

Parts List 801-B01
 Page 4 of 5

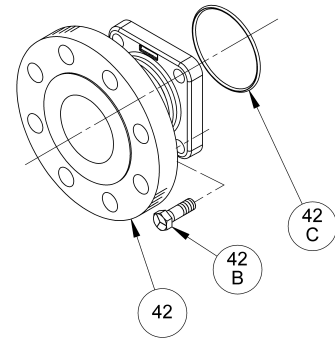
ADDITIONAL 3" FLANGE OPTIONS (Bolt on Companion Flanges)

Ref. No.	Description	Parts per Seal	Part No.
42	Flange ANSI 3" 150 lb. R.F. ¹	2	651817
	Flange ANSI 3" 300 lb. R.F.		651825
42C	O-Ring, Flange – (HNBR) (STD)	2	702312
	O-Ring, Flange – FKM		711931
	O-Ring, Flange – PTFE		702080
	O-Ring, Flange – Neoprene		711996
42B	Flange Capscrew – ANSI Flange	8	920510

¹ ANSI 3" 150 lb. R.F. are considered Non-Catalog Offering (NCO)



ANSI 3" 150 lb. R.F.

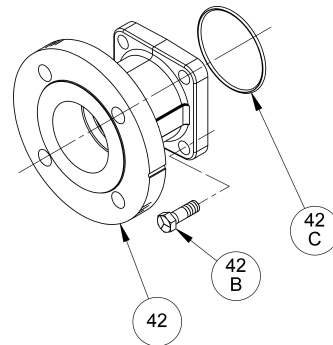


ANSI 3" 300 lb. R.F.

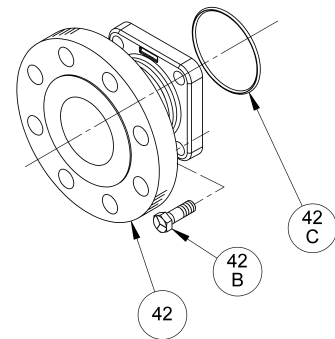
ADDITIONAL 2" FLANGE OPTIONS (Bolt on Companion Flanges)

Ref. No.	Description	Parts per Seal	Part No.
42	Flange ANSI 2" 150 lb. R.F. ¹	2	651417
	Flange ANSI 2" 300 lb. R.F.		651425
42C	O-Ring, Flange – (HNBR) (STD)	2	702309
	O-Ring, Flange – FKM		702086
	O-Ring, Flange – PTFE		702078
	O-Ring, Flange – Neoprene		711997
42B	Capscrew ANSI – Flange	8	920351

¹ ANSI 2" 150 lb. R.F. are considered Non-Catalog Offering (NCO)



ANSI 2" 150 lb. R.F.



ANSI 2" 300 lb. R.F.

