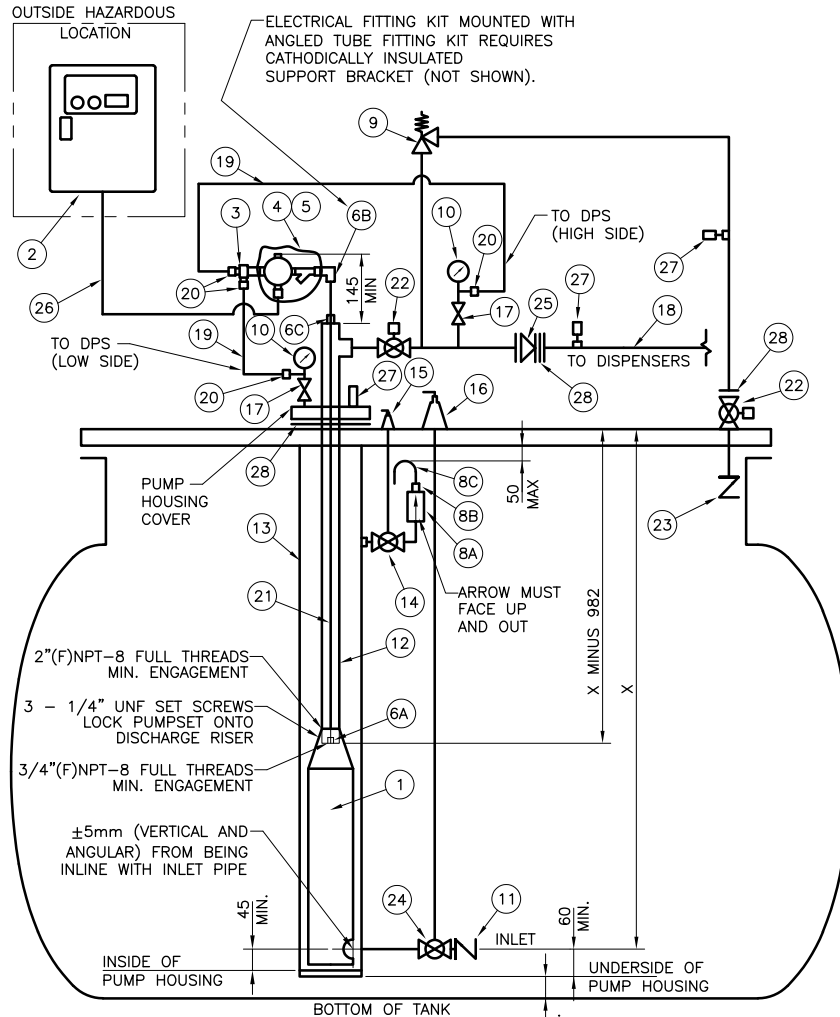


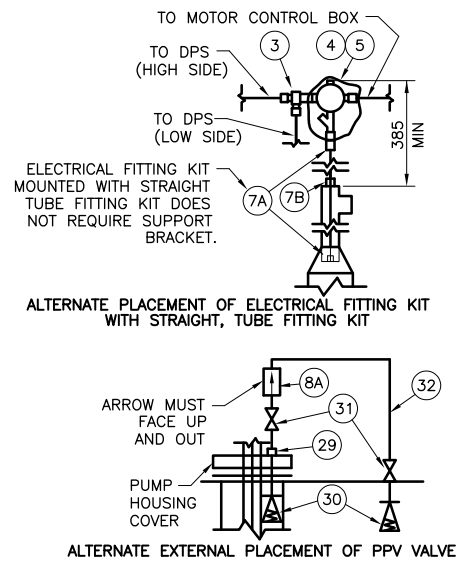
ITEM	DESCRIPTION	SUPPLY	QTY
1	EBSRAY 'RX10' 3.7kW SUBMERSIBLE PUMPSET Ex s IIA T4 CLASS 1 ZONE 0 AUS Ex3129X CE00810 II 2 G EEx d IIA T4 LCIE 03 ATEX6390	EBSRAY	1
2	EBSRAY 'THREE TIER PROTECTION' PLC PUMP CONTROLLER- IP55 FOR 3.7KW RX10 No. L861002-01#-16	EBSRAY	1
3	EBSRAY DIFFERENTIAL PRESSURE SWITCH (DPS) No. C860202 AUS Ex480-1 Ex s IIC T6 CLASS 1 ZONE 1 CE05390 II 2 G @02 ATEX0245938U EEx m II U.L. LISTED/CSA CERT. CLASS 1 GROUPS A, B, C & D DIV. 1 & 2	EBSRAY	1
4	ELECTRICAL FITTING KIT - Exd No. K860400 WHICH INCLUDES: (AUSTRALIAN CERTIFICATION ONLY)	EBSRAY	1
4A	1 - JUNCTION BOX - Exd WITH 1 x 1/2" NPT AND 3 x M25 CONDUIT ENTRIES, 8 x 2.5mm TERMINALS AND 2.5mm GROUND TERMINAL No. C860400		
4B	1 - 3/4"(F)NPT x 25(F)M CONDUIT SEAL - Exd WITH COMPOUND No. C860421		
4C	1 - 25(M)M HEX NIPPLE - Exd No. C860460		
4D	1 - 25(M)M PLUG - Exd No. C860465		
4E	1 - ARMoured CABLE BARRIER GLAND No. C860470		
5	ELECTRICAL FITTING KIT - Exd No. K860403 WHICH INCLUDES: (AUSTRALIAN CERTIFICATION ONLY)	EBSRAY	1
5A	1 - JUNCTION BOX - Exd WITH 8 x M25 CONDUIT ENTRIES, 12 x 2.5mm TERMINALS AND 2.5mm GROUND TERMINAL No. C860401		
5B	1 - 3/4"(F)NPT x 25(F)M CONDUIT SEAL - Exd WITH COMPOUND No. C860422		
5C	1 - 1/2"(F)NPT x 25(M)M ADAPTOR - Exd No. C860451		
5D	1 - 25(M)M HEX NIPPLE - Exd No. C860460		
5E	1 - 25(M)M PLUG - Exd No. C860465		
5F	1 - ARMoured CABLE BARRIER GLAND No. C860470		
6	ANGLED, TUBE FITTING KIT No. K850500 WHICH INCLUDES:	EBSRAY	1
6A	1 - 3/4" (M)NPT x 3/4" TUBE CONNECTOR-S.S. No. C850500		
6B	1 - 3/4" (M)NPT x 3/4" MALE FLOW-S.S. No. C850520		
6C	1 - 3/4" (M)NPT x 3/4" TUBE CONNECTOR-S.S. BORED THRU No. C850540		
7	STRAIGHT, TUBE FITTING KIT No. K850501 WHICH INCLUDES:	EBSRAY	1
7A	2 - 3/4" (M)NPT x 3/4" TUBE CONNECTOR-S.S. No. C850500		
7B	1 - 1" (M)NPT x 3/4" TUBE CONNECTOR-S.S. BORED THRU No. C850540		
8	EBSRAY 'PPV' VALVE INTERNAL MOUNTING KIT No. K850001 WHICH INCLUDES:	EBSRAY	1
8A	1 - EBSRAY 'PPV' VALVE, (POSITIVE PRESSURE VENTILATION VALVE)		
8B	1 - 1/2" (F)NPT x 1/2" (F)NPT No. C850001		
8C	1 - 1/2" (M)NPT x 3/8" TUBE CONNECTOR-BRASS No. C850510		
8C	1 - 3/8" OD x 1.2 WALL U-TUBE-COPPER-No. C850600		
9	EBSRAY 'RV18 NRV' BYPASS VALVE NON-RETURN BYPASS VALVE, 500-900 kPa TYPICAL 1" (F)NPT PORTS OR FLANGED DN25 ANSI CLASS 300 PORTS	EBSRAY	1
10	63mm, 0-2500 kPa PRESSURE GAUGE	EBSRAY	2
11	2" (M)NPT EXCESS FLOW VALVE REGO A3500L4 (OR EQUAL)	REGO	1
12	DN50 PIPE (DISCHARGE RISER) THREADED 2" (M)NPT ON PUMP END	COM'L	AS REQ.
13	DN150 (6") Sch 40 OR Sch 80 PIPE (PUMP HOUSING)	COM'L	AS REQ.
14	DN8 BALL VALVE (TO SUIT ITEM 15)	COM'L	1
15	VAPOUR BALANCE CLOSING MECHANISM WITH GLAND	COM'L	1
16	PUMP INLET CLOSING MECHANISM WITH GLAND	COM'L	1
17	DN8 BALL VALVE	COM'L	2
18	DN32 (MINIMUM) Sch 40 PIPE (PUMP DISCHARGE)	COM'L	1
19	1/4" OD x 0.9 WALL S.S. TUBING	COM'L	2M
20	1/4" (M)NPT x 1/4" TUBE CONNECTOR-S.S.	COM'L	4
21	3/4" OD x 1.6 WALL TUBING-S.S. (ELECTRICAL CONDUIT)	COM'L	AS REQ.
22	DN25 FULL BORE (MINIMUM) PNEUMATIC ACTUATED BALL VALVE	COM'L	2
23	DN25 (MINIMUM) EXCESS FLOW VALVE	COM'L	1
24	DN50 BALL VALVE (MUST BE FULL BORE)	COM'L	1
25	DN32 (MINIMUM) SOFT SEATED 'IN-FLANGE' BACK CHECK VALVE	COM'L	1
26	6 CORE PLUS GROUND x 2.5mm ² (MINIMUM) COMPLIANT CABLE	COM'L	AS REQ.
27	DN8 HYDROSTATIC RELIEF VALVE	COM'L	3
28	FLANGE INSULATION KIT (SIZES AS REQUIRED)	COM'L	3



TYPICAL ONLY

IMPORTANT NOTES


- 1 This P&ID is **TYPICAL ONLY** and Only Relates to the Specifications of the Minimum Equipment Required to Ensure the Optimum Performance, Maximum Life and Trouble-Free Operation of the Ebsray RX25 Submersible Pumpset and the Pumping System in General.
- 2 This P&ID Does **NOT** Depict:
 - 2.1 Ancillary Required Equipment Related to the Fabrication, Installation and Operation of the Pumpset e.g. Misc. Flanges, Fittings, Etc..
 - 2.2 Required Equipment unrelated to the Pumpset e.g. Tank Fill Lines, Vapour Return Lines, Emergency Shutdown Systems, Etc.
 - 2.3 The Materials and Method of Fabrication and/or Installation of the Tank and Required Sub-Systems.
- 3 It is the Responsibility of the Designer, Fabricator and the Installer of Each Actual Tank and Required Sub-Systems to Ensure that:
 - 3.1 The Ebsray Specifications within this P&ID and any other Relevant Ebsray Documents are **STRICTLY** Adhered to.
 - 3.2 Any Variation (Including Use of Equipment Deemed "Equivalent") or Addition to the Ebsray Specifications, as Related to the Pumpset and the Pumping System in General, meet Ebsray's Minimum Requirements.
 - 3.3 All Design, Fabrication and Installation of the Tank and Required Sub-Systems is **STRICTLY** in Accordance with all Relevant National, State and Local Codes, Regulations, Standards and Directives.
- 4 Ebsray Reserves the Right to:
 - 4.1 Withdraw or Alter Any or All of the Ebsray Specifications within this P&ID and any other Relevant Ebsray Documents without Notification.
 - 4.2 Determine the Validity of Any Warranty Claims for Ebsray Equipment Based on the Proper Application of Ebsray Supplied Equipment by the way of Adherence to the Ebsray Specifications within this P&ID and any other Relevant Ebsray Documents.



ITEM	DESCRIPTION	SUPPLY	QTY
29	DN8 INSULATING UNION	COM'L	1
30	DN20 EXCESS FLOW VALVE	COM'L	2
31	DN8 BALL VALVE	COM'L	2
32	3/8" OD (MIN) x 1.2 WALL S.S. TUBING	COM'L	AS REQ.

REV	DATE	DESCRIPTION	REV. BY	CKD. BY	APPR. BY
J	03.10.06	L861002 WAS L861001	J.J.D.	J.J.D.	
H	07.04.06	DPS ATEX ADDED, L861001-01#-16 WAS C860001, DN WAS NB, 6 CORE WAS 8 CORE, 'AUSTRALIAN CERT ONLY' ADDED TO ITEMS 4&5	J.J.D.	J.J.D.	
G	03.09.04	ITEM 1, LCIE CERTIFICATION NUMBER AND DETAILS UPDATED	N.O.C.	J.J.D.	
F	29.02.00	C860202 WAS C860200 DEMKO DETAIL ADDED TO SWITCH	J.J.D.	J.J.D.	J.J.D.

UNLESS STATED OTHERWISE ALL DIMENSIONS IN MILLIMETRES


EBS-RAY PUMPS PTY.LTD
 A.C.N. 000 061 003
 628 Pittwater Road Ph.(02) 9905 0234
 Brookvale N.S.W. 2100 Fax(02) 9938 3825

TITLE: TYPICAL INSTALLATION P&ID-AUS EBSRAY RX10 3.7kW SUBMERSIBLE PUMPSET		
SCALE: NA	DATE: 01-05-96	
DRAWN: J.J.D.	CHK.D: W.A.E.	APPR.: J.J.D.
COMP.No: A315001K	DRG.No: A315001K	REV. J