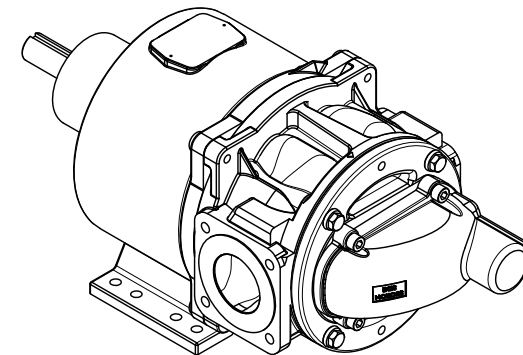
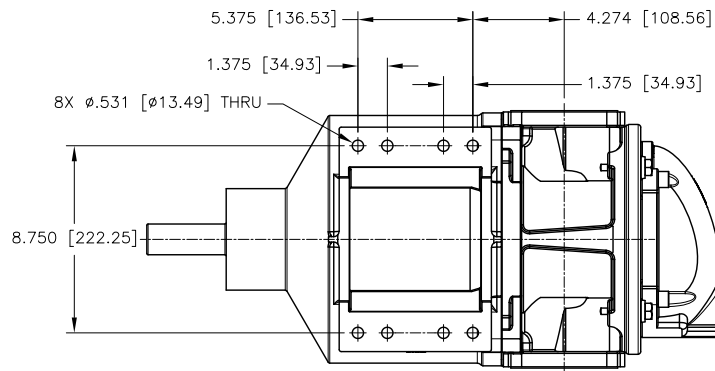
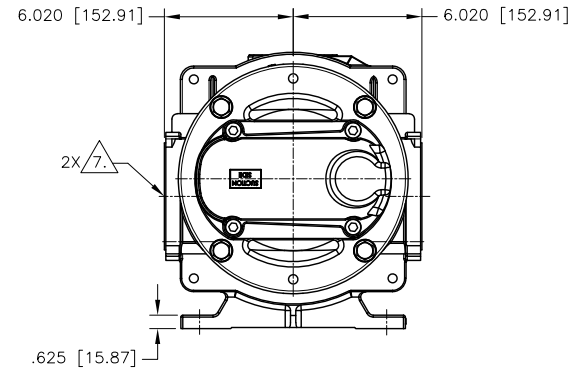
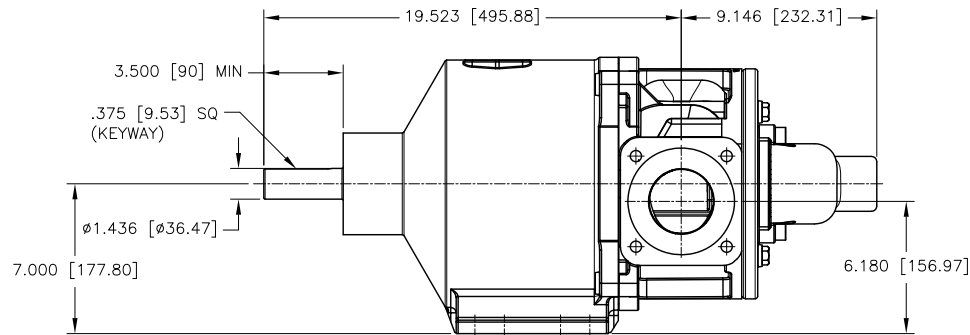


NOTES: UNLESS OTHERWISE SPECIFIED

1. DIMENSIONS AND TOLERANCES PER ASME Y14.5M-1994.
2. \* INDICATES DIMENSIONS AND/OR FEATURES MODIFIED ON CURRENT REVISION LEVEL.
3. ALL DIMENSIONS ARE FOR REFERENCE ONLY.
4. DIMENSIONS IN [ ] ARE MILLIMETERS.
5. PORT ORIENTATION SHOWN MAY BE DIFFERENT THAN THE SELECTED ORIENTATION.
6. THIS DRAWING DOES NOT SHOW DETAILS OF ALL OPTIONS AND ACCESSORIES.
7. AVAILABLE WITH ANSI 150# RAISED FACE COMPATIBLE FLANGE. SEE FLANGE CHART FOR DIMENSIONS.

FLANGE DIMENSIONS			
3" ANSI 150# COMPATIBLE			
NOMINAL PIPE SIZE	BOLT CIRCLE DIA	NO OF BOLTS	BOLT HOLE SIZE
3.00 [76.2]	6.00 [152.4]	4	0.625-11 UNC-2B

REV.	DESCRIPTION	BY	CHK.	APP.	DATE
A	RELEASED INTO PRODUCTION SEE ECN #E00122	-	-	-	-
B	SEE ECN #E00195	C.L.	R.A.	J.F.	02/21/14
C	SEE ECN #E00284	HARI	C.L.	B.W.	10/18/16



THIS DOCUMENT AND ITS CONTENTS ARE PROPRIETARY TO ENVIROGEAR INTERNAL GEAR PUMP. ANY REPRODUCTION, DISCLOSURE OR USE OF THIS DOCUMENT IS EXPRESSLY PROHIBITED EXCEPT AS OTHERWISE AGREED TO IN WRITING.

DO NOT SCALE DRAWING UNLESS OTHERWISE SPECIFIED DIMENSIONS ARE IN INCHES TOLERANCES ARE:				EnviroGear® Internal Gear Pumps 22069 VAN BUREN STREET GRAND TERRACE, CA 92313-5607 909 424-1751 WWW.ENVIROGEARPUMP.COM	
DECIMALS .XX ± -		TITLE		E1-55/69/82, 3" ANSI, 180 DEG, W/PRV DIMENSIONAL DRAWING	
.XXX ± -		DRAWN BY		C. LEOPOLD	
ANGLES ± -		DATE		01/24/13	
SCALE 1/4		CHECKED BY		R. ANDRADE	
SHEET 1 OF 1		DATE		02/13/13	
		APPROVED BY		N. WINSOR	
		DATE		02/13/13	
		ASSY. NO.			
		DRAWING NO.		LE0016	
		REV.		C	