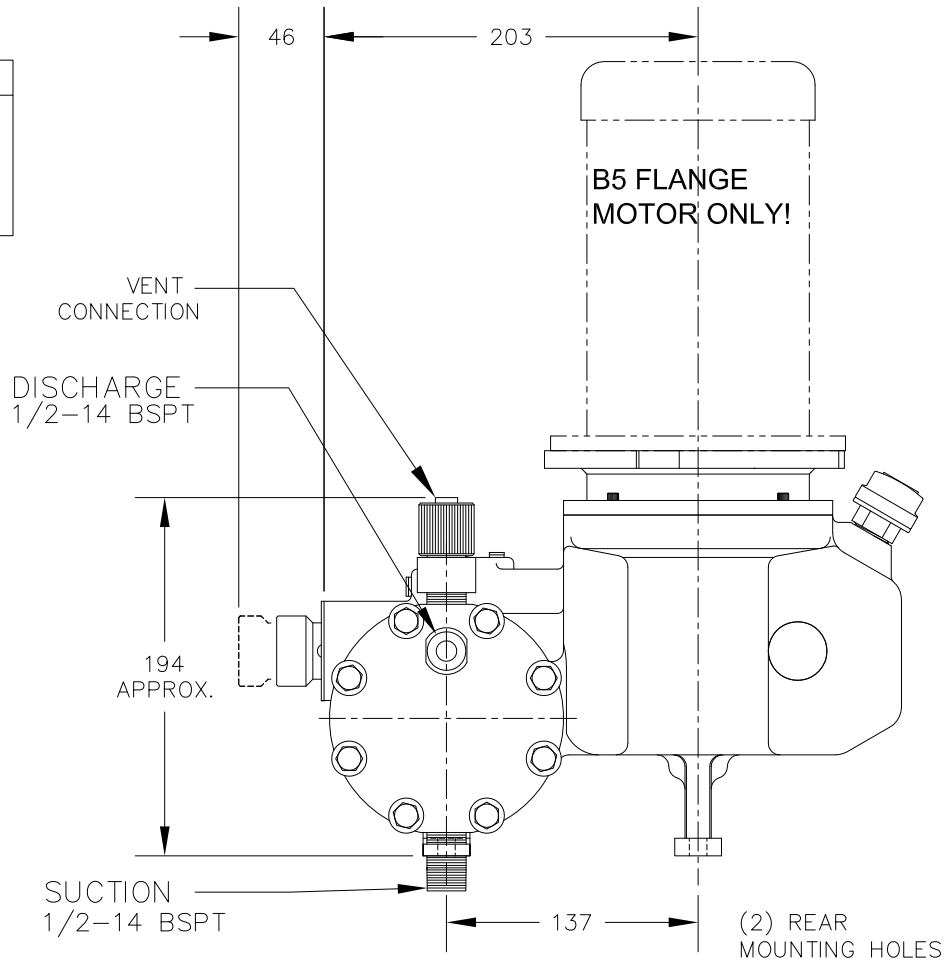


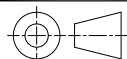


MODEL	LITER/HR	SPM
512-E-AR	7.6	72
515-E-AR	11.4	117
517-E-AR	14	144
525-E-AR	26.5	117
527-E-AR	32.6	144



<small>THIS DOCUMENT CONTAINS PROPRIETARY INFORMATION OF PSG - A DOVER COMPANY. ITS RECEIPT AND POSSESSION DO NOT CONVEY ANY RIGHTS TO REPRODUCE OR DISCLOSE ITS CONTENTS OR TO MANUFACTURE USE OR SELL ANYTHING IT MAY DESCRIBE. THIS DOCUMENT IS SUBJECT TO RETURN UPON REQUEST. REPRODUCTION, DISCLOSURE OR USE OF THIS DOCUMENT WITHOUT THE WRITTEN AUTHORIZATION OF DOVER CORPORATION IS STRICTLY FORBIDDEN.</small>		DO NOT SCALE DRAWING UNLESS OTHERWISE SPECIFIED DIMENSIONS ARE IN INCHES TOLERANCES ARE: DECIMALS .XX ± .01 .XXX ± .005 ANGLES ± 1/2°		  NEPTUNE PUMPS GRAND TERRACE, CA 92313 USA 909 424-7700 WWW.NEPTUNE1.COM	
THIRD ANGLE PROJECTION		TITLE SERIES 500 "dia" DUPLEX PUMP PVC HEAD WITH FALP-D71		SIZE C	
		DRAWN BY GL		DRAWING NO. 500-E-AR-METRIC	
APPROVED BY		DATE		SCALE 1/1	
				SHEET 1	