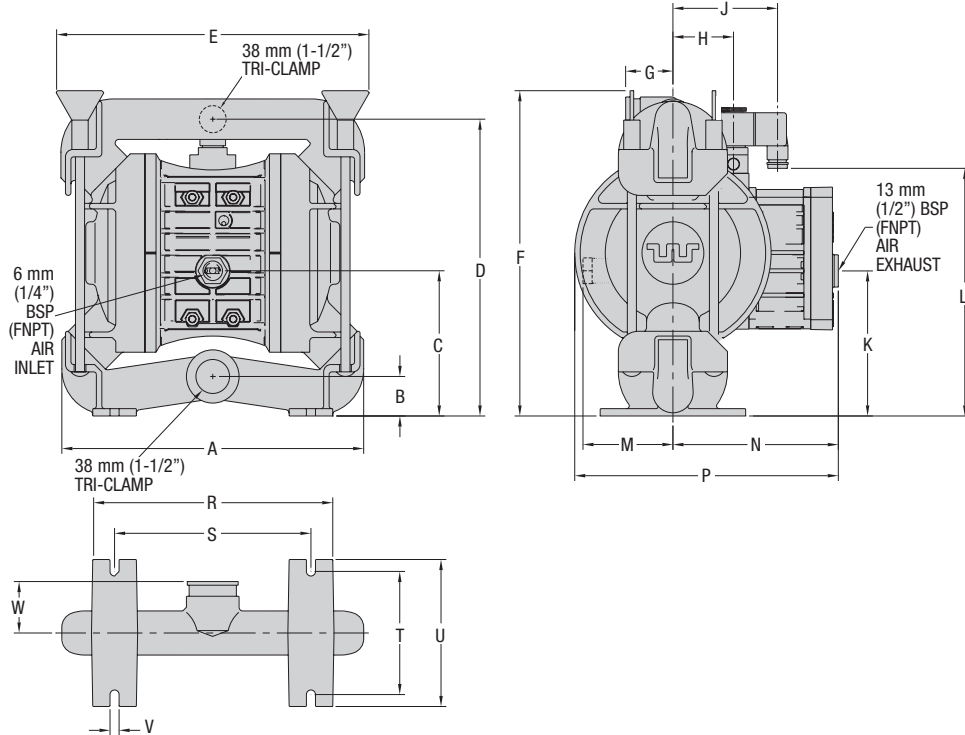


# DIMENSIONAL DRAWING

## A2P METAL SANIFLO<sup>FDA</sup> ACCU-FLO<sup>TM</sup>



### DIMENSIONS

| ITEM | METRIC (mm) | STANDARD (inch) |
|------|-------------|-----------------|
| A    | 267         | 10.5            |
| B    | 36          | 1.4             |
| C    | 124         | 4.9             |
| D    | 254         | 10.0            |
| E    | 267         | 10.5            |
| F    | 295         | 11.6            |
| G    | 41          | 1.6             |
| H    | 53          | 2.1             |
| J    | 91          | 3.6             |
| K    | 124         | 4.9             |
| L    | 213         | 8.4             |
| M    | 76          | 3.0             |
| N    | 117         | 4.6             |
| P    | 203         | 8.0             |
| R    | 211         | 8.3             |
| S    | 173         | 6.8             |
| T    | 107         | 4.2             |
| U    | 127         | 5.0             |
| V    | 8           | 0.3             |
| W    | 43          | 1.7             |