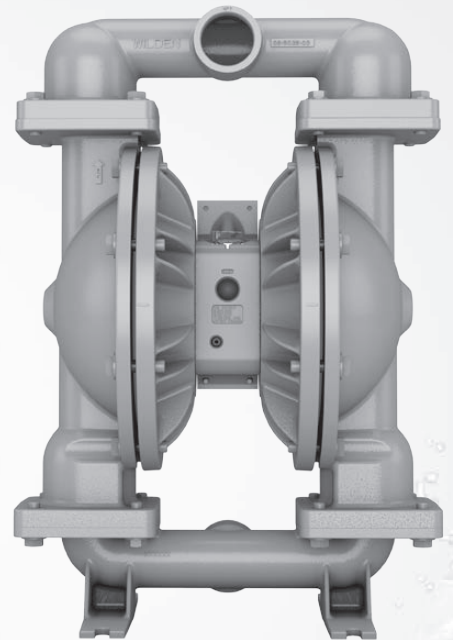


WILDEN®

EOM
Engineering
Operation &
Maintenance

PX820/PX830
FIT Metal Pump



Where Innovation Flows

wildenpump.com


a **DOVER** company

TABLE OF CONTENTS

SECTION 1 CAUTIONS—READ FIRST! 1

SECTION 2 WILDEN PUMP DESIGNATION SYSTEM 2

SECTION 3 HOW IT WORKS—PUMP & AIR DISTRIBUTION SYSTEM 3

SECTION 4 DIMENSIONAL DRAWINGS 4

SECTION 5 PERFORMANCE

 PX820/PX830 Performance

 Operating Principle 8

 How to Use this EMS Curve 9

 Performance Curves

 Aluminum Rubber-Fitted 12

 Aluminum EZ-Install TPE-Fitted 13

 Aluminum Reduced-Stroke PTFE-Fitted 14

 Aluminum Full-Stroke PTFE-Fitted 15

 Aluminum Ultra-Flex™ -Fitted 16

 Stainless Steel Full-Stroke Rubber-Fitted 17

 Stainless Steel Full-Stroke TPE-Fitted 18

 Stainless Steel Full-Stroke PTFE-Fitted 19

 Stainless Steel Ultra-Flex™ -Fitted 20

 Stainless Steel Reduced-Stroke PTFE-Fitted 21

 Suction-Lift Curves 22

SECTION 6 SUGGESTED INSTALLATION, OPERATION & TROUBLESHOOTING 24

SECTION 7 DISASSEMBLY / REASSEMBLY 27

SECTION 8 EXPLODED VIEW & PARTS LISTING

 PX820/PX830 Aluminum


 Rubber/TPE/PTFE/Ultra-Flex™ -Fitted 34


 PX820/PX830 Stainless Steel


 Rubber/TPE/PTFE/Ultra-Flex™ -Fitted 38

SECTION 9 ELASTOMER OPTIONS 41

CAUTIONS—READ FIRST!

 **CAUTION:** Do not apply compressed air to the exhaust port — pump will not function.

 **CAUTION:** Do not, under any circumstance loosen the set screw located at the adjuster dial of the Pro-Flo X™ pump. If the set screw is loose when the pump is pressurized, it could eject and cause injury to anyone in the area.


 **CAUTION:** Do not over-lubricate air supply — excess lubrication will reduce pump performance. Pump is pre-lubed.


 **TEMPERATURE LIMITS:**


Acetal	–29°C to 82°C	–20°F to 180°F
Buna-N	–12°C to 82°C	10°F to 180°F
Geolast [®]	–40°C to 82°C	–40°F to 180°F
Neoprene	–18°C to 93°C	0°F to 200°F
Nordel [®] EPDM	–51°C to 138°C	–60°F to 280°F
Nylon	–18°C to 93°C	0°F to 200°F
PFA	–7°C to 107°C	45°F to 225°F
Polypropylene	0°C to 79°C	32°F to 175°F
Polyurethane	–12°C to 66°C	10°F to 150°F
PVDF	–12°C to 107°C	10°F to 225°F
Saniflex™	–29°C to 104°C	–20°F to 220°F
SIPD PTFE with EPDM-backed	4°C to 137°C	40°F to 280°F
SIPD PTFE with Neoprene-backed	4°C to 93°C	40°F to 200°F
PTFE ¹	4°C to 104°C	40°F to 220°F
Viton [®] FKM	–40°C to 177°C	–40°F to 350°F
Wil-Flex™	–40°C to 107°C	–40°F to 225°F


¹4°C to 149°C (40°F to 300°F) - 13 mm (1/2") and 25 mm (1") models only.


NOTE: Not all materials are available for all models. Refer to Section 2 for material options for your pump.

 **CAUTION:** When choosing pump materials, be sure to check the temperature limits for all wetted components. Example: Viton[®] has a maximum limit of 177°C (350°F) but polypropylene has a maximum limit of only 79°C (175°F).


 **CAUTION:** Maximum temperature limits are based upon mechanical stress only. Certain chemicals will significantly reduce maximum safe operating temperatures. Consult Chemical Resistance Guide for chemical compatibility and temperature limits.


 **WARNING:** Prevent static sparking. If static sparking occurs, fire or explosion could result. Pump, valves and containers must be grounded to a proper grounding point when handling flammable fluids and whenever discharge of static electricity is a hazard.


 **CAUTION:** Do not exceed 8.6 bar (125 psig) air-supply pressure.


 **CAUTION:** The process fluid and cleaning fluids must be chemically compatible with all wetted pump components. Consult Chemical Resistance Guide.


 **CAUTION:** Do not exceed 82°C (180°F) air inlet temperature for Pro-Flo X™ models.


 **CAUTION:** Pumps should be thoroughly flushed before installing into process lines. FDA- and USDA-approved pumps should be cleaned and/or sanitized before being used.


 **CAUTION:** Always wear safety glasses when operating pump. If diaphragm rupture occurs, material being pumped may be forced out air exhaust.


 **CAUTION:** Before any maintenance or repair is attempted, the compressed air line to the pump should be disconnected and all air pressure allowed to bleed from pump. Disconnect all intake, discharge and air lines. Drain the pump by turning it upside down and allowing any fluid to flow into a suitable container.


 **CAUTION:** Blow out air line for 10 to 20 seconds before attaching to pump to make sure all pipeline debris is clear. Use an in-line air filter. A 5μ (micron) air filter is recommended.

 **NOTE:** When installing PTFE diaphragms, it is important to tighten outer pistons simultaneously (turning in opposite directions) to ensure tight fit. (See torque specifications in Section 7.)

 **NOTE:** Cast Iron PTFE-fitted pumps come standard from the factory with expanded PTFE gaskets installed in the diaphragm bead of the liquid chamber. PTFE gaskets cannot be re-used.

 **NOTE:** Before starting disassembly, mark a line from each liquid chamber to its corresponding air chamber. This line will assist in proper alignment during reassembly.

 **CAUTION:** Pro-Flo[®] pumps cannot be used in submersible applications. Pro-Flo X™ is available in both single-point exhaust (submersible) and standard (non-submersible) options. Do not use standard Pro-Flo X™ models in submersible applications. Turbo-Flo[®] pumps are also available in a single-point exhaust (submersible) configuration.

 **CAUTION:** Tighten all hardware prior to installation.



WILDEN PUMP DESIGNATION SYSTEM

PX820/PX830 METAL

**51 mm (2") Pump
Maximum Flow Rate:
674 lpm (178 gpm)**

LEGEND

PX820 / XXXXX / XXX / XX / XXX / XXXX

MODEL

AIR VALVE
CENTER BLOCK
AIR CHAMBERS
WETTED PARTS & OUTER PISTON

DIAPHRAGMS

VALVE BALLS
VALVE SEATS

O-RINGS
SPECIALTY CODE
(if applicable)

MATERIAL CODES

MODEL

PX820 = PRO-FLO X™
THREADED PORTS
XPX820 = PRO-FLO X™ ATEX
THREADED PORTS
PX830 = PRO-FLO X™
FLANGED PORTS
XPX830 = PRO-FLO X™ ATEX
FLANGED PORTS

WETTED PARTS & OUTER PISTON

AA = ALUMINUM / ALUMINUM
SS = STAINLESS STEEL
STAINLESS STEEL

AIR CHAMBERS

A = ALUMINUM
C = PTFE-COATED
N = NICKEL-PLATED
S = STAINLESS STEEL

CENTER BLOCK

A = ALUMINUM
N = NICKEL-PLATED
P = POLYPROPYLENE
S = STAINLESS STEEL

AIR VALVE

A = ALUMINUM
N = NICKEL-PLATED
P = POLYPROPYLENE
S = STAINLESS STEEL

DIAPHRAGMS

BNS = BUNA-N (Red Dot)
BNU = BUNA-N, ULTRA-FLEX™
FSS = SANIFLEX™
[Hytrel® (Cream)]
FWS = SANITARY WIL-FLEX™,
EZ-INSTALL [Santoprene®
(Two Orange Dots)]
EPS = EPDM (Blue Dot)
EPU = EPDM, ULTRA-FLEX™
NES = NEOPRENE (Green Dot)
NEU = NEOPRENE, ULTRA-FLEX™
PUS = POLYURETHANE (Clear)
TEU = PTFE W/EPDM
BACK-UP (White)
TNU = PTFE W/NEOPRENE
BACK-UP (White)
TSS = FULL-STROKE PTFE
W/SANIFLEX™ BACK-UP
TSU = PTFE W/SANIFLEX™
BACK-UP (White)
TWS = FULL-STROKE PTFE
W/WIL-FLEX™ BACK-UP
VTS = VITON® (White Dot)
VTU = VITON®, ULTRA-FLEX™
WFS = WIL-FLEX™ [Santoprene®
(Orange Dot)]
XBS = CONDUCTIVE BUNA-N
(Two Red Dots)
ZGS = GEOLAST®, EZ-INSTALL
ZPS = POLYURETHANE,
EZ-INSTALL
ZSS = SANIFLEX™, EZ-INSTALL
ZWS = WIL-FLEX™, EZ-INSTALL

VALVE BALLS

BN = BUNA-N (Red Dot)
EP = EPDM (Blue Dot)
FS = SANIFLEX™ [Hytrel® (Cream)]
FW = SANITARY WIL-FLEX™
[Santoprene® (Two Orange
Dots)]
NE = NEOPRENE (Green Dot)
PU = POLYURETHANE (Brown)
TF = PTFE (White)
VT = VITON® (Silver
or White Dot)
WF = WIL-FLEX™ [Santoprene®
(Orange Dot)]

VALVE SEATS

A = ALUMINUM
BN = BUNA-N (Red Dot)
EP = EPDM (Blue Dot)
FS = SANIFLEX™ [Hytrel® (Cream)]
FW = SANITARY WIL-FLEX™
[Santoprene® (Two Orange
Dots)]
H = ALLOY C
NE = NEOPRENE (Green Dot)
M = MILD STEEL
PU = POLYURETHANE (Brown)
S = STAINLESS STEEL
VT = VITON® (Silver
or White Dot)
WF = WIL-FLEX™ [Santoprene®
(Orange Dot)]

VALVE SEAT O-RINGS

TF = PTFE

SPECIALTY CODES

- | | |
|---------------------------------|--|
| 0014 BSPT | 0480 Pump Cycle Monitor (sensor & wires) |
| 0100 Wil-Gard 110V | 0483 Pump Cycle Monitor (module, sensor & wires) |
| 0102 Wil-Gard sensor wires ONLY | 0485 Pump Cycle Monitor (module, sensor & wires), DIN flange |
| 0103 Wil-Gard 220V | 0504 DIN flange |

NOTE: MOST ELASTOMERIC MATERIALS USE COLORED DOTS FOR IDENTIFICATION.

NOTE: Not all models are available with all material options.

Viton® is a registered trademark of DuPont Dow Elastomers.



HOW IT WORKS — PUMP

The Wilden diaphragm pump is an air-operated, positive displacement, self-priming pump. These drawings show flow pattern through the pump upon its initial stroke. It is assumed the pump has no fluid in it prior to its initial stroke.

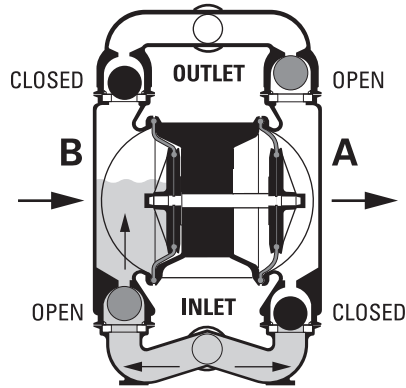


FIGURE 1 The air valve directs pressurized air to the back side of diaphragm A. The compressed air is applied directly to the liquid column separated by elastomeric diaphragms. The diaphragm acts as a separation membrane between the compressed air and liquid; a balanced load removes mechanical stress from the diaphragm. The compressed air moves the diaphragm away from the center of the pump. The opposite diaphragm is pulled in by the shaft connected to the pressurized diaphragm. Diaphragm B is on its suction stroke; air behind the diaphragm has been forced out to atmosphere through the exhaust port of the pump. The movement of diaphragm B toward the center of the pump creates a vacuum within chamber B. Atmospheric pressure forces fluid into the inlet manifold forcing the inlet valve ball off its seat. Liquid is free to move past the inlet valve ball and fill the liquid chamber (see shaded area).

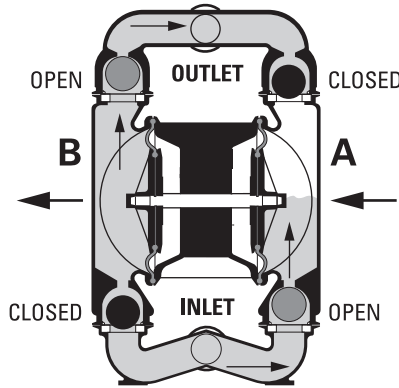


FIGURE 2 When the pressurized diaphragm (diaphragm A), reaches the limit of its discharge stroke, the air valve redirects pressurized air to the back side of diaphragm B. The pressurized air forces diaphragm B away from the center while pulling diaphragm A to the center. Diaphragm B is now on its suction stroke. Diaphragm B forces the inlet valve ball onto its seat due to the hydraulic forces developed in the liquid chamber and manifold of the pump. These same hydraulic forces lift the discharge valve ball off its seat, forcing fluid to flow through the pump discharge. The movement of diaphragm A toward the center of the pump creates a vacuum within liquid chamber A. Atmospheric pressure forces fluid into the inlet manifold of the pump. The inlet valve ball is forced off its seat allowing the fluid being pumped to fill the liquid chamber.

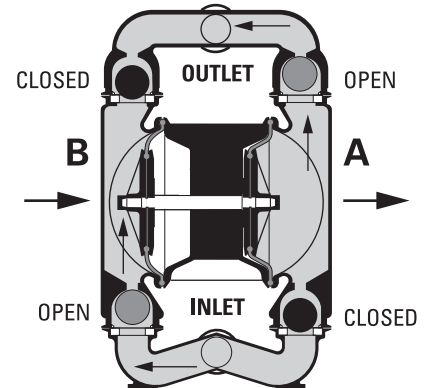
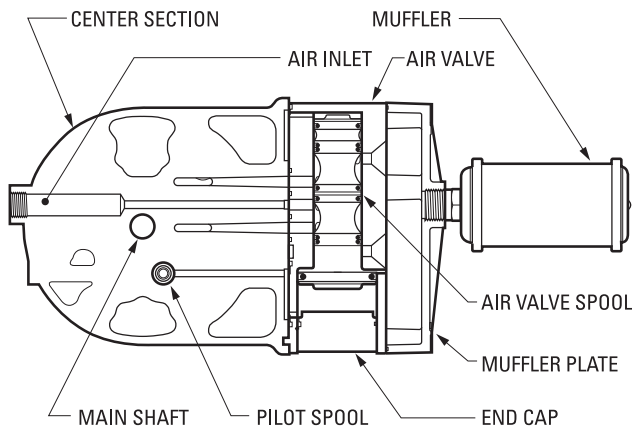


FIGURE 3 At completion of the stroke, the air valve again redirects air to the back side of diaphragm A, which starts diaphragm B on its exhaust stroke. As the pump reaches its original starting point, each diaphragm has gone through one exhaust and one discharge stroke. This constitutes one complete pumping cycle. The pump may take several cycles to completely prime depending on the conditions of the application.



HOW IT WORKS — AIR DISTRIBUTION SYSTEM

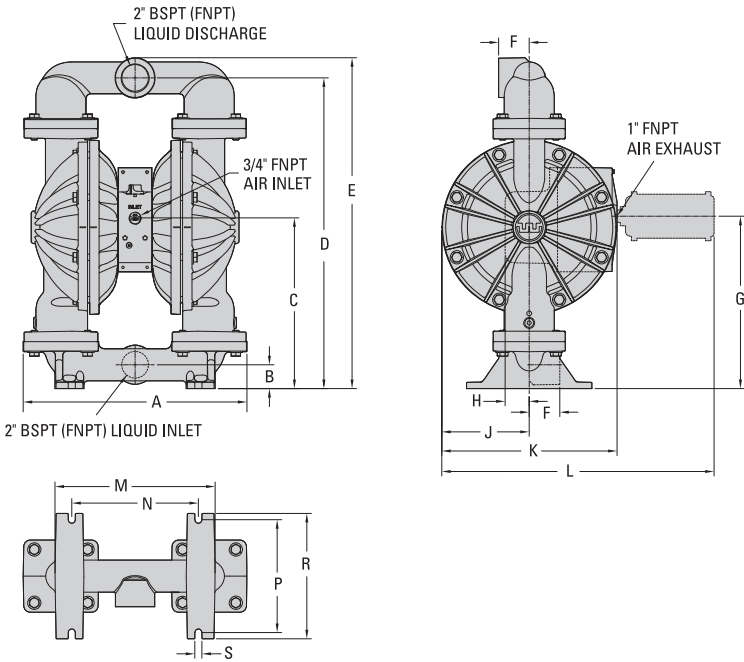


The Pro-Flo® patented Air Distribution System incorporates two moving parts: the air valve spool and the pilot spool. The heart of the system is the air valve spool and air valve. This valve design incorporates an unbalanced spool. The smaller end of the spool is pressurized continuously, while the large end is alternately pressurized then exhausted to move the spool. The spool directs pressurized air to one air chamber while exhausting the other. The air causes the main shaft/diaphragm assembly to shift to one side — discharging liquid on that side and pulling liquid in on the other side. When the shaft reaches the end of its stroke, the inner piston actuates the pilot spool, which pressurizes and exhausts the large end of the air valve spool. The repositioning of the air valve spool routes the air to the other air chamber.



DIMENSIONAL DRAWINGS

PX820 Aluminum

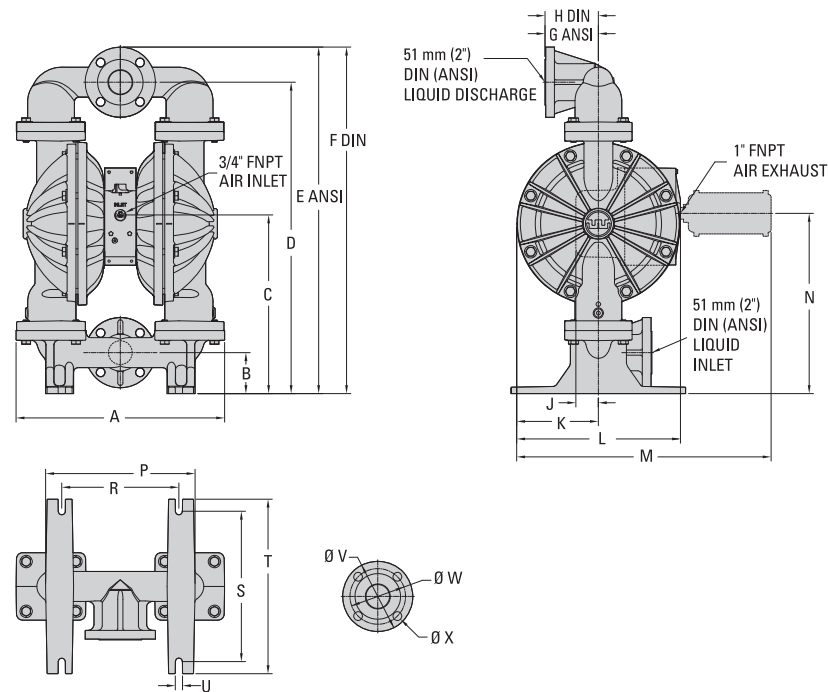


DIMENSIONS

ITEM	METRIC (mm)	STANDARD (inch)
A	453	17.9
B	48	1.9
C	346	13.6
D	630	24.8
E	670	26.4
F	62	2.4
G	349	13.8
H	49	1.9
J	177	7.0
K	355	14.0
L	552	21.7
M	324	12.8
N	257	10.1
P	229	9.0
R	254	10.0
S	14	0.6

LW0178, Rev. A

PX830 Aluminum

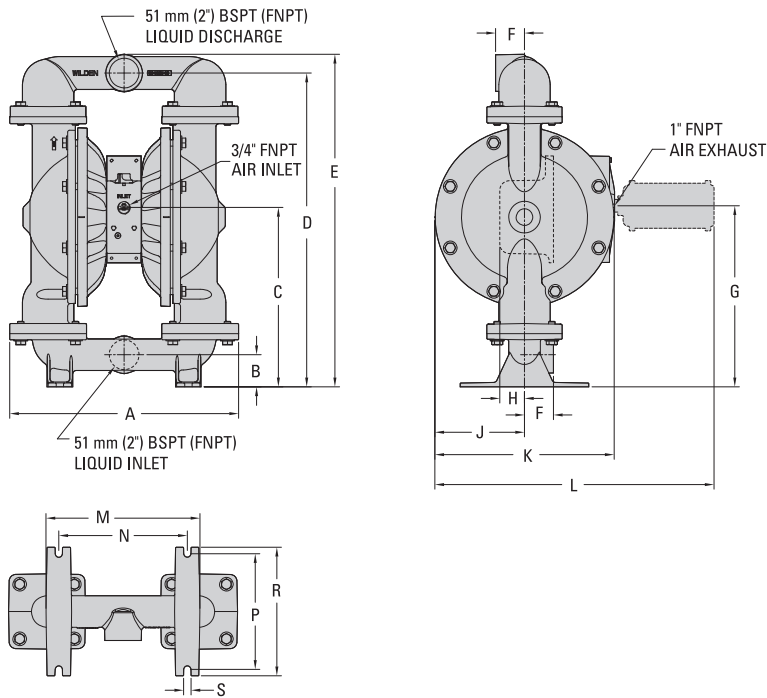


DIMENSIONS

ITEM	METRIC (mm)	STANDARD (inch)
A	452	17.8
B	89	3.5
C	388	15.3
D	675	26.6
E	752	29.6
F	758	29.8
G	116	4.6
H	117	4.6
J	49	1.9
K	177	7.0
L	355	14.0
M	552	21.7
N	391	15.4
P	324	12.8
R	254	10.0
S	326	12.8
T	378	14.9
U	16	0.6
	DIN (mm)	ANSI (Inch)
V	165 DIA	6.0 DIA
W	125 DIA	4.8 DIA
X	18 DIA	0.8 DIA

LW0179, Rev. A

PX820 Stainless Steel

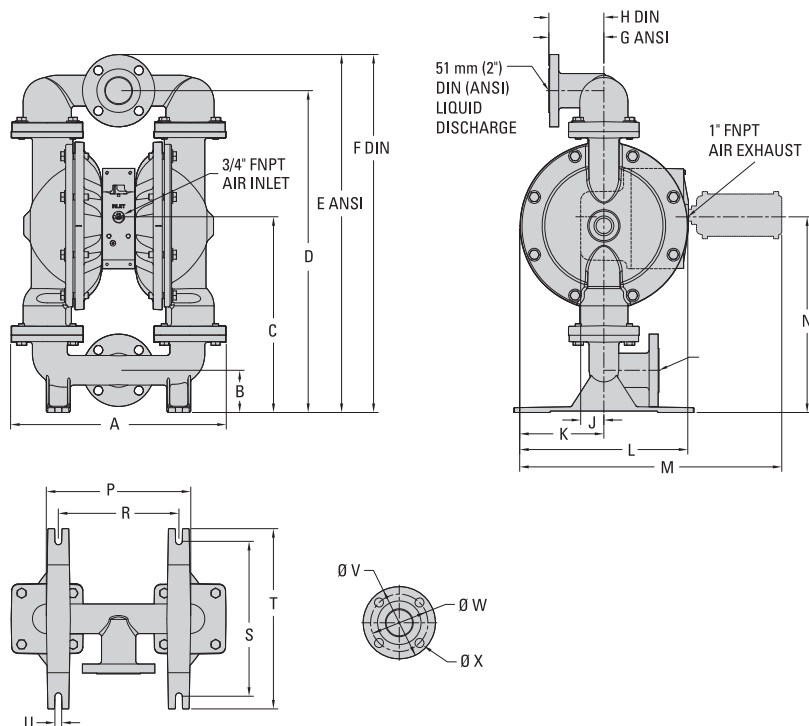


DIMENSIONS

ITEM	METRIC (mm)	STANDARD (inch)
A	452	17.8
B	64	2.5
C	356	14.0
D	620	24.4
E	658	25.9
F	58	2.3
G	358	14.1
H	48	1.9
J	178	7.0
K	356	14.0
L	551	21.7
M	305	12.0
N	254	10.0
P	229	9.0
R	254	10.0
S	15	0.6

LW0151, Rev. A

PX830 Stainless Steel



DIMENSIONS

ITEM	METRIC (mm)	STANDARD (inch)
A	452	17.8
B	89	3.5
C	411	16.2
D	678	26.7
E	754	29.7
F	760	29.9
G	116	4.6
H	115	4.5
J	49	1.9
K	177	7.0
L	355	14.0
M	552	21.7
N	411	16.2
P	304	12.0
R	254	10.0
S	325	12.8
T	379	14.9
U	14	0.6
	DIN (mm)	ANSI (Inch)
V	165 DIA.	6.0 DIA.
W	125 DIA.	4.8 DIA.
X	18 DIA.	0.8 DIA.

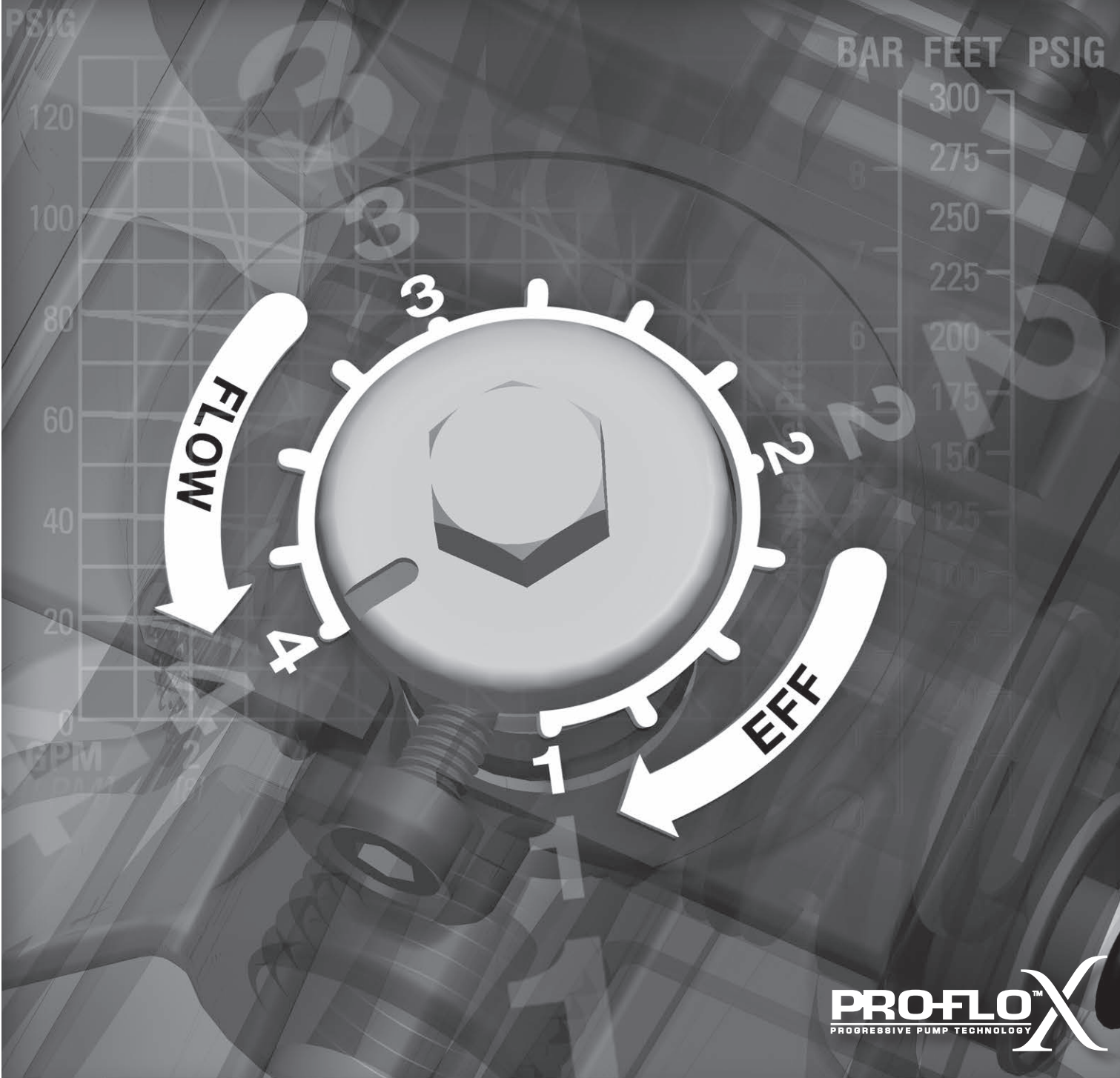
LW0078, Rev. C

NOTES

PX820 / PX830

M E T A L

WILDEN®



PX820 / PX830 PERFORMANCE



Pro-Flo X™ Operating Principle

The Pro-Flo X™ air distribution system with the revolutionary Efficiency Management System (EMS) offers flexibility never before seen in the world of AODD pumps. The EMS is simple and easy to use. With the turn of an integrated control dial, the

operator can select the optimal balance of flow and efficiency that best meets the application needs. Pro-Flo X™ provides higher performance, lower operational costs and flexibility that exceeds previous industry standards.



<p>Turning the dial changes the relationship between air inlet and exhaust porting.</p>	<p>Each dial setting represents an entirely different flow curve.</p>	<p>Pro-Flo X™ pumps are shipped from the factory on setting 4, which is the highest flow rate setting possible.</p>	<p>Moving the dial from setting 4 causes a decrease in flow and an even greater decrease in air consumption.</p>	<p>When the air consumption decreases more than the flow rate, efficiency is improved and operating costs are reduced.</p>

Example 1

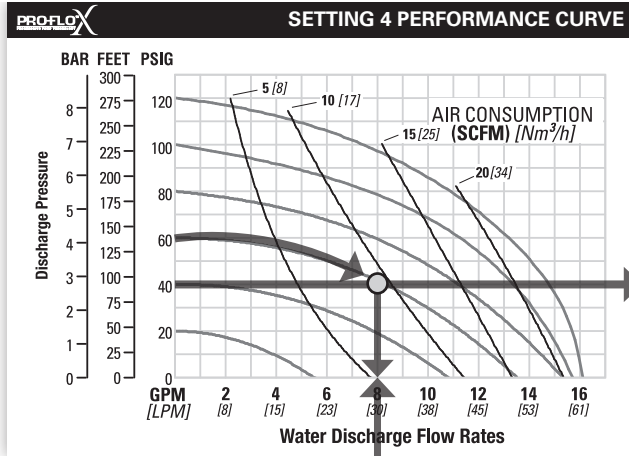


Figure 1

Example data point = **8.2** GPM

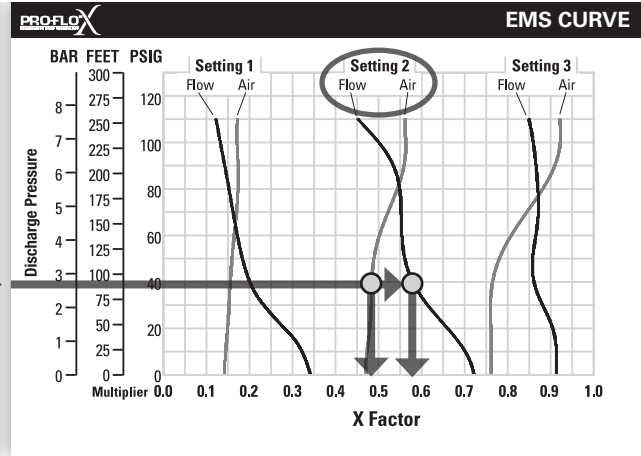


Figure 2

Example data point = **0.58** flow multiplier
0.48 air multiplier

This is an example showing how to determine flow rate and air consumption for your Pro-Flo X™ pump using the Efficiency Management System (EMS) curve and the performance curve. For this example we will be using 4.1 bar (60 psig) inlet air pressure and 2.8 bar (40 psig) discharge pressure and EMS setting 2.

Step 1: Identifying performance at setting 4. Locate the curve that represents the flow rate of the pump with 4.1 bar (60 psig) air inlet pressure. Mark the point where this curve crosses the horizontal line representing 2.8 bar (40 psig) discharge pressure (Figure 1). After locating your performance point on the flow curve, draw a vertical line downward until reaching the bottom scale on the chart. Identify the flow rate (in this case, 8.2 gpm). Observe location of performance point relative to air consumption curves and approximate air consumption value (in this case, 9.8 scfm).

Step 2: Determining flow and air X Factors. Locate your discharge pressure (40 psig) on the vertical axis of the EMS curve (Figure 2). Follow along the 2.8 bar (40 psig) horizontal line until intersecting both flow and air curves for your desired EMS setting (in this case, setting 2). Mark the points where the EMS curves intersect the horizontal discharge pressure line. After locating your EMS points on the EMS

curve, draw vertical lines downward until reaching the bottom scale on the chart. This identifies the flow X Factor (in this case, 0.58) and air X Factor (in this case, 0.48).

Step 3: Calculating performance for specific EMS setting. Multiply the flow rate (8.2 gpm) obtained in Step 1 by the flow X Factor multiplier (0.58) in Step 2 to determine the flow rate at EMS setting 2. Multiply the air consumption (9.8 scfm) obtained in Step 1 by the air X Factor multiplier (0.48) in Step 2 to determine the air consumption at EMS setting 2 (Figure 3).

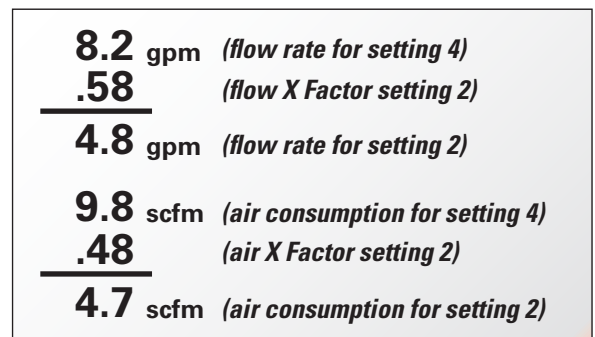


Figure 3

The flow rate and air consumption at setting 2 are found to be 18.2 lpm (4.8 gpm) and 7.9 Nm³/h (4.7 scfm) respectively.

Example 2.1

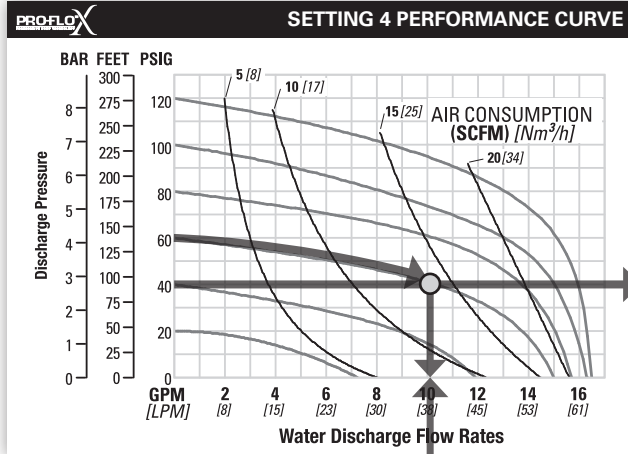


Figure 4

Example data point = **10.2** gpm

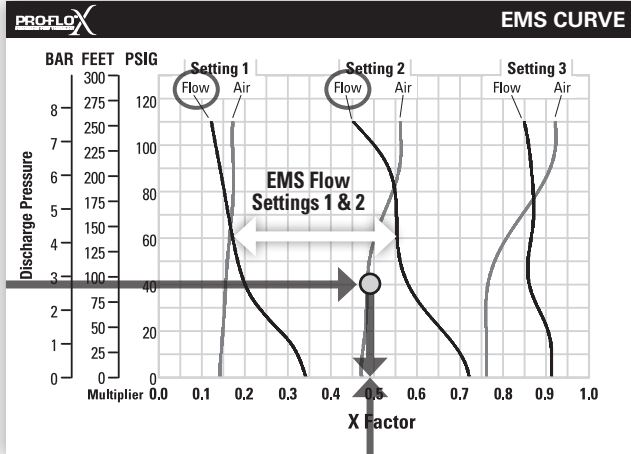


Figure 5

0.49 flow multiplier

This is an example showing how to determine the inlet air pressure and the EMS setting for your Pro-Flo X™ pump to optimize the pump for a specific application. For this example we will be using an application requirement of 18.9 lpm (5 gpm) flow rate against 2.8 bar (40 psig) discharge pressure. This example will illustrate how to calculate the air consumption that could be expected at this operational point.

DETERMINE EMS SETTING

Step 1: Establish inlet air pressure. Higher air pressures will typically allow the pump to run more efficiently, however, available plant air pressure can vary greatly. If an operating pressure of 6.9 bar (100 psig) is chosen when plant air frequently dips to 6.2 bar (90 psig) pump performance will vary. Choose an operating pressure that is within your compressed air system's capabilities. For this example we will choose 4.1 bar (60 psig).

Step 2: Determine performance point at setting 4. For this example an inlet air pressure of 4.1 bar (60 psig) inlet air pressure has been chosen. Locate the curve that represents the performance of the pump with 4.1 bar (60 psig) inlet air pressure. Mark the point where this curve crosses the horizontal line representing 2.8 bar (40 psig) discharge pressure. After locating this point on the flow curve, draw a vertical line downward until reaching the bottom scale on the chart and identify the flow rate.

In our example it is 38.6 lpm (10.2 gpm). This is the setting 4 flow rate. Observe the location of the performance point relative to air consumption curves and approximate air consumption value. In our example setting 4 air consumption is 24 Nm³/h (14 scfm). (See figure 4.)

Step 3: Determine flow X Factor. Divide the required flow rate 18.9 lpm (5 gpm) by the setting 4 flow rate 38.6 lpm (10.2 gpm) to determine the flow X Factor for the application.

$$5 \text{ gpm} / 10.2 \text{ gpm} = 0.49 \text{ (flow X Factor)}$$

Step 4: Determine EMS setting from the flow X Factor. Plot the point representing the flow X Factor (0.49) and the application discharge pressure 2.8 bar (40 psig) on the EMS curve. This is done by following the horizontal 2.8 bar (40 psig) discharge pressure line until it crosses the vertical 0.49 X Factor line. Typically, this point lies between two flow EMS setting curves (in this case, the point lies between the flow curves for EMS setting 1 and 2). Observe the location of the point relative to the two curves it lies between and approximate the EMS setting (Figure 5). For more precise results you can mathematically interpolate between the two curves to determine the optimal EMS setting.

For this example the EMS setting is 1.8.

Example 2.2

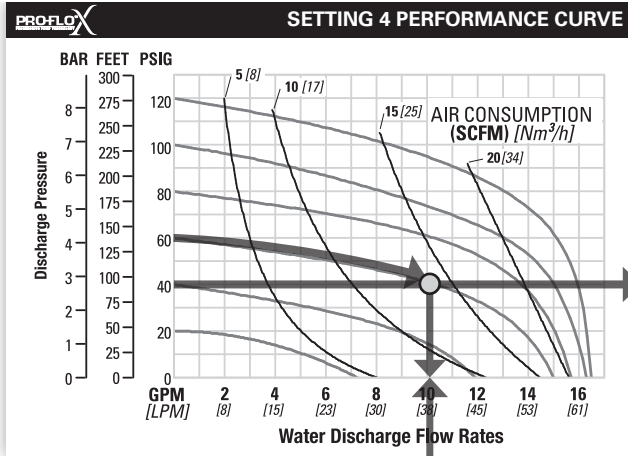


Figure 6

Example data point = **10.2** gpm

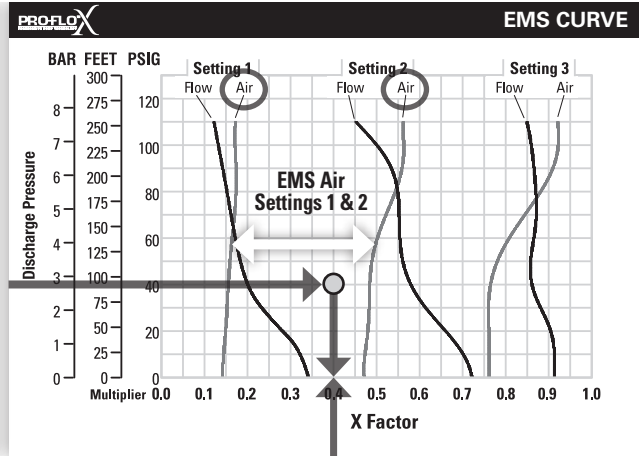


Figure 7

Example data point = **0.40** air multiplier

Determine air consumption at a specific EMS setting.

Step 1: Determine air X Factor. In order to determine the air X Factor, identify the two air EMS setting curves closest to the EMS setting established in example 2.1 (in this case, the point lies between the air curves for EMS setting 1 and 2). The point representing your EMS setting (1.8) must be approximated and plotted on the EMS curve along the horizontal line representing your discharge pressure (in this case, 40 psig). This air point is different than the flow point plotted in example 2.1. After estimating (or interpolating) this point on the curve, draw a vertical line downward until reaching the bottom scale on the chart and identify the air X Factor (Figure 7).

For this example the air X Factor is **0.40**.

Step 2: Determine air consumption. Multiply your setting 4 air consumption (14 scfm) value by the air X Factor obtained above (0.40) to determine your actual air consumption.

$$14 \text{ scfm} \times 0.40 = 5.6 \text{ SCFM}$$

In summary, for an application requiring 18.9 lpm (5 gpm) against 2.8 bar (40 psig) discharge pressure, the pump inlet air pressure should be set to 4.1 bar (60 psig) and the EMS dial should be set to 1.8. The pump would then consume 9.5 Nm³/h (5.6 scfm) of compressed air.

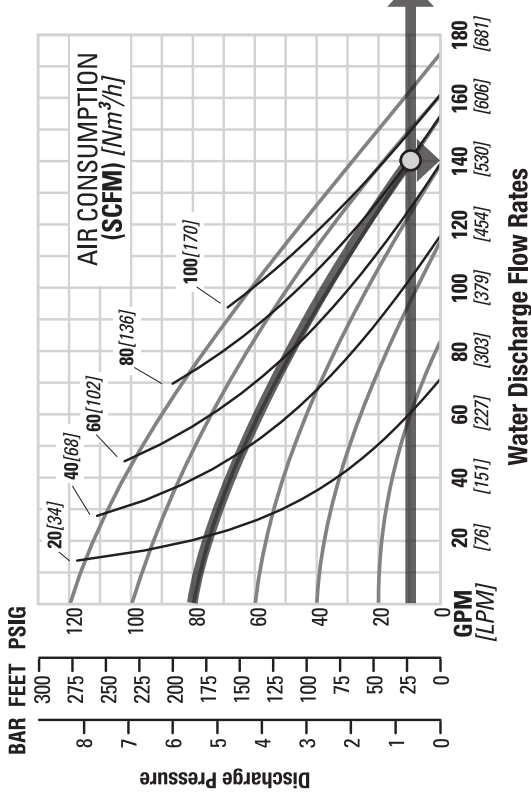
PX820/PX830 ALUMINUM RUBBER-FITTED



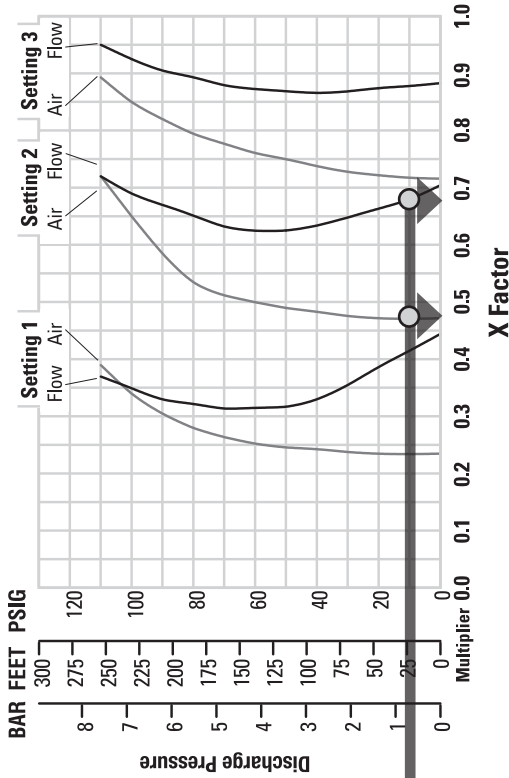
PERFORMANCE



SETTING 4 PERFORMANCE CURVE



EMS CURVE



TECHNICAL DATA

Ship Weight	820 Threaded 47 kg (104 lb)
	830 Flanged 54 kg (118 lb)
Air Inlet	19 mm (3/4")
Inlet	51 mm (2")
Outlet	51 mm (2")
Suction Lift	6.9 m Dry (22.7')
	8.7 m Wet (28.4')
Disp. Per Stroke ¹	2.8 L (0.74 gal)
Max. Flow Rate	658 lpm (174 gpm)
Max. Size Solids	6.4 mm (1/4")

¹Displacement per stroke was calculated at 4.8 bar (70 psig) air inlet pressure against a 2.1 bar (30 psig) head pressure.

The Efficiency Management System (EMS) can be used to optimize the performance of your Wilden pump for specific applications. The pump is delivered with the EMS adjusted to setting 4, which allows maximum flow.

The EMS curve allows the pump user to determine flow and air consumption at each EMS setting. For any EMS setting and discharge pressure, the X factor is used as a multiplier with the original values from the setting 4 performance curve to calculate the actual flow and air consumption values for that specific EMS setting. **NOTE:** You can interpolate between the setting curves for operation at intermediate EMS settings.

EXAMPLE

A PX820/PX830 metal rubber-fitted pump operating at EMS setting 4, achieved a flow rate of 530 lpm (140 gpm) using 133 Nm³/h (78 scfm) of air when run at 5.6 bar (80 psig) air inlet pressure and .7 bar (10 psig) discharge pressure (see dot on performance curve).

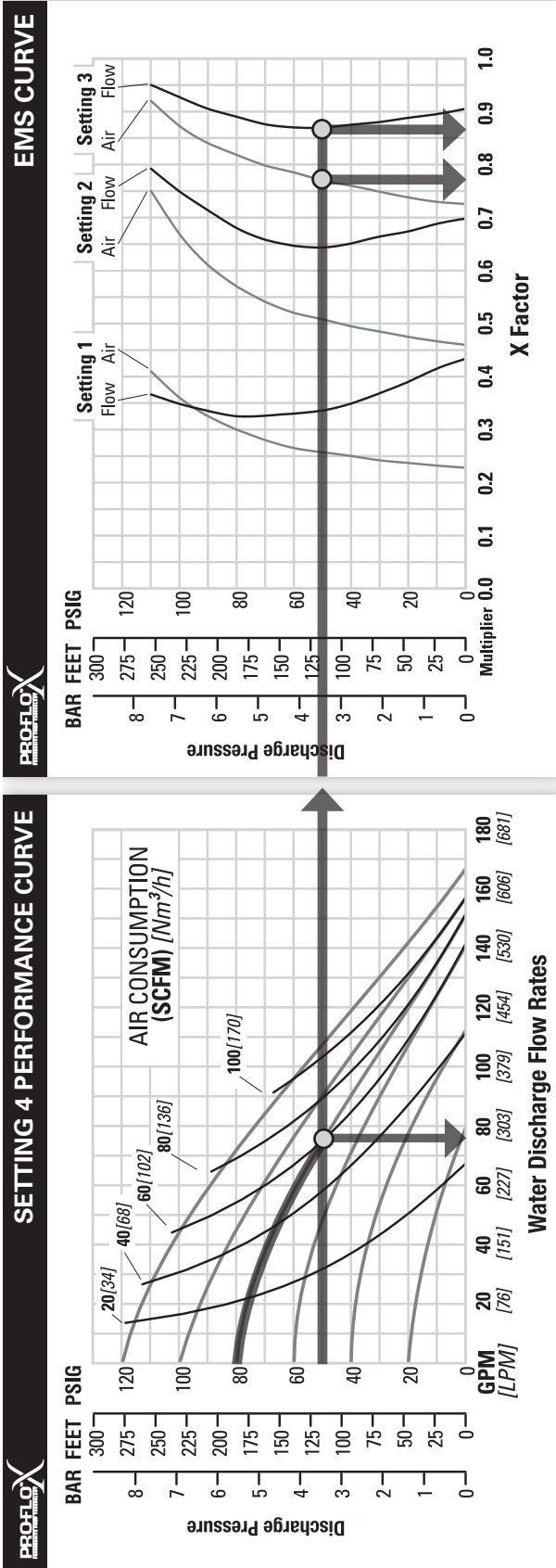
The end user did not require that much flow and wanted to reduce air consumption at his facility. He determined that EMS setting 2 would meet his needs. At 0.7 bar (10 psig) discharge pressure and EMS setting 2, the flow "X factor" is 0.67 and the air "X factor" is 0.47 (see dots on EMS curve).

Multiplying the original setting 4 values by the "X factors" provides the setting 2 flow rate of 356 lpm (94 gpm) and an air consumption of 63 Nm³/h (37 scfm). The flow rate was reduced by 33% while the air consumption was reduced by 53%, thus providing increased efficiency.

For a detailed example for how to set your EMS, see beginning of performance curve section.

Caution: Do not exceed 8.6 bar (125 psig) air supply pressure.

PX820/PX830 ALUMINUM EZ-INSTALL TPE-FITTED



PX820/PX830 Performance

TECHNICAL DATA

Ship Weight	820 Threaded 47 kg (104 lb)
	830 Flanged 54 kg (118 lb)
Air Inlet	19 mm (3/4")
Inlet	51 mm (2")
Outlet	51 mm (2")
Suction Lift	6.2 m Dry (20.4') 9.7 m Wet (31.8')
Disp. Per Stroke ¹	2.5 L (0.67 gal)
Max. Flow Rate	650 lpm (167 gpm)
Max. Size Solids	6.4 mm (1/4")

¹Displacement per stroke was calculated at 4.8 bar (70 psig) air inlet pressure against a 2.1 bar (30 psig) head pressure.

The Efficiency Management System (EMS) can be used to optimize the performance of your Wilden pump for specific applications. The pump is delivered with the EMS adjusted to setting 4, which allows maximum flow.

The EMS curve allows the pump user to determine flow and air consumption at each EMS setting. For any EMS setting and discharge pressure, the X factor is used as a multiplier with the original values from the setting 4 performance curve to calculate the actual flow and air consumption values for that specific EMS setting. **NOTE:** You can interpolate between the setting curves for operation at intermediate EMS settings. v

EXAMPLE

A PX820/PX830 metal EZ-Install Wil-Flex-fitted pump operating at EMS setting 4, achieved a flow rate of 288 lpm (76 gpm) using 99 Nm³/h (58 scfm) of air when run at 5.6 bar (80 psig) air inlet pressure and 3.5 bar (50 psig) discharge pressure (see dot on performance curve).

The end user did not require that much flow and wanted to reduce air consumption at his facility. He determined that EMS setting 3 would meet his needs. At 3.5 bar (50 psig) discharge pressure and EMS setting 3, the flow "X factor" is 0.87 and the air "X factor" is 0.77 (see dots on EMS curve).

Multiplying the original setting 4 values by the "X factors" provides the setting 3 flow rate of 250 lpm (66 gpm) and an air consumption of 76 Nm³/h (45 scfm). The flow rate was reduced by 13% while the air consumption was reduced by 22%, thus providing increased efficiency.

For a detailed example for how to set your EMS, see beginning of performance curve section.

Caution: Do not exceed 8.6 bar (125 psig) air supply pressure.

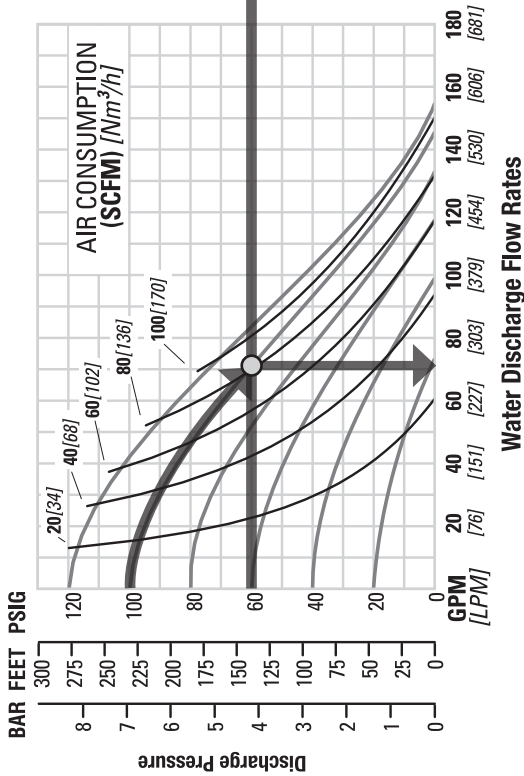
PX820/PX830 ALUMINUM REDUCED-STROKE PTFE-FITTED



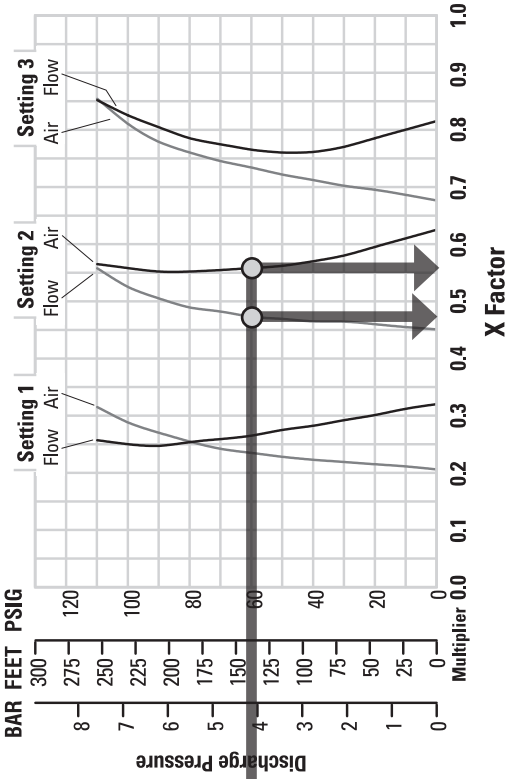
PERFORMANCE



SETTING 4 PERFORMANCE CURVE



EMS CURVE



TECHNICAL DATA

Ship Weight	820 Threaded 47 kg (104 lb)
	830 Flanged 64 kg (118 lb)
Air Inlet	19 mm (3/4")
Inlet	51 mm (2")
Outlet	51 mm (2")
Suction Lift	4.7 m Dry (15.4')
	9.0 m Wet (29.5')
Disp. Per Stroke ¹	1.7 L (0.45 gal)
Max. Flow Rate	583 lpm (154 gpm)
Max. Size Solids	6.4 mm (1/4")

¹Displacement per stroke was calculated at 4.8 bar (70 psig) air inlet pressure against a 2.1 bar (30 psig) head pressure.

The Efficiency Management System (EMS) can be used to optimize the performance of your Wilden pump for specific applications. The pump is delivered with the EMS adjusted to setting 4, which allows maximum flow.

The EMS curve allows the pump user to determine flow and air consumption at each EMS setting. For any EMS setting and discharge pressure, the "X factor" is used as a multiplier with the original values from the setting 4 performance curve to calculate the actual flow and air consumption values for that specific EMS setting. **NOTE:** You can interpolate between the setting curves for operation at intermediate EMS settings.

EXAMPLE

A PX820/PX830 metal reduced-stroke PTFE-fitted pump operating at EMS setting 4, achieved a flow rate of 265 lpm (70 gpm) using 136 Nm³/h (80 scfm) of air when run at 7 bar (100 psig) air inlet pressure and 4.2 bar (60 psig) discharge pressure (see dot on performance curve).

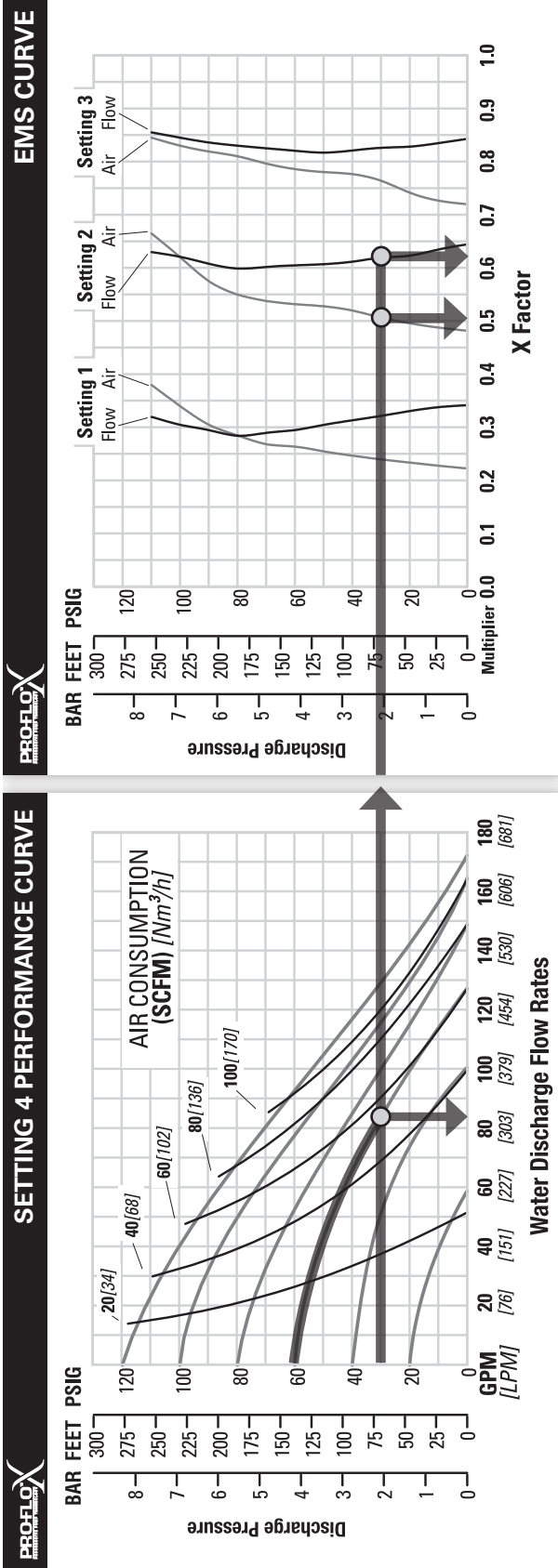
The end user did not require that much flow and wanted to reduce air consumption at his facility. He determined that EMS setting 2 would meet his needs. At 7 bar (10 psig) discharge pressure and EMS setting 2, the flow "X factor" is 0.55 and the air "X factor" is 0.46 (see dots on EMS curve).

Multiplying the original setting 4 values by the "X factors" provides the setting 2 flow rate of 144 lpm (38 gpm) and an air consumption of 65 Nm³/h (38 scfm). The flow rate was reduced by 45% while the air consumption was reduced by 54%, thus providing increased efficiency.

For a detailed example for how to set your EMS, see beginning of performance curve section.

Caution: Do not exceed 8.6 bar (125 psig) air supply pressure.

PX820/PX830 ALUMINUM FULL-STROKE PTFE-FITTED



TECHNICAL DATA

- Ship Weight 820 Threaded 47 kg (104 lb)
830 Flanged 54 kg (118 lb)
- Air Inlet 19 mm (3/4")
- Inlet 51 mm (2")
- Outlet 51 mm (2")
- Suction Lift 6.2 m Dry (20.4')
9.0 m Wet (29.5')
- Disp. Per Stroke¹ 2.4 L (0.65 gal)
- Max. Flow Rate 650 lpm (172 gpm)
- Max. Size Solids 6.4 mm (1/4")

¹Displacement per stroke was calculated at 4.8 bar (70 psig) air inlet pressure against a 2.1 bar (30 psig) head pressure.

The Efficiency Management System (EMS) can be used to optimize the performance of your Wilden pump for specific applications. The pump is delivered with the EMS adjusted to setting 4, which allows maximum flow.

The EMS curve allows the pump user to determine flow and air consumption at each EMS setting. For any EMS setting and discharge pressure, the "X factor" is used as a multiplier with the original values from the setting 4 performance curve to calculate the actual flow and air consumption values for that specific EMS setting. **NOTE:** You can interpolate between the setting curves for operation at intermediate EMS settings.

EXAMPLE

A PX820/PX830 metal full-stroke PTFE-fitted pump operating at EMS setting 4, achieved a flow rate of 310 lpm (82 gpm) using 85 Nm³/h (50 scfm) of air when run at 4.2 bar (60 psig) air inlet pressure and 2.1 bar (30 psig) discharge pressure (see dot on performance curve).

The end user did not require that much flow and wanted to reduce air consumption at his facility. He determined that EMS setting 2 would meet his needs. At 2.1 bar (30 psig) discharge pressure and EMS setting 2, the flow "X factor" is 0.62 and the air "X factor" is 0.51 (see dots on EMS curve).

Multiplying the original setting 4 values by the "X factors" provides the setting 2 flow rate of 192 lpm (51 gpm) and an air consumption of 44 Nm³/h (26 scfm). The flow rate was reduced by 37% while the air consumption was reduced by 49%, thus providing increased efficiency.

For a detailed example for how to set your EMS, see beginning of performance curve section.

Caution: Do not exceed 8.6 bar (125 psig) air supply pressure.

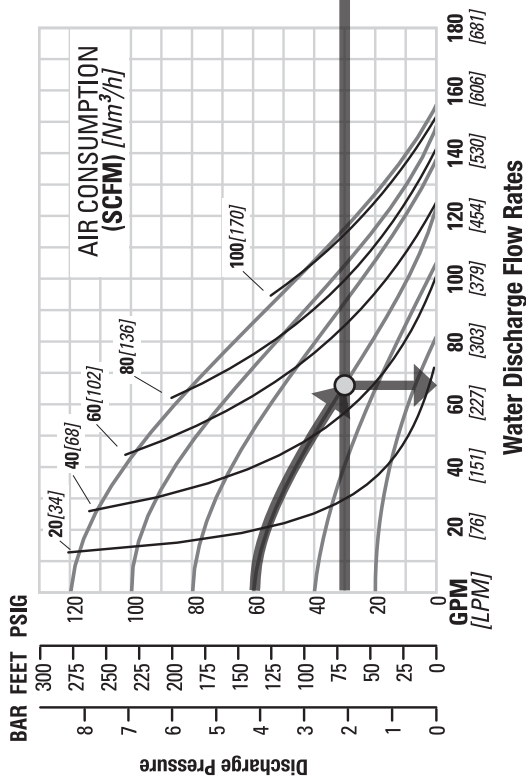
PX820/PX830 ALUMINUM ULTRA-FLEX™ FITTED



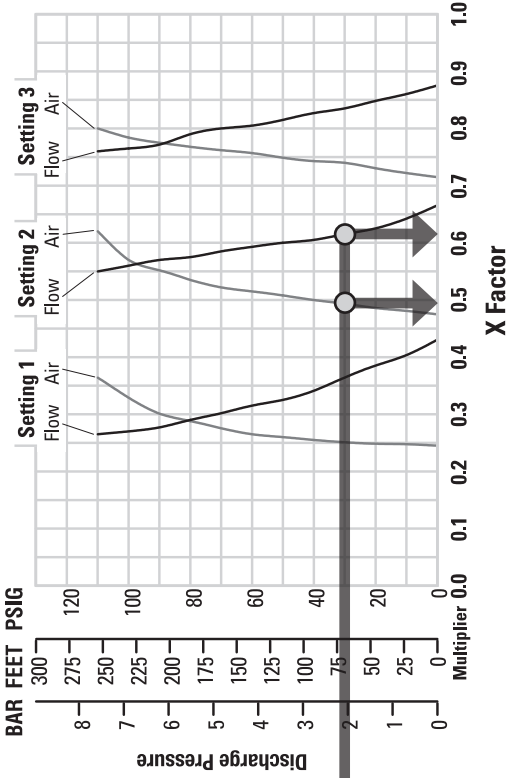
PERFORMANCE



SETTING 4 PERFORMANCE CURVE



EMS CURVE



TECHNICAL DATA

Ship Weight	820 Threaded 47 kg (104 lb)
	830 Flanged 54 kg (118 lb)
Air Inlet	19 mm (3/4")
Inlet	51 mm (2")
Outlet	51 mm (2")
Suction Lift	5.3 m Dry (17.3')
	8.7 m Wet (28.4')
Disp. Per Stroke ¹	1.9 L (0.50 gal)
Max. Flow Rate	587 lpm (155 gpm)
Max. Size Solids	6.4 mm (1/4")

¹Displacement per stroke was calculated at 4.8 bar (70 psig) air inlet pressure against a 2.1 bar (30 psig) head pressure.

The Efficiency Management System (EMS) can be used to optimize the performance of your Wilden pump for specific applications. The pump is delivered with the EMS adjusted to setting 4, which allows maximum flow.

The EMS curve allows the pump user to determine flow and air consumption at each EMS setting. For any EMS setting and discharge pressure, the "X factor" is used as a multiplier with the original values from the setting 4 performance curve to calculate the actual flow and air consumption values for that specific EMS setting. **NOTE:** You can interpolate between the setting curves for operation at intermediate EMS settings.

EXAMPLE

A PX820/PX830 metal Ultra-Flex-fitted pump operating at EMS setting 4, achieved a flow rate of 246 lpm (65 gpm) using 80 Nm³/h (47 scfm) of air when run at 4.2 bar (60 psig) air inlet pressure and 2.1 bar (30 psig) discharge pressure (see dot on performance curve).

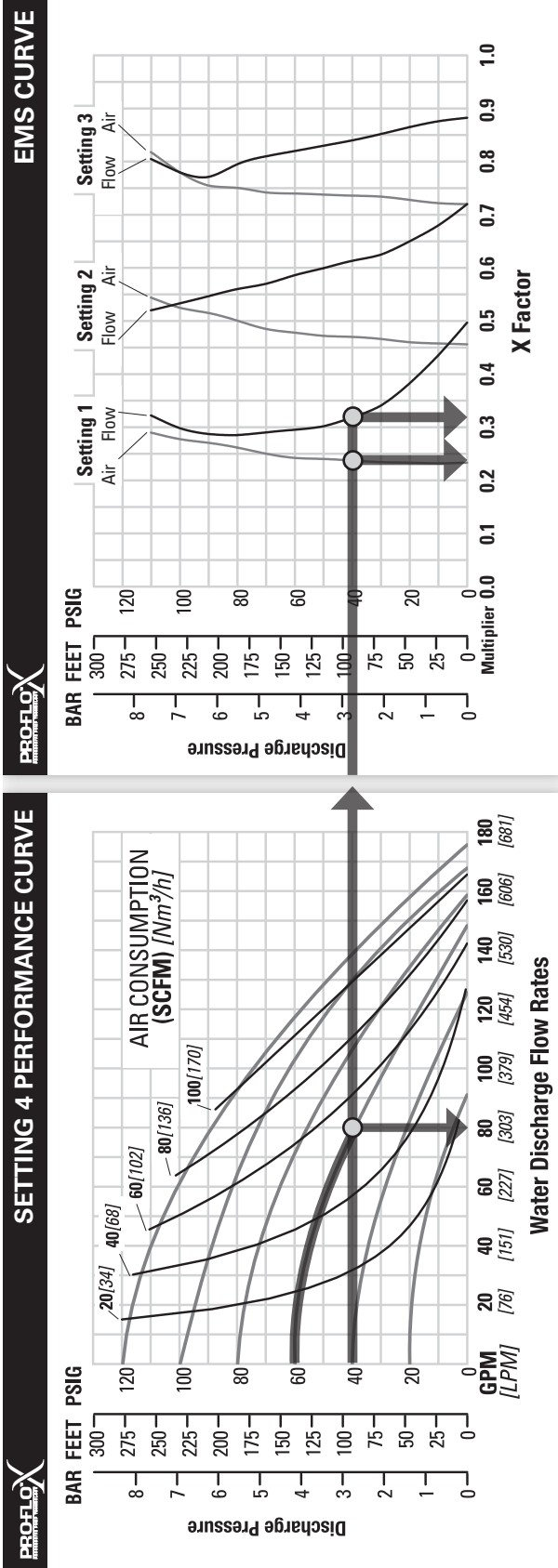
The end user did not require that much flow and wanted to reduce air consumption at his facility. He determined that EMS setting 2 would meet his needs. At 2.1 bar (30 psig) discharge pressure and EMS setting 2, the flow "X factor" is 0.61 and the air "X factor" is 0.50 (see dots on EMS curve).

Multiplying the original setting 4 values by the "X factors" provides the setting 2 flow rate of 151 lpm (40 gpm) and an air consumption of 41 Nm³/h (24 scfm). The flow rate was reduced by 39% while the air consumption was reduced by 50%, thus providing increased efficiency.

For a detailed example for how to set your EMS, see beginning of performance curve section.

Caution: Do not exceed 8.6 bar (125 psig) air supply pressure.

PX820/PX830 STAINLESS STEEL FULL-STROKE RUBBER-FITTED



TECHNICAL DATA

Ship Weight	820 Threaded 73 kg (161 lb)
	830 Flanged 81 kg (178 lb)
Air Inlet	19 mm (3/4")
Inlet	51 mm (2")
Outlet	51 mm (2")
Suction Lift	6.6 Dry (21.8') 9.0 m Wet (29.5')
Disp. Per Stroke ¹	2.7 L (0.72 gal)
Max. Flow Rate	665 lpm (175.8 gpm)
Max. Size Solids	6.4 mm (1/4")

¹Displacement per stroke was calculated at 4.8 bar (70 psig) air inlet pressure against a 2.1 bar (30 psig) head pressure.

The Efficiency Management System (EMS) can be used to optimize the performance of your Wilden pump for specific applications. The pump is delivered with the EMS adjusted to setting 4, which allows maximum flow.

The EMS curve allows the pump user to determine flow and air consumption at each EMS setting. For any EMS setting and discharge pressure, the "X factor" is used as a multiplier with the original values from the setting 4 performance curve to calculate the actual flow and air consumption values for that specific EMS setting. **NOTE:** You can interpolate between the setting curves for operation at intermediate EMS settings.

EXAMPLE

A PX820/PX830 metal rubber-fitted pump operating at EMS setting 4, achieved a flow rate of 303 lpm (80 gpm) using 87 Nm³/h (51 scfm) of air when run at 4.1 bar (60 psig) air inlet pressure and 2.6 bar (38 psig) discharge pressure (See dot on performance curve).

The end user did not require that much flow and wanted to reduce air consumption at his facility. He determined that EMS setting 1 would meet his needs. At 2.6 bar (38 psig) discharge pressure and EMS setting 1, the flow "X factor" is 0.32 and the air "X factor" is 0.24 (see dots on EMS curve).

Multiplying the original setting 4 values by the "X factors" provides the setting 1 flow rate of 97 lpm (26 gpm) and an air consumption of 21 Nm³/h (12 scfm). The flow rate was reduced by 68% while the air consumption was reduced by 76%, thus providing increased efficiency.

For a detailed example for how to set your EMS, see beginning of performance curve section.

Caution: Do not exceed 8.6 bar (125 psig) air supply pressure.

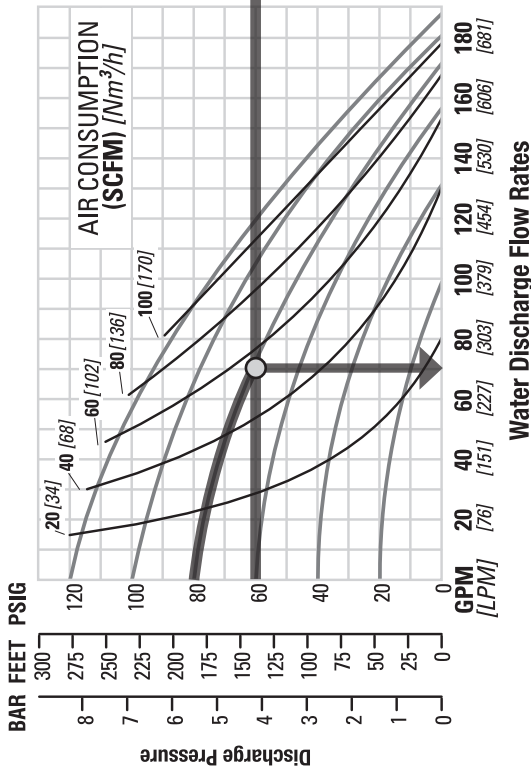
PX820/PX830 STAINLESS STEEL FULL-STROKE TPE-FITTED



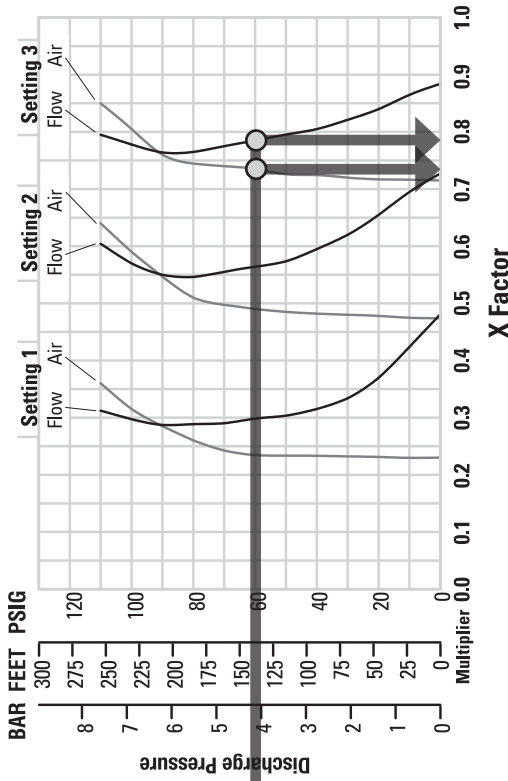
PERFORMANCE



SETTING 4 PERFORMANCE CURVE



EMS CURVE



TECHNICAL DATA

Ship Weight	820 Threaded 73 kg (161 lb)
	830 Flanged 81 kg (178 lb)
Air Inlet	19 mm (3/4")
Inlet	51 mm (2")
Outlet	51 mm (2")
Suction Lift	6.4 Dry (21.0')
	9.0 m Wet (29.5')
Disp. Per Stroke ¹	2.8 L (0.74 gal)
Max. Flow Rate	712 lpm (188.0 gpm)
Max. Size Solids	6.4 mm (1/4")

¹Displacement per stroke was calculated at 4.8 bar (70 psig) air inlet pressure against a 2.1 bar (30 psig) head pressure.

The Efficiency Management System (EMS) can be used to optimize the performance of your Wilden pump for specific applications. The pump is delivered with the EMS adjusted to setting 4, which allows maximum flow.

The EMS curve allows the pump user to determine flow and air consumption at each EMS setting. For any EMS setting and discharge pressure, the "X factor" is used as a multiplier with the original values from the setting 4 performance curve to calculate the actual flow and air consumption values for that specific EMS setting. **NOTE:** You can interpolate between the setting curves for operation at intermediate EMS settings.

EXAMPLE

A PX820/PX830 metal TPE-fitted pump operating at EMS setting 4, achieved a flow rate of 265 lpm (70 gpm) using 99 Nm³/h (58 scfm) of air when run at 5.5 bar (80 psig) air inlet pressure and 4.1 bar (60 psig) discharge pressure (See dot on performance curve).

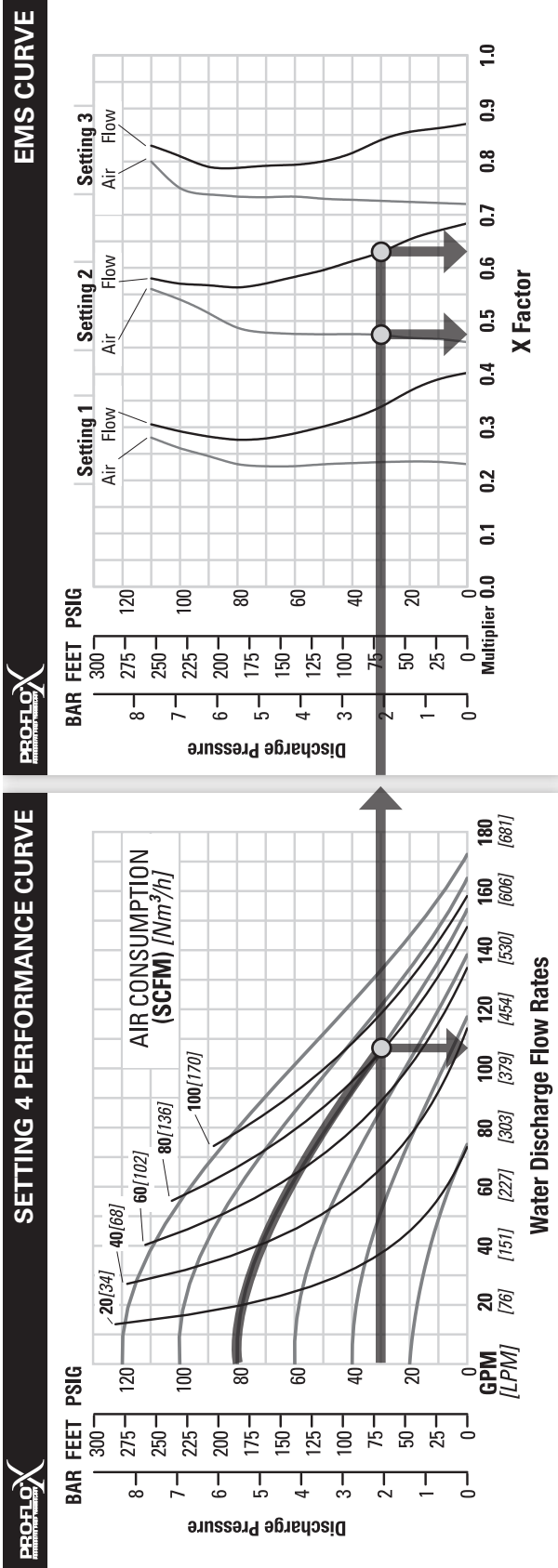
The end user did not require that much flow and wanted to reduce air consumption at his facility. He determined that EMS setting 3 would meet his needs. At 4.1 bar (60 psig) discharge pressure and EMS setting 3, the flow "X factor" is 0.79 and the air "X factor" is 0.74 (see dots on EMS curve).

Multiplying the original setting 4 values by the "X factors" provides the setting 3 flow rate of 209 lpm (55 gpm) and an air consumption of 73 Nm³/h (43 scfm). The flow rate was reduced by 21% while the air consumption was reduced by 26%, thus providing increased efficiency.

For a detailed example for how to set your EMS, see beginning of performance curve section.

Caution: Do not exceed 8.6 bar (125 psig) air supply pressure.

PX820/PX830 STAINLESS STEEL FULL-STROKE PTFE-FITTED



TECHNICAL DATA

Ship Weight	820 Threaded 73 kg (161 lb)
	830 Flanged 81 kg (178 lb)
Air Inlet	19 mm (3/4")
Inlet	51 mm (2")
Outlet	51 mm (2")
Suction Lift	6.6m Dry (21.6')
	8.6 m Wet (28.4')
Disp. Per Stroke ¹	2.4 L (0.63 gal)
Max. Flow Rate	653 lpm (172.4 gpm)
Max. Size Solids	6.4 mm (1/4")

¹Displacement per stroke was calculated at 4.8 bar (70 psig) air inlet pressure against a 2.1 bar (30 psig) head pressure.

The Efficiency Management System (EMS) can be used to optimize the performance of your Wilden pump for specific applications. The pump is delivered with the EMS adjusted to setting 4, which allows maximum flow.

The EMS curve allows the pump user to determine flow and air consumption at each EMS setting. For any EMS setting and discharge pressure, the "X factor" is used as a multiplier with the original values from the setting 4 performance curve to calculate the actual flow and air consumption values for that specific EMS setting. **NOTE:** You can interpolate between the setting curves for operation at intermediate EMS settings.

EXAMPLE

A PX820/PX830 metal full-stroke PTFE-fitted pump operating at EMS setting 4, achieved a flow rate of 397 lpm (105 gpm) using 136 Nm³/h (80 scfm) of air when run at 5.5 bar (80 psig) air inlet pressure and 2.1 bar (30 psig) discharge pressure (See dot on performance curve).

The end user did not require that much flow and wanted to reduce air consumption at his facility. He determined that EMS setting 2 would meet his needs. At 2.1 bar (30 psig) discharge pressure and EMS setting 2, the flow "X factor" is 0.63 and the air "X factor" is 0.47 (see dots on EMS curve).

Multiplying the original setting 4 values by the "X factors" provides the setting 2 flow rate of 250 lpm (66 gpm) and an air consumption of 64 Nm³/h (38 scfm). The flow rate was reduced by 37% while the air consumption was reduced by 53%, thus providing increased efficiency.

For a detailed example for how to set your EMS, see beginning of performance curve section.

Caution: Do not exceed 8.6 bar (125 psig) air supply pressure.

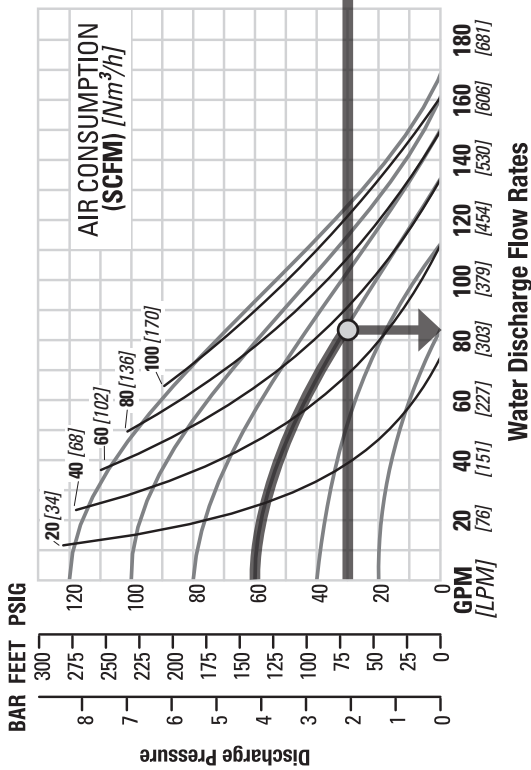
PX820/PX830 STAINLESS STEEL ULTRA-FLEX™ -FITTED



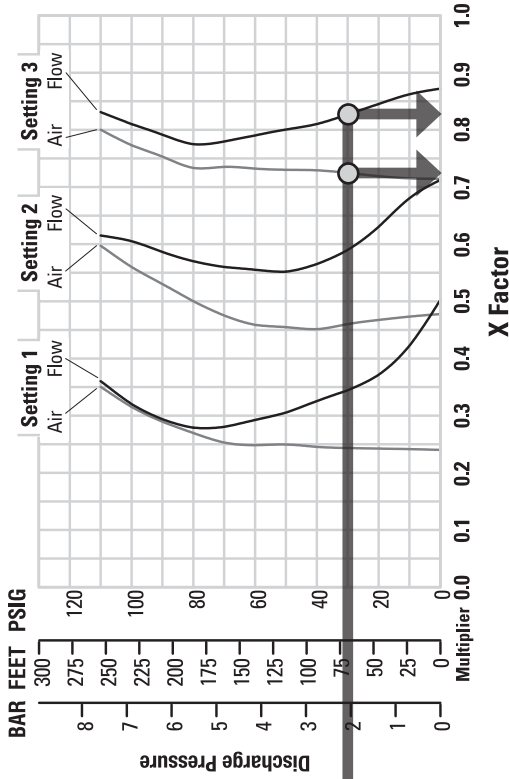
PERFORMANCE



SETTING 4 PERFORMANCE CURVE



EMS CURVE



TECHNICAL DATA

Ship Weight	820 Threaded 73 kg (161 lb)
	830 Flanged 81 kg (178 lb)
Air Inlet	19 mm (3/4")
Inlet	51 mm (2")
Outlet	51 mm (2")
Suction Lift	5.4 Dry (17.6') 9.0 m Wet (29.5')
Disp. Per Stroke ¹	2.0 L (0.54 gal)
Max. Flow Rate	637 lpm (168.3 gpm)
Max. Size Solids	6.4 mm (1/4")

¹Displacement per stroke was calculated at 4.8 bar (70 psig) air inlet pressure against a 2 bar (30 psig) head pressure.

The Efficiency Management System (EMS) can be used to optimize the performance of your Wilden pump for specific applications. The pump is delivered with the EMS adjusted to setting 4, which allows maximum flow.

The EMS curve allows the pump user to determine flow and air consumption at each EMS setting. For any EMS setting and discharge pressure, the "X factor" is used as a multiplier with the original values from the setting 4 performance curve to calculate the actual flow and air consumption values for that specific EMS setting. **NOTE:** You can interpolate between the setting curves for operation at intermediate EMS settings.

EXAMPLE

A PX820/PX830 metal Ultra-Flex™ fitted pump operating at EMS setting 4, achieved a flow rate of 310 lpm (82 gpm) using 92 Nm³/h (54 scfm) of air when run at 4.1 bar (60 psig) air inlet pressure and 2.1 bar (30 psig) discharge pressure (See dot on performance curve).

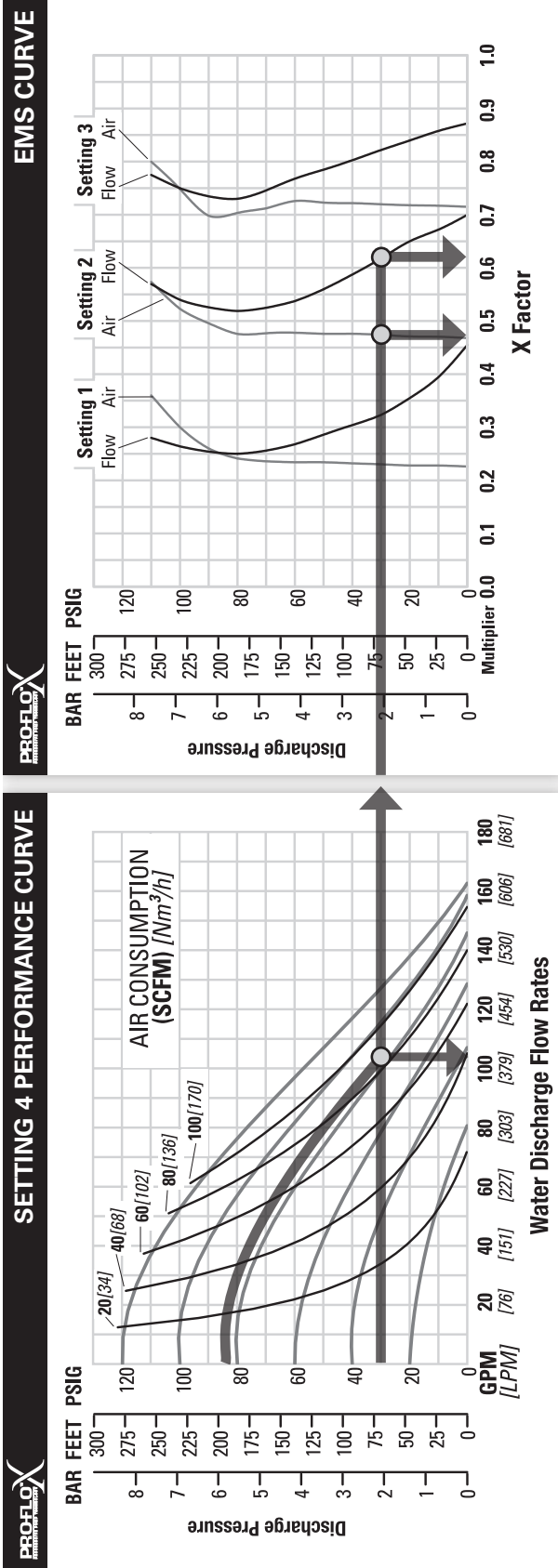
The end user did not require that much flow and wanted to reduce air consumption at his facility. He determined that EMS setting 3 would meet his needs. At 2.1 bar (30 psig) discharge pressure and EMS setting 3, the flow "X factor" is 0.83 and the air "X factor" is 0.72 (see dots on EMS curve).

Multiplying the original setting 4 values by the "X factors" provides the setting 3 flow rate of 258 lpm (68 gpm) and an air consumption of 66 Nm³/h (39 scfm). The flow rate was reduced by 17% while the air consumption was reduced by 28%, thus providing increased efficiency.

For a detailed example for how to set your EMS, see beginning of performance curve section.

Caution: Do not exceed 8.6 bar (125 psig) air supply pressure.

PX820/PX830 STAINLESS STEEL REDUCED-STROKE PTFE-FITTED



TECHNICAL DATA

Ship Weight	820 Threaded 73 kg (161 lb)
	830 Flanged 81 kg (178 lb)
Air Inlet	19 mm (3/4")
Inlet	51 mm (2")
Outlet	51 mm (2")
Suction Lift	4.3 Dry (14.0') 7.9 m Wet (26.0')
Disp. Per Stroke ¹	1.9 L (0.50 gal)
Max. Flow Rate	615 lpm (162.5 gpm)
Max. Size Solids	6.4 mm (1/4")

¹Displacement per stroke was calculated at 4.8 bar (70 psig) air inlet pressure against a 2.1 bar (30 psig) head pressure.

The Efficiency Management System (EMS) can be used to optimize the performance of your Wilden pump for specific applications. The pump is delivered with the EMS adjusted to setting 4, which allows maximum flow.

The EMS curve allows the pump user to determine flow and air consumption at each EMS setting. For any EMS setting and discharge pressure, the "X factor" is used as a multiplier with the original values from the setting 4 performance curve to calculate the actual flow and air consumption values for that specific EMS setting. **NOTE:** You can interpolate between the setting curves for operation at intermediate EMS settings.

EXAMPLE

A PX820/PX830 metal reduced-stroke PTFE-fitted pump operating at EMS setting 4, achieved a flow rate of 386 lpm (102 gpm) using 143 Nm³/h (84 scfm) of air when run at 5.8 bar (84 psig) air inlet pressure and 2.1 bar (30 psig) discharge pressure (See dot on performance curve).

The end user did not require that much flow and wanted to reduce air consumption at his facility. He determined that EMS setting 2 would meet his needs. At 2.1 bar (30 psig) discharge pressure and EMS setting 2, the flow "X factor" is 0.62 and the air "X factor" is 0.48 (see dots on EMS curve).

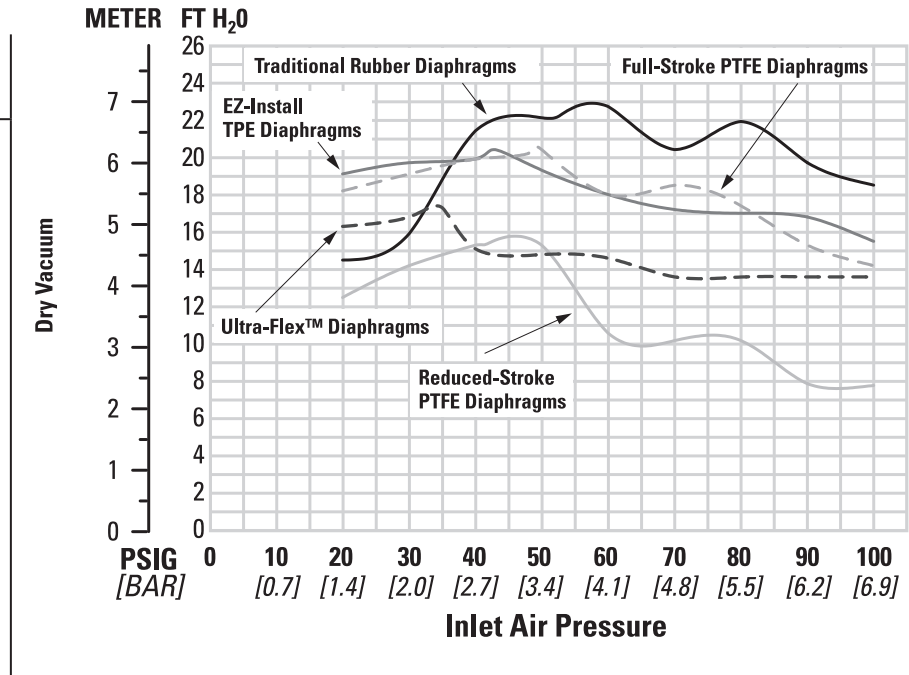
Multiplying the original setting 4 values by the "X factors" provides the setting 2 flow rate of 239 lpm (63 gpm) and an air consumption of 69 Nm³/h (40 scfm). The flow rate was reduced by 38% while the air consumption was reduced by 52%, thus providing increased efficiency.

For a detailed example for how to set your EMS, see beginning of performance curve section.

Caution: Do not exceed 8.6 bar (125 psig) air supply pressure.

SUCTION-LIFT CURVES

**PX820/PX830 ALUMINUM
SUCTION-LIFT CAPABILITY**

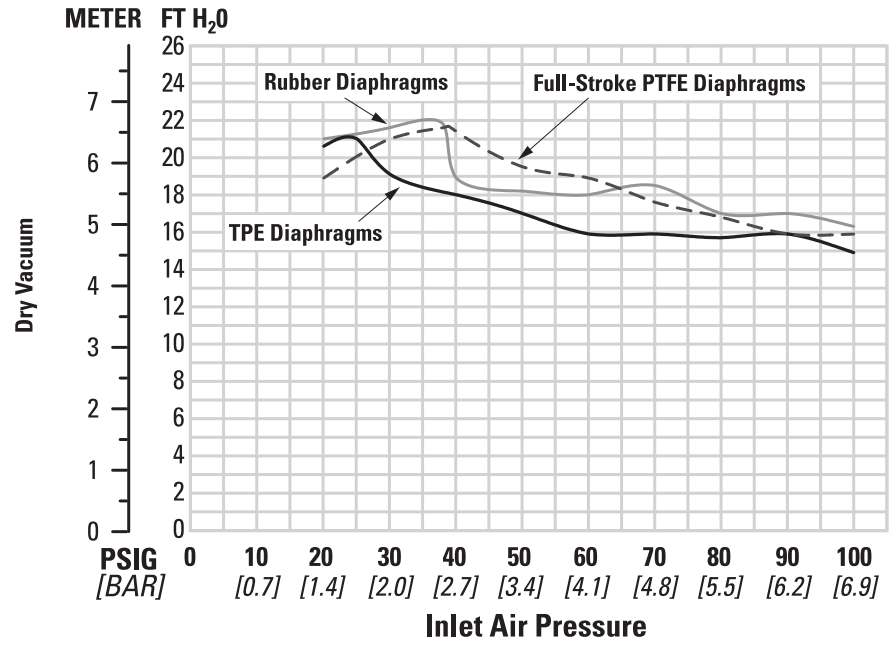


Suction-lift curves are calibrated for pumps operating at 305 m (1,000') above sea level. This chart is meant to be a guide only. There are many variables which can affect your pump's operating characteristics.

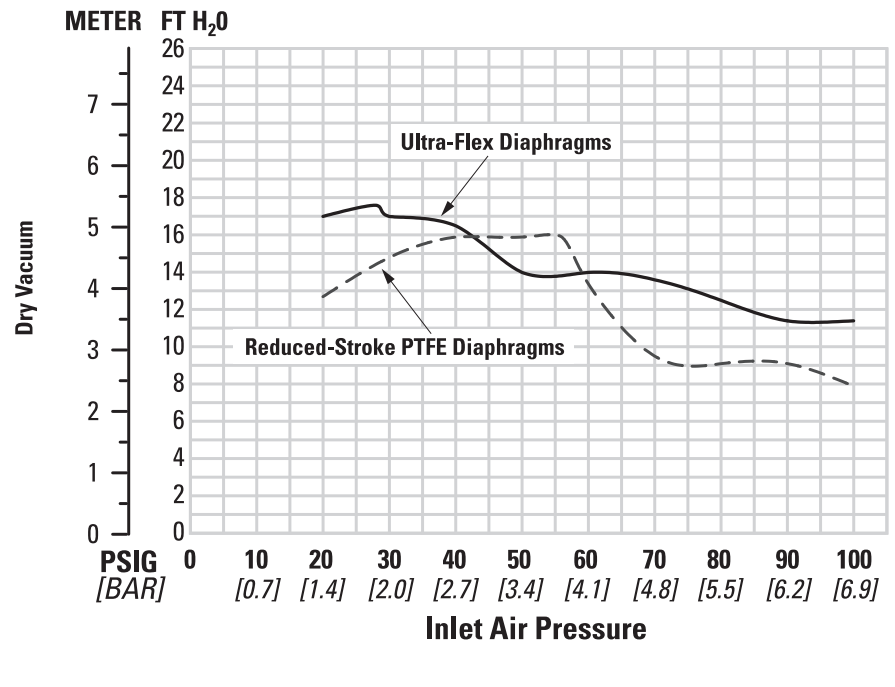
The number of intake and discharge elbows, viscosity of pumping fluid, elevation (atmospheric pressure) and pipe friction loss all affect the amount of suction lift your pump will attain.

SUCTION-LIFT CURVES

**PX820/PX830
STAINLESS STEEL
FULL-STROKE
SUCTION-LIFT CAPABILITY**



**PX820/PX830
STAINLESS STEEL
REDUCED-STROKE
SUCTION-LIFT CAPABILITY**



Suction-lift curves are calibrated for pumps operating at 305 m (1,000') above sea level. This chart is meant to be a guide only. There are many variables which can affect your pump's operating characteristics.

The number of intake and discharge elbows, viscosity of pumping fluid, elevation (atmospheric pressure) and pipe friction loss all affect the amount of suction lift your pump will attain.



SUGGESTED INSTALLATION

Wilden pumps are designed to meet the performance requirements of even the most demanding pumping applications. They have been designed and manufactured to the highest standards and are available in a variety of liquid path materials to meet your chemical resistance needs. Refer to the performance section of this manual for an in-depth analysis of the performance characteristics of your pump. Wilden offers the widest variety of elastomer options in the industry to satisfy temperature, chemical compatibility, abrasion resistance and flex concerns.

The suction pipe size should be at least the equivalent or larger than the diameter size of the suction inlet on your Wilden pump. The suction hose must be non-collapsible, reinforced type as these pumps are capable of pulling a high vacuum. Discharge piping should also be the equivalent or larger than the diameter of the pump discharge which will help reduce friction losses. It is critical that all fittings and connections are airtight or a reduction or loss of pump suction capability will result.

INSTALLATION: Months of careful planning, study and selection efforts can result in unsatisfactory pump performance if installation details are left to chance.

Premature failure and long-term dissatisfaction can be avoided if reasonable care is exercised throughout the installation process.

LOCATION: Noise, safety and other logistical factors usually dictate where equipment will be situated on the production floor. Multiple installations with conflicting requirements can result in congestion of utility areas, leaving few choices for additional pumps.

Within the framework of these and other existing conditions, every pump should be located in such a way that the following key factors are balanced against each other to maximum advantage.

ACCESS: First of all, the location should be accessible. If it's easy to reach the pump, maintenance personnel will have an easier time carrying out routine inspections and adjustments. Should major repairs become necessary, ease of access can play a key role in speeding the repair process and reducing total downtime.

AIR SUPPLY: Every pump location should have an air line large enough to supply the volume of air necessary to achieve the desired pumping rate. Use air pressure up to a maximum of 8.6 bar (125 psig) depending on pumping requirements.

For best results, the pumps should use a 5 μ (micron) air filter, needle valve and regulator. The use of an air filter before the pump will ensure that the majority of any pipeline contaminants will be eliminated.

SOLENOID OPERATION: When operation is controlled by a solenoid valve in the air line, three-way valves should be used. This valve allows trapped air between the valve and the pump to bleed off which improves pump performance. Pumping volume can be estimated by counting the number of strokes per minute and then multiplying the figure by the displacement per stroke.

MUFFLER: Sound levels are reduced below OSHA specifications using the standard Wilden muffler. Other mufflers can be used to further reduce sound levels, but they usually reduce pump performance.

ELEVATION: Selecting a site that is well within the pump's dynamic lift capability will assure that loss-of-prime issues will be eliminated. In addition, pump efficiency can be adversely affected if proper attention is not given to site location.

PIPING: Final determination of the pump site should not be made until the piping challenges of each possible location have been evaluated. The impact of current and future installations should be considered ahead of time to make sure that inadvertent restrictions are not created for any remaining sites.

The best choice possible will be a site involving the shortest and straightest hook-up of suction and discharge piping. Unnecessary elbows, bends and fittings should be avoided. Pipe sizes should be selected to keep friction losses within practical limits. All piping should be supported independently of the pump. In addition, the piping should be aligned to avoid placing stress on the pump fittings.

Flexible hose can be installed to aid in absorbing the forces created by the natural reciprocating action of the pump. If the pump is to be bolted down to a solid location, a mounting pad placed between the pump and the foundation will assist in minimizing pump vibration. Flexible connections between the pump and rigid piping will also assist in minimizing pump vibration. If quick-closing valves are installed at any point in the discharge system, or if pulsation within a system becomes a problem, a surge suppressor (SD Equalizer®) should be installed to protect the pump, piping and gauges from surges and water hammer.

If the pump is to be used in a self-priming application, make sure that all connections are airtight and that the suction lift is within the model's ability. **NOTE:** Materials of construction and elastomer material have an effect on suction-lift parameters. Please refer to the performance section for specifics.

When pumps are installed in applications involving flooded suction or suction head pressures, a gate valve should be installed in the suction line to permit closing of the line for pump service.

Pumps in service with a positive suction head are most efficient when inlet pressure is limited to 0.5–0.7 bar (7–10 psig). Premature diaphragm failure may occur if positive suction is 0.7 bar (10 psig) and higher.

SUBMERSIBLE APPLICATIONS: Pro-FloX™ pumps can be used for submersible applications, when using the Pro-Flo X™ single-point exhaust option. Turbo-Flo™ pumps are also available in a single-point exhaust (submersible) configuration.

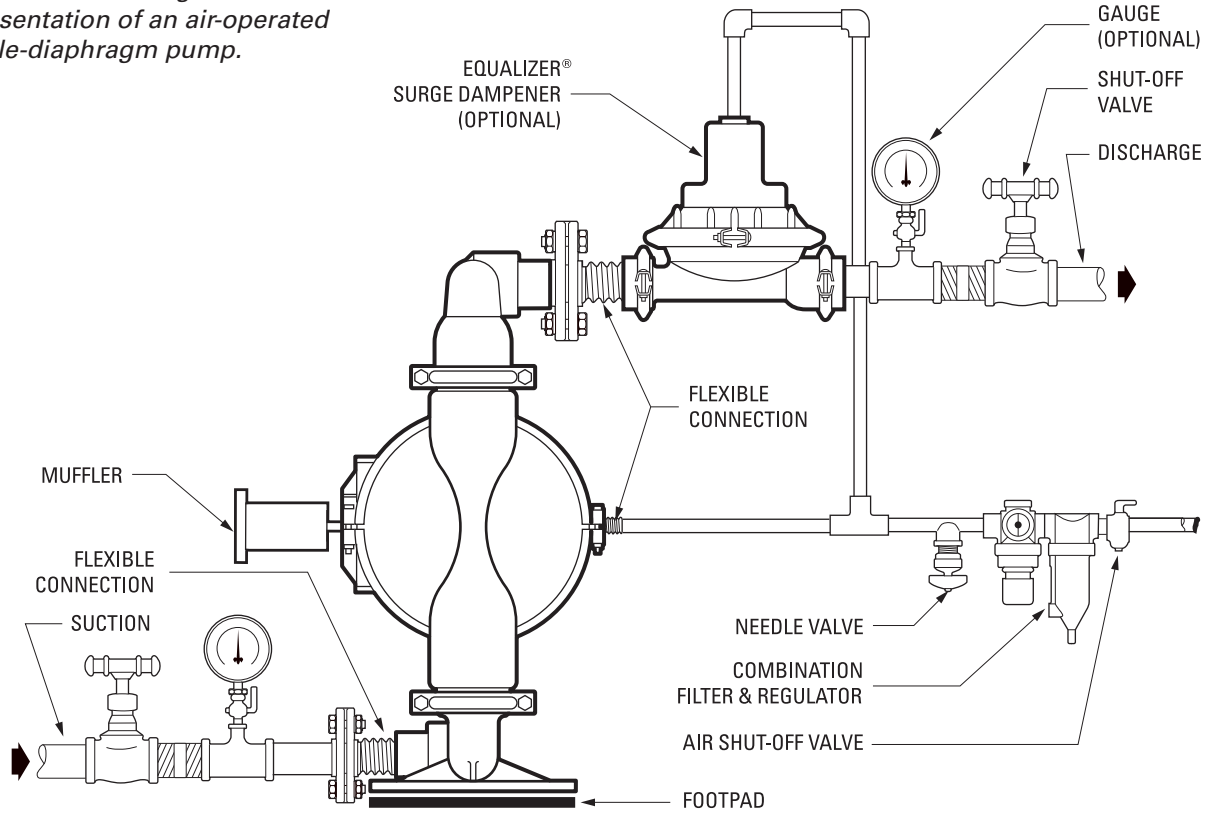
NOTE: Pro-Flo® and Accu-Flo™ pumps do not have a single-point exhaust option and are not submersible.

ALL WILDEN PUMPS ARE CAPABLE OF PASSING SOLIDS. A STRAINER SHOULD BE USED ON THE PUMP INTAKE TO ENSURE THAT THE PUMP'S RATED SOLIDS CAPACITY IS NOT EXCEEDED.

CAUTION: DO NOT EXCEED 8.6 BAR (125 PSIG) AIR SUPPLY PRESSURE.

SUGGESTED INSTALLATION

This illustration is a generic representation of an air-operated double-diaphragm pump.



NOTE: In the event of a power failure, the shut-off valve should be closed, if the restarting of the pump is not desirable once power is regained.

AIR-OPERATED PUMPS: To stop the pump from operating in an emergency situation, simply close the shut-off valve (user-supplied) installed in the air supply line. A properly functioning valve will stop the air supply to the pump, therefore stopping output. This shut-off valve should be located far enough away from the pumping equipment such that it can be reached safely in an emergency situation.

SUGGESTED OPERATION & MAINTENANCE

OPERATION: The PX820/PX830 is pre-lubricated and do not require in-line lubrication. Additional lubrication will not damage the pump; however, if the pump is heavily lubricated by an external source, the pump's internal lubrication may be washed away. If the pump is then moved to a non-lubricated location, it may need to be disassembled and re-lubricated as described in the DISASSEMBLY/REASSEMBLY INSTRUCTIONS.

Pump discharge rate can be controlled by limiting the volume and/or pressure of the air supply to the pump. An air regulator is used to regulate air pressure. A needle valve is used to regulate volume. Pump discharge rate can also be controlled by throttling the pump discharge by partially closing a valve in the discharge line of the pump. This action increases friction loss which reduces flow rate. (See Section 5.) This is useful when the need exists to control the pump from a remote location. When the pump discharge pressure equals or exceeds the air supply pressure, the pump will stop; no bypass or pressure relief valve is needed, and pump damage will not occur. The pump has reached a "deadhead" situation and can be

restarted by reducing the fluid discharge pressure or increasing the air inlet pressure. The Wilden PX820/PX830 pumps run solely on compressed air and do not generate heat, therefore your process fluid temperature will not be affected.

MAINTENANCE AND INSPECTIONS: Since each application is unique, maintenance schedules may be different for every pump. Frequency of use, line pressure, viscosity and abrasiveness of process fluid all affect the parts life of a Wilden pump. Periodic inspections have been found to offer the best means for preventing unscheduled pump downtime. Personnel familiar with the pump's construction and service should be informed of any abnormalities that are detected during operation.

RECORDS: When service is required, a record should be made of all necessary repairs and replacements. Over a period of time, such records can become a valuable tool for predicting and preventing future maintenance problems and unscheduled downtime. In addition, accurate records make it possible to identify pumps that are poorly suited to their applications.

TROUBLESHOOTING

Pump will not run or runs slowly.

1. Ensure that the air inlet pressure is at least 0.4 bar (5 psig) above startup pressure and that the differential pressure (the difference between air inlet and liquid discharge pressures) is not less than 0.7 bar (10 psig).
2. Check air inlet filter for debris (see SUGGESTED INSTALLATION).
3. Check for extreme air leakage (blow by) which would indicate worn seals/bores in the air valve, pilot spool and main shaft.
4. Disassemble pump and check for obstructions in the air passageways or objects which would obstruct the movement of internal parts.
5. Check for sticking ball check valves. If material being pumped is not compatible with pump elastomers, swelling may occur. Replace ball check valves and seals with proper elastomers. Also, as the check valve balls wear out, they become smaller and can become stuck in the seats. In this case, replace balls and seats.
6. Check for broken inner piston which will cause the air valve spool to be unable to shift.
7. Remove plug from pilot spool exhaust.

Pump runs but little or no product flows.

1. Check for pump cavitation; slow pump speed down to allow thick material to flow into liquid chambers.

2. Verify that vacuum required to lift liquid is not greater than the vapor pressure of the material being pumped (cavitation).
3. Check for sticking ball check valves. If material being pumped is not compatible with pump elastomers, swelling may occur. Replace ball check valves and seats with proper elastomers. Also, as the check valve balls wear out, they become smaller and can become stuck in the seats. In this case, replace balls and seats.

Pump air valve freezes.

1. Check for excessive moisture in compressed air. Either install a dryer or hot air generator for compressed air. Alternatively, a coalescing filter may be used to remove the water from the compressed air in some applications.

Air bubbles in pump discharge.

1. Check for ruptured diaphragm.
2. Check tightness of outer pistons (refer to Section 7).
3. Check tightness of fasteners and integrity of O-rings and seals, especially at intake manifold.
4. Ensure pipe connections are airtight.

Product comes out air exhaust.

1. Check for diaphragm rupture.
2. Check tightness of outer pistons to shaft.



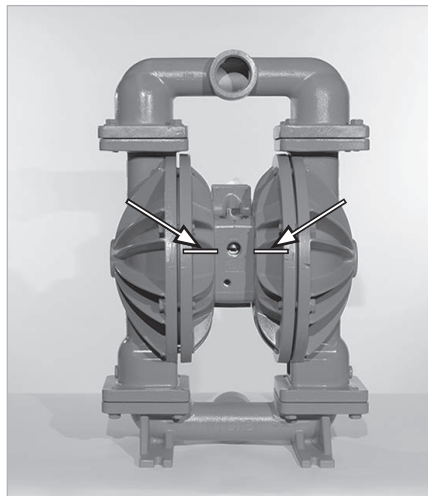
PUMP DISASSEMBLY

Tools Required:

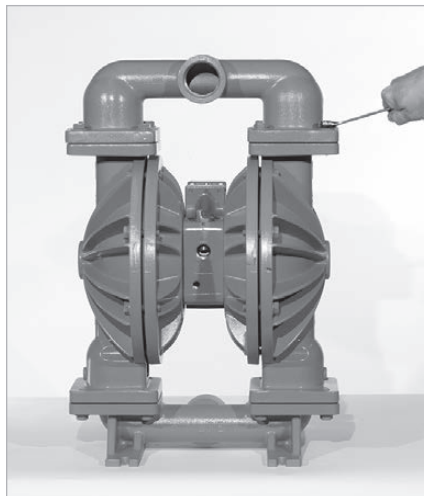
- Appropriate-sized Wrench
- Adjustable Wrench
- Vise equipped w/ soft jaws (such as plywood, plastic or other suitable material)

CAUTION: Before any maintenance or repair is attempted, the compressed air line to the pump should be disconnected and all air pressure allowed to bleed from the pump. Disconnect all intake, discharge and air lines. Drain the pump by turning it upside down and allowing any fluid to flow into a suitable container. Be aware of any hazardous effects of contact with your process fluid.

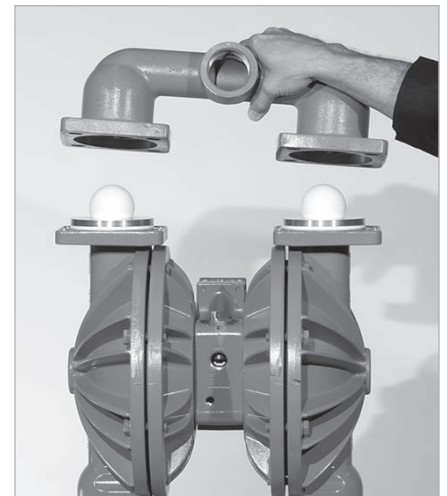
NOTE: The model photographed for these instructions incorporates rubber diaphragms, balls and seats. Models may vary depending on materials of construction, elastomer options and specialty codes selected.

**Step 1**

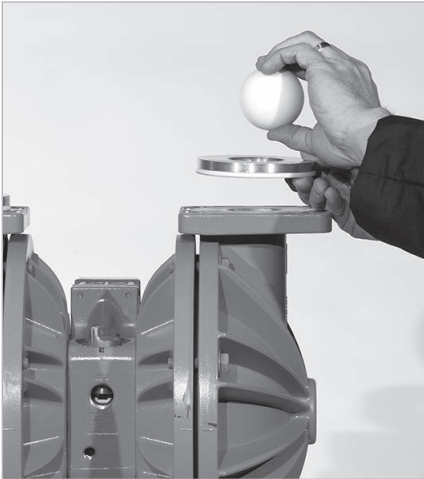
Please note alignment marks on liquid chambers. Use to properly align center section to liquid chambers.

**Step 2**

Using an appropriately-sized wrench, loosen the discharge manifold from the liquid chambers.

**Step 3**

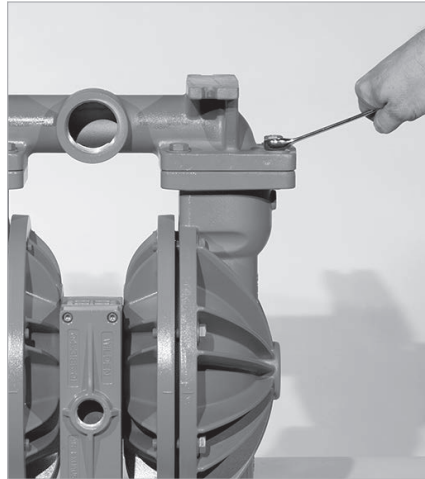
Remove the discharge manifold to expose the valve balls and valve seats. Inspect ball cage area of manifold for excessive wear or damage.



Step 4

After removing discharge valve balls and valve seats from the discharge manifold and liquid chamber, inspect for nicks, gouges, chemical attack or abrasive wear.

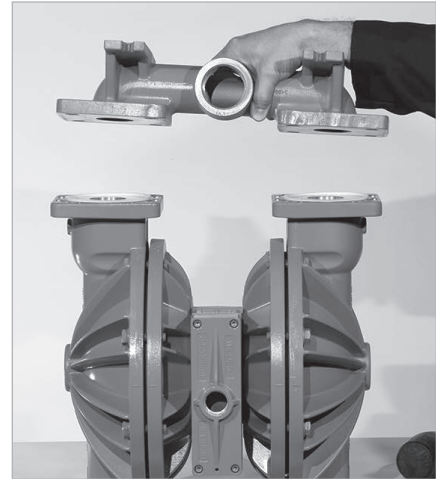
NOTE: Replace worn parts with genuine Wilden parts for reliable performance.



Step 5

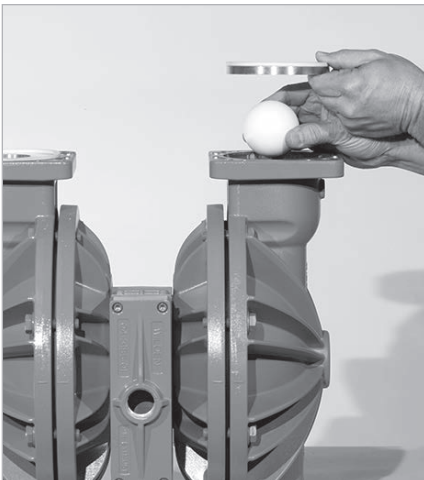
Using an appropriately-sized wrench, loosen the inlet manifold from the liquid chambers.

NOTE: Inverting the pump will facilitate removal of inlet manifold.



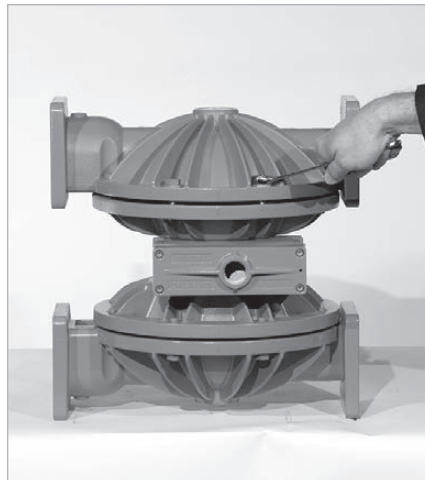
Step 6

Remove the inlet manifold to expose the valve balls and valve seats.



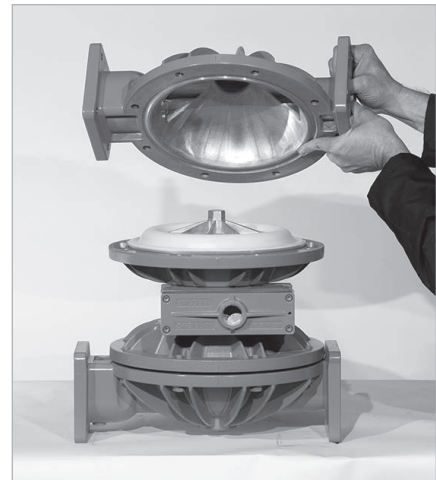
Step 7

Remove the inlet valve balls and valve seats from the inlet manifold and inspect for nicks, gouges, chemical attack or abrasive wear.



Step 8

Using an appropriately-sized wrench, remove the liquid chamber from the center section.



Step 9

The liquid chamber should be removed to expose the diaphragm and outer piston using an adjustable wrench. Remove the diaphragm assembly from the center section. Repeat for opposite side.



Step 10

After loosening and removing the outer piston, the diaphragm assembly can be disassembled.



Step 11

To remove diaphragm assembly from shaft, secure shaft with soft jaws (a vise fitted with plywood, plastic or other suitable material) to ensure shaft is not nicked, scratched or gouged. Using an adjustable wrench, remove diaphragm assembly from shaft.

AIR VALVE / CENTER SECTION DISASSEMBLY

Tools Required:

- 3/16" Hex-Head Wrench
- 1/4" Hex-Head Wrench
- Snap-Ring Pliers
- O-Ring Pick

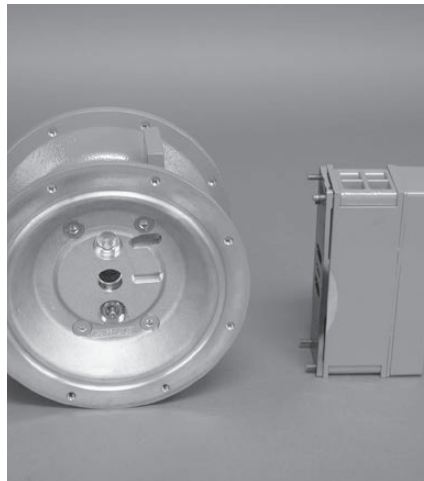
CAUTION: Before any maintenance or repair is attempted, the compressed air line to the pump should be disconnected and all air pressure allowed to bleed from the pump. Disconnect all intake, discharge and air lines. Drain the pump by turning it upside down and allowing any fluid to flow into a suitable container. Be aware of hazardous effects of contact with your process fluid.

The PX820/PX830 FIT metal pump utilizes the Pro-Flo X™ air distribution system. Proprietary composite seals reduce the coefficient of friction and allow the PX820/PX830 to run lube-free. The Pro-Flo X™ air distribution system is designed to perform in on/off, non-freezing, non-stalling, tough duty applications.



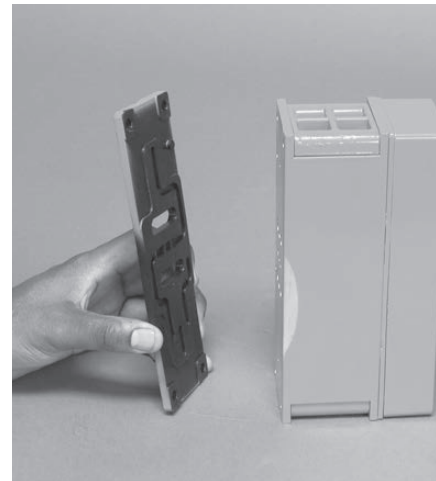
Step 1

Using a 3/16" hex-head wrench, loosen air valve bolts.



Step 2

Remove muffer plate and air valve bolts from air valve assembly exposing muffer gasket for inspection. Replace if necessary.



Step 3

Lift away air valve assembly and remove air valve gasket for inspection. Replace if necessary.

AIR VALVE / CENTER SECTION DISASSEMBLY



Step 4

Remove air valve end cap to expose air valve spool by simply lifting up on end cap once air valve bolts are removed. **NOTE:** Pro-Flo X™ air valve incorporates an end cap at both ends of the air valve.



Step 5

Remove the air valve spool from the air valve body by threading one air valve bolt into the end of the air valve spool and gently sliding the spool out of the air valve body. Inspect seals for signs of wear and replace entire assembly if necessary. Use caution when handling air valve spool to prevent damaging seals. **NOTE:** Seals should not be removed from assembly. Seals are not sold separately.



Step 6

Remove pilot sleeve retaining snap ring on both sides of center section with snap-ring pliers.



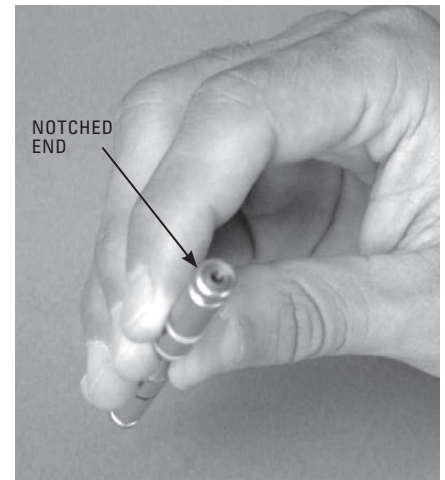
Step 7

Remove pilot spool sleeve from center section.



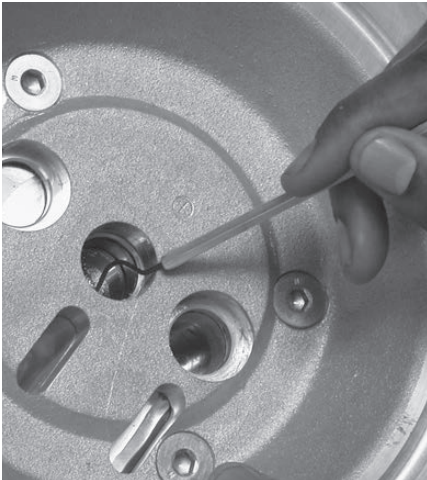
Step 8

Using an O-ring pick, gently remove the O-ring from the opposite side of the notched end on one side of the pilot spool. Gently remove the pilot spool from pilot spool sleeve and inspect for nicks, gouges and wear. Replace pilot sleeve or outer sleeve O-rings if necessary. During re-assembly, never insert the pilot spool into the sleeve with the notched end first, this end incorporates the urethane O-ring and will be damaged as it slides over the ports cut in the sleeve. **NOTE:** Seals should not be removed from pilot spool. Seals are not sold separately.





AIR VALVE / CENTER SECTION DISASSEMBLY

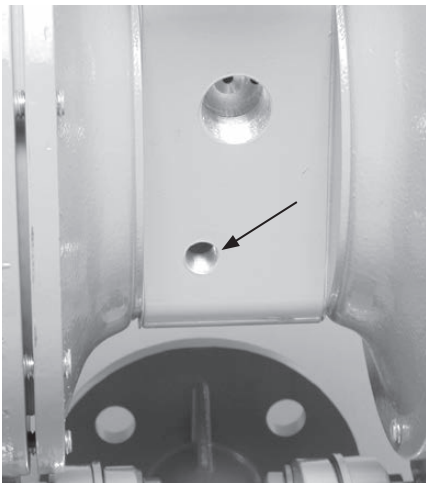


Step 9

Check center section shaft seals for signs of wear. If necessary, remove the shaft seals with O-ring pick and replace.

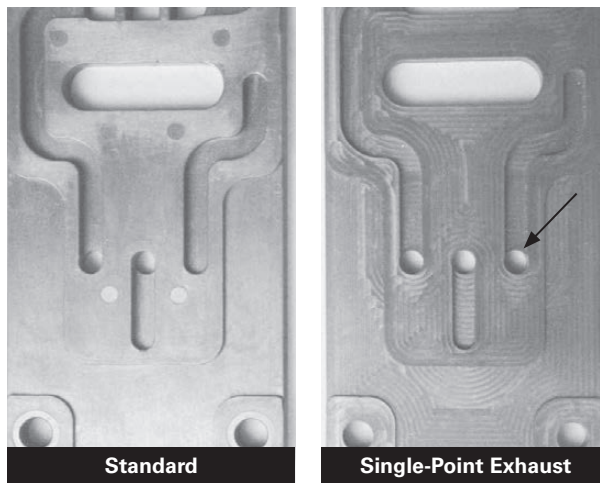


SINGLE-POINT EXHAUST PRO-FLO X™



Step 1

Install a 1/4" NPT pipe plug (00-7010-08) into the pilot spool bleed port located at the front of the center block.



Step 2

Next, install an optional single-point exhaust gasket (04-2621-52). The single-point exhaust gasket can be purchased as a spare part or included with the purchase of a new Pro-Flo X™ pump.

REASSEMBLY HINTS & TIPS

ASSEMBLY:

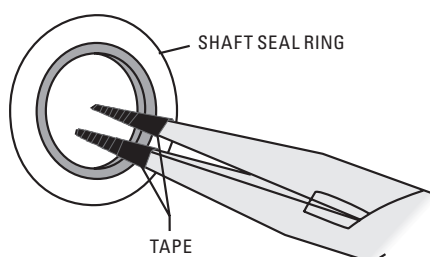
Upon performing applicable maintenance to the air distribution system, the pump can now be reassembled. Please refer to the disassembly instructions for photos and parts placement. To reassemble the pump, follow the disassembly instructions in reverse order. The air distribution system needs to be assembled first, then the diaphragms and finally the wetted path. Please find the applicable torque specifications on this page. The following tips will assist in the assembly process.

- Lubricate air valve bore, center section shaft and pilot spool bore with NLGI grade 2 white EP bearing grease or equivalent.
- Clean the inside of the center section shaft bore to ensure no damage is done to new shaft seals.
- A small amount of NLGI grade 2 white EP bearing grease can be applied to the muffler and air valve gaskets to locate gaskets during assembly.
- Make sure that the exhaust port on the muffler plate is centered between the two exhaust ports on the center section.
- Stainless bolts should be lubed to reduce the possibility of seizing during tightening.
- Use a mallet to tamp lightly on the large clamp bands to seat the diaphragm before tightening.

PRO-FLO X™ MAXIMUM TORQUE SPECIFICATIONS

Description of Part	Torque
Air Valve	13.6 N•m (120 in-lb)
Air Chamber/Center Block	27.1 N•m (20 ft-lb)
Liquid Chamber/Air Chamber, Aluminum Bolted Only	27.1 N•m (20 ft-lb)
Liquid Chamber/Air Chamber, Stainless-Steel Bolted Only	54.2 N•m (40 ft-lb)
Outer Pistons, Rubber & PTFE, Excluding Stainless-Steel Inner Pistons	109 N•m (80 ft-lb)
Outer Pistons, Rubber & PTFE, Stainless-Steel Inner Pistons	119 N•m (88 ft-lb)
Outer Pistons, Ultra-Flex™	74.6 N•m (55 ft-lb)

Figure A



SHAFT SEAL INSTALLATION:

PRE-INSTALLATION

- Once all of the old seals have been removed, the inside of the bushing should be cleaned to ensure no debris is left that may cause premature damage to the new seals.

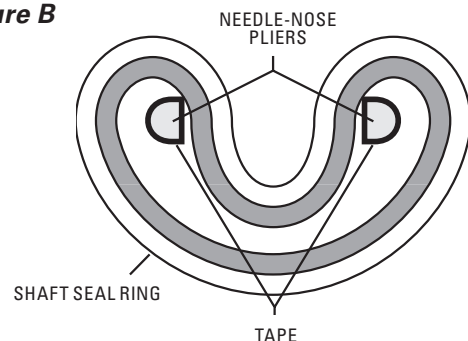
INSTALLATION

The following tools can be used to aid in the installation of the new seals:

Needle-Nose Pliers
Phillips Screwdriver
Electrical Tape

- Wrap electrical tape around each leg of the needle-nose pliers (heat shrink tubing may also be used). This is done to prevent damaging the inside surface of the new seal.
- With a new seal in hand, place the two legs of the needle-nose pliers inside the seal ring. (See Figure A.)
- Open the pliers as wide as the seal diameter will allow, then with two fingers pull down on the top portion of the seal to form kidney shape. (See Figure B.)
- Lightly clamp the pliers together to hold the seal into the kidney shape. Be sure to pull the seal into as tight of a kidney shape as possible, this will allow the seal to travel down the bushing bore easier.
- With the seal clamped in the pliers, insert the seal into the bushing bore and position the bottom of the seal into the correct groove. Once the bottom of the seal is seated in the groove, release the clamp pressure on the pliers. This will allow the seal to partially snap back to its original shape.
- After the pliers are removed, you will notice a slight bump in the seal shape. Before the seal can be properly resized, the bump in the seal should be removed as much as possible. This can be done with either the Phillips screwdriver or your finger. With either the side of the screwdriver or your finger, apply light pressure to the peak of the bump. This pressure will cause the bump to be almost completely eliminated.
- Lubricate the edge of the shaft with NLGI grade 2 white EP bearing grease.
- Slowly insert the center shaft with a rotating motion. This will complete the resizing of the seal.
- Perform these steps for the remaining seal.

Figure B



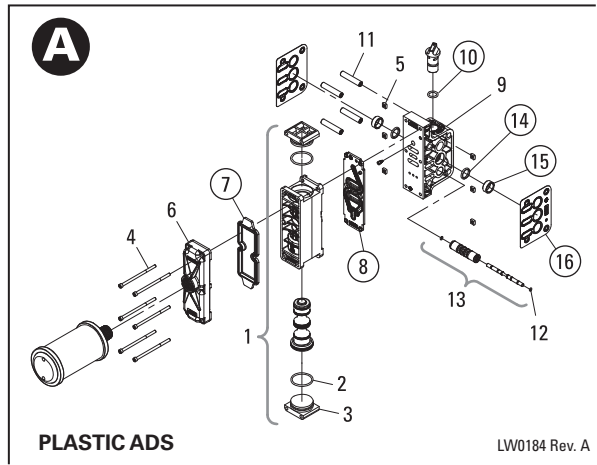
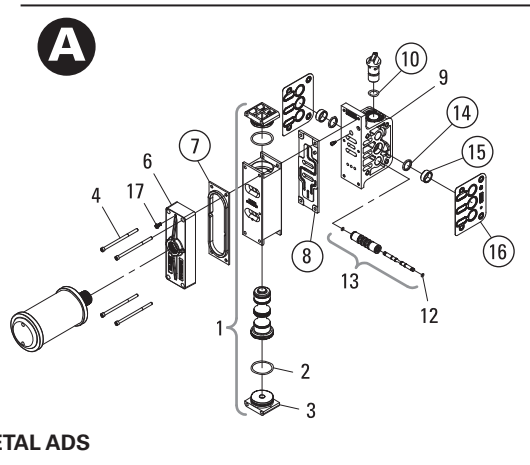
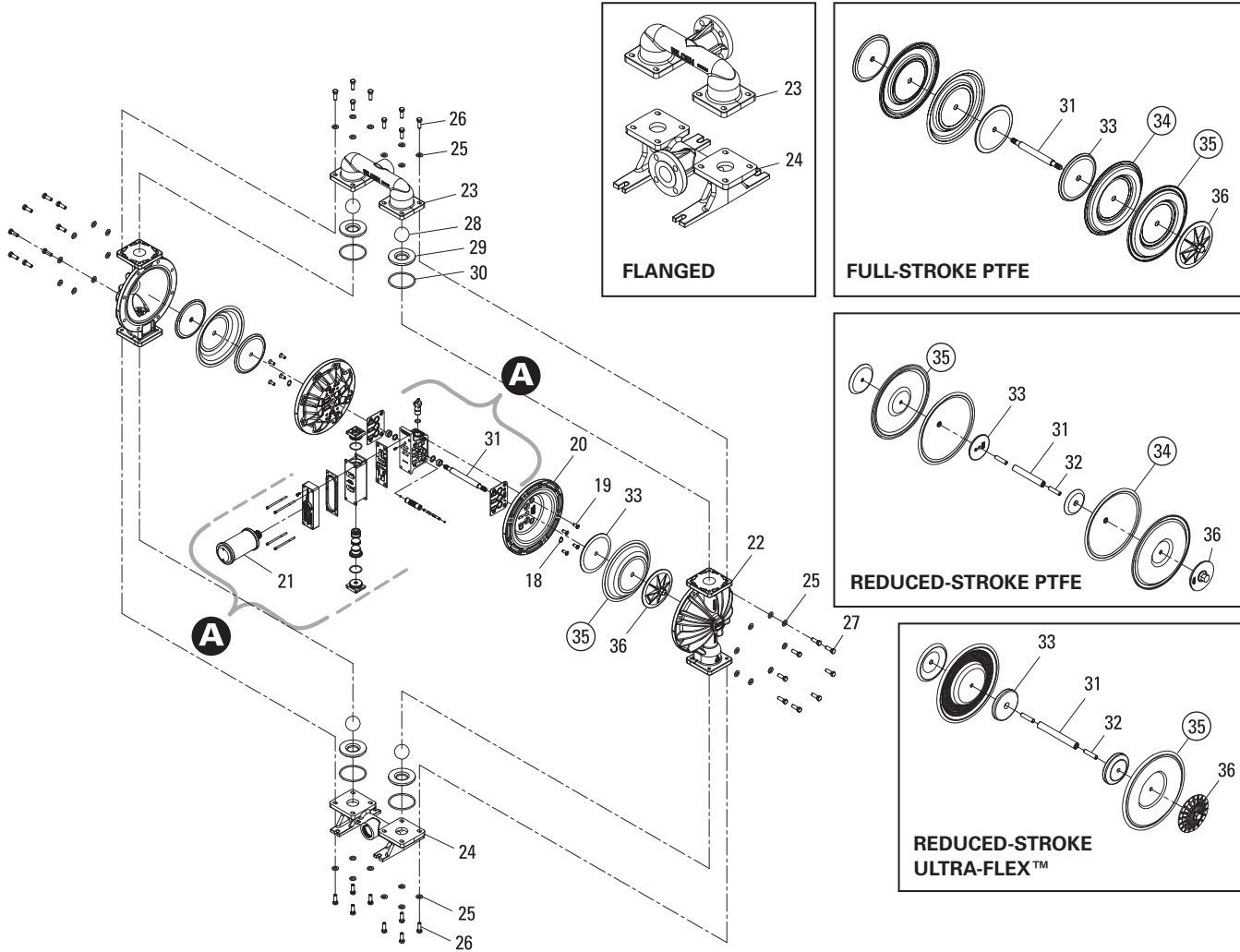


EXPLODED VIEW & PARTS LISTING

PX820/PX830 ALUMINUM

Rubber/TPE/PTFE/Ultra-Flex™-Fitted

EXPLODED VIEW



LW0184 Rev. A

ALL CIRCLED PART IDENTIFIERS ARE INCLUDED IN REPAIR KITS (see Section 9).



EXPLODED VIEW & PARTS LISTING

PX820/PX830 ALUMINUM

Rubber/TPE/PTFE/Ultra-Flex™-Fitted

PARTS LISTING

Item	Description	Qty.	PX820/830/AAAAA/.../ P/N	PX820/830/AAAPP/.../ P/N
AIR DISTRIBUTION COMPONENTS				
1	Pro-Flo V™ Assembly, Air Valve¹	1	04-2030-01	08-2030-20
2	O-Ring (-225), End Cap (Ø1.859 x Ø.139)	2	04-2390-52-700	04-2390-52-700
3	End Cap	2	04-2340-01	04-2330-20-700
4	Screw, SHC, Air Valve (1/4"-20 x 4-1/2")	4	01-6000-03	N/A
	Screw, SHC, Air Valve (1/4"-20 x 4-1/2")	6	N/A	01-6000-03
5	Nut, Square (1/4"-20)	6	N/A	00-6505-03
6	Muffler Plate, Pro-Flo V™	1	04-3185-01	08-3185-20
7	Gasket, Muffler Plate, Pro-Flo V™	1	04-3502-52	08-3502-52
8	Gasket, Air Valve, Pro-Flo V™	1	04-2620-52	08-2620-52
9	Center Block Assembly, Pro-Flo X™ ²	1	08-3126-01	08-3126-20
10	O-Ring (-210), Adjuster (Ø.734" x Ø.139")	1	02-3200-52	02-3200-52
11	Sleeve, Threaded, Center Block	4	N/A	04-7710-08
12	O-Ring (-009) Pilot Spool Retaining (Ø.208 x Ø.070)	2	04-2650-49-700	04-2650-49-700
13	Pilot Sleeve Assembly	1	04-3880-99	04-3880-99
14	Shaft Seal	2	08-3210-55-225	08-3210-55-225
15	Bushing, Shaft	2	08-3306-13	08-3306-13
16	Gasket, Center Block Pro-Flo V™	2	04-3529-52	04-3529-52
17	Screw, 10-32 X .50 Self-Tapping Grounding	1	04-6345-08	N/A
18	Retaining Ring	2	04-3890-03	04-3890-03
19	Screw, HSFHS (3/8"-16 x 1")	8	71-6250-08	71-6250-08
20	Air Chamber, Pro-Flo X™ Drop-In	2	08-3694-01	08-3694-01
21	Muffler 1"	1	15-3510-99R	15-3510-99R
WETTED PATH COMPONENTS				
22	Liquid Chamber, Bolted	2	08-5015-01	08-5015-01
23	Manifold, Discharge (NPT)	1	08-5035-01	08-5035-01
	Manifold, Discharge (BSPT)	1	08-5036-01	08-5036-01
	Manifold, Discharge (ANSI)	1	08-5045-01	08-5045-01
	Manifold, Discharge (DIN)	1	08-5046-01	08-5046-01
24	Manifold, Inlet (NPT)	1	08-5095-01	08-5095-01
	Manifold, Inlet (BSPT)	1	08-5096-01	08-5096-01
	Manifold, Inlet (ANSI)	1	08-5125-01	08-5125-01
	Manifold, Inlet (DIN)	1	08-5126-01	08-5126-01
25	Washer, Flat (Ø.531" x Ø1.062" x .095")	32	04-6730-08	04-6730-08
26	Screw, HHC (1/2"-13 x 1-3/4")	16	08-6190-08	08-6190-08
27	Screw, HHC (1/2"-13 x 2")	16	04-6210-08	04-6210-08
VALVE BALLS/VALVE SEATS/VALVE O-RINGS				
28	Ball, Valve	4	*	*
	Ball, Valve, Full/Reduced-Stroke PTFE Fitted	4	08-1080-55	08-1080-55
29	Seat, Valve	4	*	*
	Seat, Valve, Full/Reduced-Stroke PTFE Fitted	4	*	*
30	O-Ring (-347) Valve Seat (Ø4.225 x Ø.210) Full/Reduced-Stroke PTFE Fitted	4	08-1209-55	08-1209-55

LW0185 Rev. A

*Refer to Elastomer Chart

¹Air Valve Assembly includes items 2 and 3.

²Metal Center Block Assembly includes item 10, 14 and 15. Plastic Center Block Assembly includes 5, 10, 11, 14 and 15.

All boldface items are primary wear parts.



EXPLODED VIEW & PARTS LISTING, CONT.

PX820/PX830 ALUMINUM

Rubber/TPE/PTFE/Ultra-Flex™-Fitted

PARTS LISTING

Item	Description	Qty.	PX820/830/AAAAA/.../ P/N	PX820/830/AAAPP/.../ P/N
FULL-STROKE RUBBER/TPE/COMPONENTS				
31	Shaft	1	08-3810-09	08-3810-09
33	Piston, Inner (Non-PTFE)	2	08-3700-01	08-3700-01
35	Diaphragm, Primary	2	*	*
36	Piston, Outer (Non-PTFE)	2	08-4550-01	08-4550-01
FULL-STROKE PTFE COMPONENTS				
31	Shaft	1	08-3812-03	08-3812-03
33	Piston, Inner (Non-PTFE)	2	08-3700-01	08-3700-01
34	Diaphragm, Full Stroke PTFE Back-up	2	*	*
35	Diaphragm, Full Stroke PTFE Primary	2	08-1040-55-42	08-1040-55-42
36	Piston, Outer (Non-PTFE)	2	08-4550-01	08-4550-01
REDUCED-STROKE ULTRA-FLEX™ COMPONENTS				
31	Shaft, Pro-Flo™, Ultra-Flex™, SS	1	08-3841-03	08-3841-03
32	Shaft Stud, 1/2"-20 X 1-7/8"	2	08-6150-08	08-6150-08
33	Piston, Inner, P8 (Ultra-Flex™)	2	08-3761-01	08-3761-01
35	Diaphragm, Primary, Ultra-Flex™	2	*	*
36	Piston, Outer, Ultra-Flex™	2	04-4552-01	04-4552-01
REDUCED-STROKE PTFE COMPONENTS				
31	Shaft, Pro-Flo™	1	08-3840-09	08-3840-09
32	Shaft Stud, 1/2"-20 X 2-1/8"	2	08-6152-08	08-6152-08
33	Piston, Inner, PTFE	2	08-3750-01	08-3750-01
34	Diaphragm, Back-up	2	*	*
35	Diaphragm, Primary PTFE	2	08-1010-55-42	08-1010-55-42
36	Piston, Outer, PTFE	2	08-4600-01	08-4600-01

LW0185 Rev. A

*Refer to Elastomer Chart

¹Air Valve Assembly includes items 2 and 3.

²Metal Center Block Assembly includes item 10, 14 and 15. Plastic Center Block Assembly includes 5, 10, 11, 14 and 15.

All boldface items are primary wear parts.

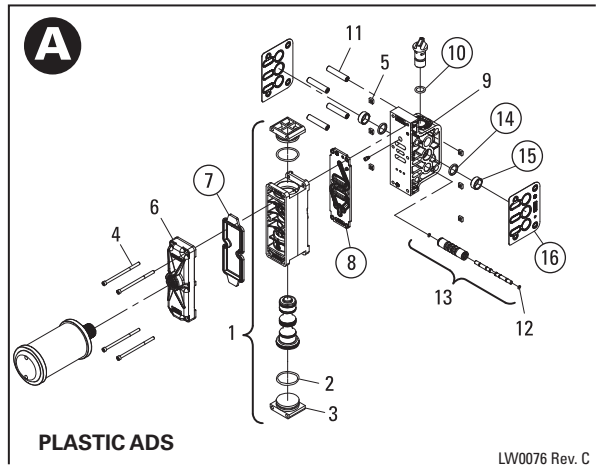
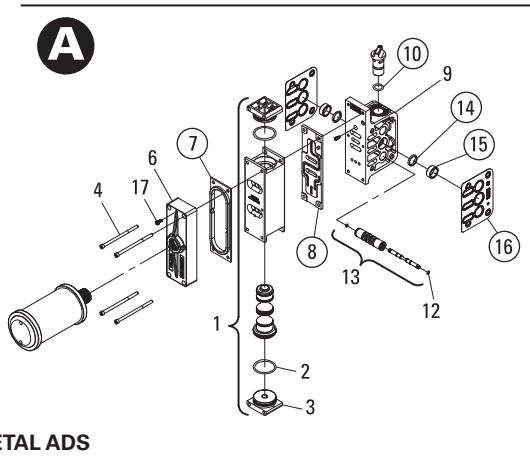
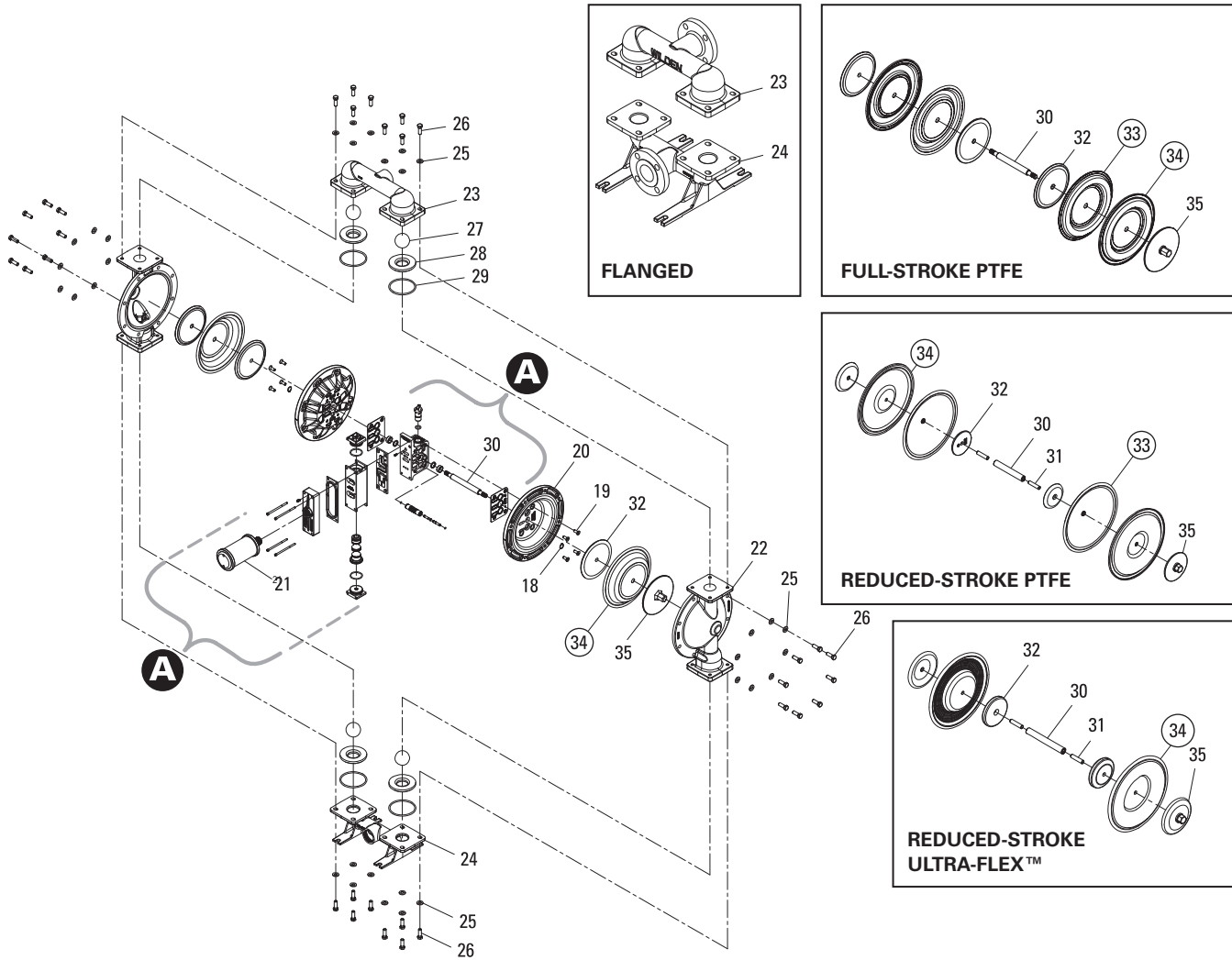
NOTES

EXPLODED VIEW & PARTS LISTING

PX820/PX830 STAINLESS STEEL

Rubber/TPE/PTFE/Ultra-Flex™

EXPLODED VIEW



LW0076 Rev. C

ALL CIRCLED PART IDENTIFIERS ARE INCLUDED IN REPAIR KITS (see Section 9).



EXPLODED VIEW & PARTS LISTING

PX820/PX830 STAINLESS STEEL

Rubber/TPE/PTFE/Ultra-Flex™

PARTS LISTING

Item	Description	Qty.	PX820/830/SSAAA/.../ P/N	PX820/830/SSSSS/.../ P/N	PX820/830/SSSPP/.../ P/N
AIR DISTRIBUTION COMPONENTS					
1	Pro-Flo V™ Assembly, Air Valve ¹	1	04-2030-01	04-2030-03	08-2030-20
2	O-Ring (-225), End Cap (Ø1.859 x Ø.139)	2	04-3290-52-700	04-3290-52-700	04-3290-52-700
3	End Cap	2	04-2340-01	04-2340-03	04-2330-20-700
4	Screw, SHC, Air Valve (1/4"-20 x 4-1/2")	4	01-6000-03	01-6000-03	N/A
	Screw, SHC, Air Valve (1/4"-20 x 4-1/2")	6	N/A	N/A	01-6000-03
5	Nut, Square (1/4"-20)	6	N/A	N/A	00-6505-03
6	Muffler Plate, Pro-Flo V™	1	04-3185-01	04-3185-03	08-3185-20
7	Gasket, Muffler Plate, Pro-Flo V™	1	04-3502-52	04-3502-52	08-3502-52
8	Gasket, Air Valve, Pro-Flo V™	1	04-2620-52	04-2620-52	08-2620-52
9	Center Block Assembly, Pro-Flo X™ ²	1	08-3126-01	08-3126-03	08-3126-20
10	O-Ring (-210), Adjuster (Ø.734" x Ø.139")	1	02-3200-52	02-3200-52	02-3200-52
11	Sleeve, Threaded, Center Block	4	N/A	N/A	04-7710-08
12	O-Ring (-009) Pilot Spool Retaining (Ø.208 x Ø.070)	2	04-2650-49-700	04-2650-49-700	04-2650-49-700
13	Pilot Sleeve Assembly	1	04-3880-99	04-3880-99	04-3880-99
14	Shaft Seal	2	08-3210-55-225	08-3210-55-225	08-3210-55-225
15	Bushing, Shaft	2	08-3306-13	08-3306-13	08-3306-13
16	Gasket, Center Block Pro-Flo V™	2	04-3529-52	04-3529-52	04-3529-52
17	Screw, 10-32 X .50 Self-Tapping Grounding	1	04-6345-08	04-6345-08	N/A
18	Retaining Ring	2	04-3890-03	04-3890-03	04-3890-03
19	Screw, HSFHS (3/8"-16 x 1")	8	71-6250-08	71-6250-03	71-6250-03
20	Air Chamber, Pro-Flo X™ Drop-In	2	08-3694-01	08-3698-03	08-3698-03
21	Muffler 1"	1	15-3510-99R	15-3510-99R	15-3510-99R
WETTED PATH COMPONENTS					
22	Liquid Chamber, Bolted	2	08-5015-03	08-5015-03	08-5015-03
23	Manifold, Discharge (NPT)	1	08-5035-03	08-5035-03	08-5035-03
	Manifold, Discharge (BSPT)	1	08-5036-03	08-5036-03	08-5036-03
	Manifold, Discharge (ANSI)	1	08-5045-03	08-5045-03	08-5045-03
	Manifold, Discharge (DIN)	1	08-5046-03	08-5046-03	08-5046-03
24	Manifold, Inlet (NPT)	1	08-5095-03	08-5095-03	08-5095-03
	Manifold, Inlet (BSPT)	1	08-5096-03	08-5096-03	08-5096-03
	Manifold, Inlet (ANSI)	1	08-5125-03	08-5125-03	08-5125-03
	Manifold, Inlet (DIN)	1	08-5126-03	08-5126-03	08-5126-03
25	Washer, Flat (Ø.531" x Ø1.062" x .095")	32	04-6730-03	04-6730-03	04-6730-03
26	Screw, HHC (1/2"-13 x 1-1/2")	32	N/A	04-6180-03	04-6180-03
	SCREW, HHC (1/2"-13 X 2")	16	04-6210-03	N/A	N/A
	SCREW, HHC (1/2"-13 X 1-1/2")	16	04-6180-03	N/A	N/A
VALVE BALLS/VALVE SEATS/VALVE O-RINGS					
27	Ball, Valve	4	*	*	*
	Ball, Valve, Full/Reduced-Stroke PTFE Fitted	4	08-1080-55	08-1080-55	08-1080-55
28	Seat, Valve	4	*	*	*
	Seat, Valve, Full/Reduced-Stroke PTFE Fitted	4	08-1129-03	08-1129-03	08-1129-03
29	O-Ring (-347) Valve Seat (Ø4.225 x Ø.210) Full/Reduced-Stroke PTFE Fitted	4	08-1209-55	08-1209-55	08-1209-55

LW0077 Rev. B

*See elastomer chart - Section 9

¹Air Valve Assembly includes items 2 and 3.

²Metal Center Block Assembly includes items 10, 14 and 15. Plastic Center Block Assembly includes items 5, 10, 11, 14 and 15.

All boldface items are primary wear parts.



EXPLODED VIEW & PARTS LISTING, CONT.

PX820/PX830 STAINLESS STEEL

Rubber/TPE/PTFE/Ultra-Flex™

PARTS LISTING

Item	Description	Qty.	PX820/830/SSAAA/.../ P/N	PX820/830/SSSSS/.../ P/N	PX820/830/SSSPP/.../ P/N
FULL-STROKE RUBBER/TPE/COMPONENTS					
30	Shaft	1	08-3810-09	08-3810-09	08-3810-09
32	Piston, Inner (Non-PTFE)	2	08-3700-01	08-3700-03	08-3700-03
34	Diaphragm, Primary	2	*	*	*
35	Piston, Outer (Non-PTFE)	2	08-4550-03	08-4550-03	08-4550-03
FULL-STROKE PTFE COMPONENTS					
30	Shaft	1	08-3812-03	08-3812-03	08-3812-03
32	Piston, Inner (Non-PTFE)	2	08-3700-01	08-3700-03	08-3700-03
33	Diaphragm, Full Stroke PTFE Back-up	2	*	*	*
34	Diaphragm, Full Stroke PTFE Primary	2	08-1040-55-42	08-1040-55-42	08-1040-55-42
35	Piston, Outer (Non-PTFE)	2	08-4550-03	08-4550-03	08-4550-03
REDUCED-STROKE ULTRA-FLEX™ COMPONENTS					
30	Shaft, Pro-Flo™, Ultra-Flex™, SS	1	08-3841-03	08-3841-03	08-3841-03
31	Shaft Stud, 1/2"-20 X 1-7/8"	2	08-6150-08	08-6150-08	08-6150-08
32	Piston, Inner, P8 (Ultra-Flex™)	2	08-3761-01	08-3761-01	08-3761-01
34	Diaphragm, Primary, Ultra-Flex™	2	*	*	*
35	Piston, Outer, Ultra-Flex™	2	04-4550-03	04-4550-03	04-4550-03
REDUCED-STROKE PTFE COMPONENTS					
30	Shaft, Pro-Flo™	1	08-3840-09	08-3840-09	08-3840-09
31	Shaft Stud, 1/2"-20 X 2-1/8"	2	08-6152-08	08-6152-08	08-6152-08
32	Piston, Inner, PTFE	2	08-3750-01	08-3752-03	08-3752-03
33	Diaphragm, Back-Up	2	*	*	*
34	Diaphragm, Primary PTFE	2	08-1010-55-42	08-1010-55-42	08-1010-55-42
35	Piston, Outer, PTFE	2	08-4600-03	08-4600-03	08-4600-03

LW0077 Rev. B

*See elastomer chart - Section 9

¹Air Valve Assembly includes items 2 and 3.

²Metal Center Block Assembly includes items 10, 14 and 15. Plastic Center Block Assembly includes items 5, 10, 11, 14 and 15.

All boldface items are primary wear parts.



ELASTOMER OPTIONS

PX820/PX830 ALUMINUM

MATERIAL	DIAPHRAGMS (Color Code)	REDUCED-STROKE BACKUP DIAPHRAGMS (Color Code)	ULTRA-FLEX™ DIAPHRAGMS (Color Code)	FULL-STROKE DIAPHRAGMS (Color Code)	FULL-STROKE BACKUP DIAPHRAGMS (Color Code)
Polyurethane	08-1010-50 (clear)	N/A	N/A	N/A	N/A
Neoprene	08-1010-51 (green dot)	08-1060-51 (green dot)	08-1020-51 (green dot)	N/A	N/A
Buna-N®	08-1010-52 (red dot)	N/A	08-1020-52 (red dot)	N/A	N/A
Viton®	08-1010-53 (white dot)	N/A	08-1020-53 (white dot)	N/A	N/A
Nordel (EPDM)	08-1010-54 (blue dot)	08-1060-54 (blue dot)	08-1020-54 (blue dot)	N/A	N/A
Geolast	N/A	N/A	N/A	N/A	N/A
PTFE	08-1010-55-42 (white)	N/A	N/A	08-1040-55-42 (white)	N/A
Saniflex™	08-1010-56 (cream)	08-1060-56 (cream)	N/A	N/A	08-1065-56 (cream)
Wil-Flex™	08-1010-58 (orange dot)	N/A	N/A	N/A	N/A
FDA Wil-Flex™	N/A	N/A	N/A	N/A	08-1065-57 (2 orange dots)
Aluminum	N/A	N/A	N/A	N/A	N/A
Stainless Steel	N/A	N/A	N/A	N/A	N/A

¹Utilized in conjunction with metallic seat.
Backup diaphragms used with PTFE diaphragms only.

LW0185 Rev. A

PX820/PX830 ALUMINUM CONT.

MATERIAL	EZ-INSTALL DIAPHRAGMS (Color Code)	VALVE BALLS (Color Code)	VALVE SEATS (Color Code)	VALVE SEAT O-RINGS (4)
Polyurethane	08-1022-50 (clear)	08-1080-50 (brown)	08-1128-50 (clear)	N/A
Neoprene	N/A	08-1080-51 (green dot)	08-1128-51 (green dot)	N/A
Buna-N®	N/A	08-1080-52 (red dot)	08-1128-52 (red dot)	N/A
Viton®	N/A	08-1080-53 (white dot)	08-1128-53 (white dot)	N/A
Nordel (EPDM)	N/A	08-1080-54 (blue dot)	08-1128-54 (blue dot)	N/A
Geolast	08-1022-15	N/A	N/A	N/A
PTFE	N/A	08-1080-55 (white)	N/A	08-1209-55 ¹
Saniflex™	08-1022-56 (cream)	08-1080-56 (cream)	08-1128-56 (cream)	N/A
Wil-Flex™	08-1022-58 (orange dot)	08-1080-58 (orange dot)	08-1128-58 (orange dot)	N/A
FDA Wil-Flex™	08-1022-57 (2 orange dots)	08-1080-57 (2 orange dots)	08-1128-57 (2 orange dots)	N/A
Aluminum	N/A	N/A	08-1129-01	N/A
Stainless Steel	N/A	N/A	08-1129-03	N/A

¹Utilized in conjunction with metallic seat.
Backup diaphragms used with PTFE diaphragms only.

LW0185 Rev. A



ELASTOMER OPTIONS

PX820/PX830 STAINLESS STEEL

MATERIAL	DIAPHRAGMS (Color Code)	REDUCED- STROKE BACKUP DIAPHRAGMS (Color Code)	FULL-STROKE BACKUP DIAPHRAGMS (Color Code)	ULTRA-FLEX™ DIAPHRAGMS (Color Code)	VALVE BALLS (Color Code)	VALVE SEATS (Color Code)	VALVE SEAT O-RINGS (Color Code)
Polyurethane	08-1010-50 (clear)	N/A	N/A	N/A	08-1080-50 (brown)	08-1128-50 (clear)	N/A
	08-1022-50 (clear)						
Neoprene	08-1010-51 (green dot)	08-1060-51 (green dot)	N/A	08-1020-51 (green dot)	08-1080-51 (green dot)	08-1128-51 (green dot)	N/A
Buna-N®	08-1010-52 (red dot)	N/A	N/A	08-1020-52 (red dot)	08-1080-52 (red dot)	08-1128-52 (red dot)	N/A
Viton®	08-1010-53 (white dot)	N/A	N/A	08-1020-53 (white dot)	08-1080-53 (white dot)	08-1128-53 (white dot)	N/A
Nordel (EPDM)	08-1010-54 (blue dot)	08-1060-54 (blue dot)	N/A	08-1020-54 (blue dot)	08-1080-54 (blue dot)	08-1128-54 (blue dot)	N/A
Geolast®	08-1022-15	N/A	N/A	N/A	N/A	N/A	N/A
Teflon® PTFE	08-1010-55-42 (white)	N/A	N/A	N/A	08-1080-55 (white)	N/A	08-1209-55 ¹
Full-Stroke PTFE	08-1040-55-42 (white)	N/A	N/A	N/A	N/A	N/A	08-1209-55 ¹
Saniflex™	08-1010-56 (cream)	08-1060-56 (cream)	08-1065-56 (cream)	N/A	08-1080-56 (cream)	08-1128-56 (cream)	N/A
	08-1022-56 (cream)						
Wil-Flex™	08-1010-58 (orange dot)	N/A	N/A	N/A	08-1080-58 (orange dot)	08-1128-58 (orange dot)	N/A
	08-1022-58 (orange dot)						
FDA Wil-Flex™	08-1022-57 (2 orange dots)	N/A	08-1065-57 (2 orange dots)	N/A	08-1080-57 (2 orange dots)	08-1128-57 (2 orange dots)	N/A
Stainless Steel	N/A	N/A	N/A	N/A	N/A	08-1129-03	N/A

¹Used in conjunction with metallic valve seat.

NOTES

NOTES

WARRANTY

Each and every product manufactured by Wilden Pump and Engineering, LLC is built to meet the highest standards of quality. Every pump is functionally tested to insure integrity of operation.

Wilden Pump and Engineering, LLC warrants that pumps, accessories and parts manufactured or supplied by it to be free from defects in material and workmanship for a period of five (5) years from date of installation or six (6) years from date of manufacture, whichever comes first. Failure due to normal wear, misapplication, or abuse is, of course, excluded from this warranty.

Since the use of Wilden pumps and parts is beyond our control, we cannot guarantee the suitability of any pump or part for a particular application and Wilden Pump and Engineering, LLC shall not be liable for any consequential damage or expense arising from the use or misuse of its products on any application. Responsibility is limited solely to replacement or repair of defective Wilden pumps and parts.

All decisions as to the cause of failure are the sole determination of Wilden Pump and Engineering, LLC.

Prior approval must be obtained from Wilden for return of any items for warranty consideration and must be accompanied by the appropriate MSDS for the product(s) involved. A Return Goods Tag, obtained from an authorized Wilden distributor, must be included with the items which must be shipped freight prepaid.

The foregoing warranty is exclusive and in lieu of all other warranties expressed or implied (whether written or oral) including all implied warranties of merchantability and fitness for any particular purpose. No distributor or other person is authorized to assume any liability or obligation for Wilden Pump and Engineering, LLC other than expressly provided herein.

PLEASE PRINT OR TYPE AND FAX TO WILDEN

PUMP INFORMATION			
Item # _____		Serial # _____	
Company Where Purchased _____			
YOUR INFORMATION			
Company Name _____			
Industry _____			
Name _____		Title _____	
Street Address _____			
City _____	State _____	Postal Code _____	Country _____
Telephone _____	Fax _____	E-mail _____	Web Address _____
Number of pumps in facility? _____		Number of Wilden pumps? _____	
Types of pumps in facility (check all that apply): <input type="checkbox"/> Diaphragm <input type="checkbox"/> Centrifugal <input type="checkbox"/> Gear <input type="checkbox"/> Submersible <input type="checkbox"/> Lobe			
<input type="checkbox"/> Other _____			
Media being pumped? _____			
How did you hear of Wilden Pump? <input type="checkbox"/> Trade Journal <input type="checkbox"/> Trade Show <input type="checkbox"/> Internet/E-mail <input type="checkbox"/> Distributor			
<input type="checkbox"/> Other _____			

ONCE COMPLETE, FAX TO (909) 783-3440

OR GO TO PSGDOVER.COM > WILDEN > SUPPORT TO COMPLETE THE WARRANTY REGISTRATION ONLINE

NOTE: WARRANTY VOID IF PAGE IS NOT FAXED TO WILDEN OR SUBMITTED ONLINE VIA THE PSGDOVER.COM WEBSITE

WILDEN PUMP & ENGINEERING, LLC

Where Innovation Flows



PSG reserves the right to modify the information and illustrations contained in this document without prior notice. This is a non-contractual document. 06-2017

WILDEN®

PSG

22069 Van Buren St., Grand Terrace, CA 92313-5607

P: +1 (909) 422-1730 • F: +1 (909) 783-3440

wildenpump.com

Authorized PSG Representative:

Copyright ©2017, PSG, A Dover Company